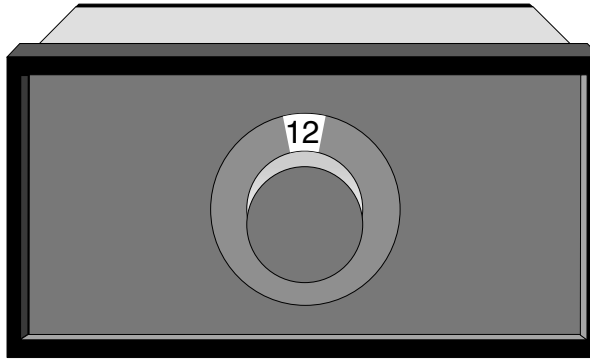


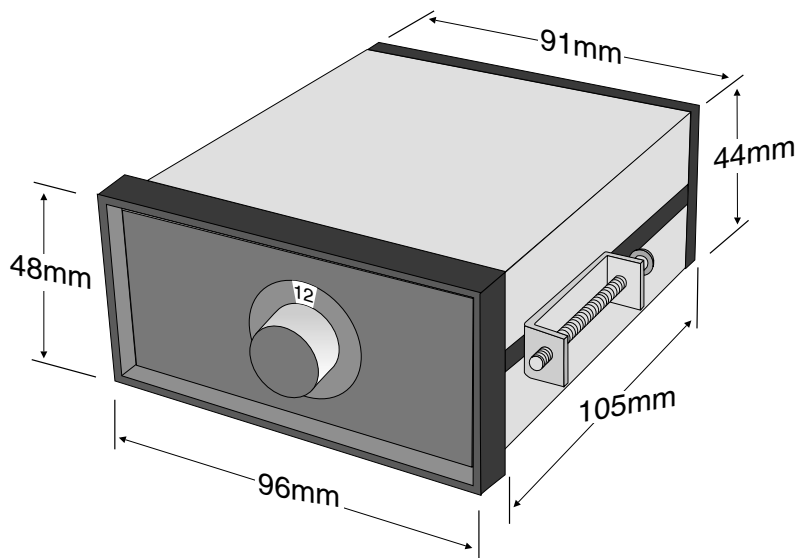
PMSW12
12 Position Selector Switch
Operation and Instruction Manual

1.1 Introduction



The PMSW12 selector switch is available with either make before break (for thermocouples) or break before make (RTD's, current and voltage loops) switch contacts. Great care has been taken in the design of this product to provide a switch with very low thermal errors. Special versions of the PMSW12 are available for 4-20mA current loops - the internal zener diodes maintain continuous loop integrity for all inputs, even when the loop is not selected. For applications requiring less than 12 position, the selector switch may be supplied with the internal switch stop ring pre-set to the required number of positions. The PMSW12 is an ideal accessory for the PM4 & PM6 range of panel meters - providing consistency of appearance and panel mount installation.

Mechanical Dimensions



Specifications

Switch type:	Double pole 12 way
Contact resistance:	50 milliOhms (max)
Contact rating:	500mA, 125V AC/DC
Operating life:	10,000 cycles (min)
Weight:	400 grams

Order Code

PMSW12-MBB, 12 way make before break
PMSW12-BBM, 12 way break before make
Models with internal zener diodes
PMSW12-Z6-BBM suitable for 4-20mA loops where input voltage drop is less than 6V at 20mA.

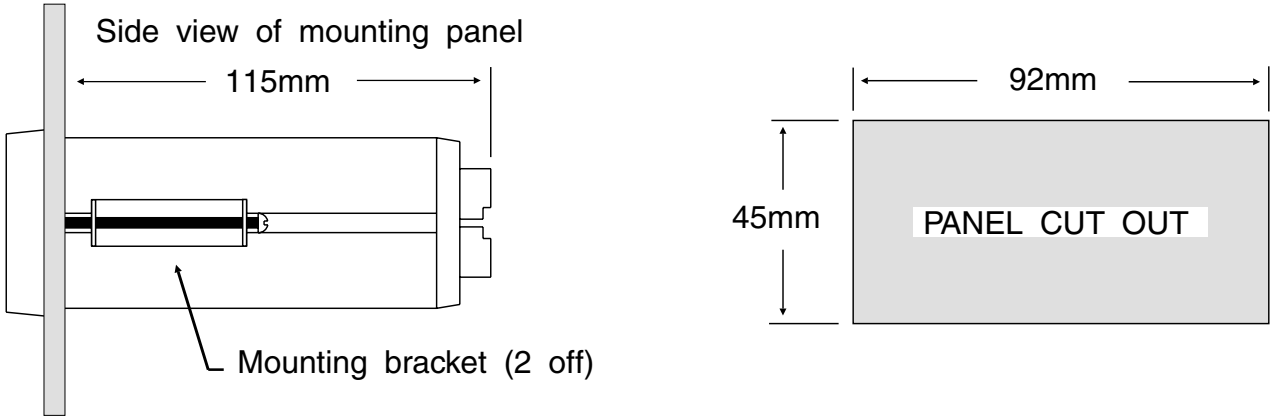
Other zener models available to order.

When ordering - Please specify the number of pre-set switch positions (circuits), when other than 12 way is required. Also please specify if (special) legend is required on the front panel

2.1 Installation

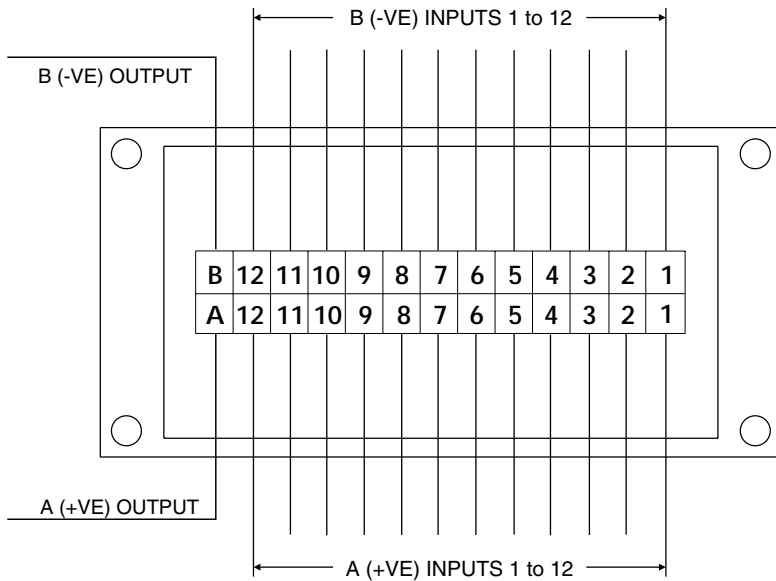
Mechanical

Prepare a panel cut out of 45mm x 92mm +1 mm / -0 mm (see diagram below). Insert the instrument into the cut out from the front of the panel. Then from the rear of the instrument, fit the two mounting brackets into the recess provided (see diagram below). Whilst holding the bracket in place, tighten the securing screws being careful not to over-tighten, as this may damage the instrument.
 Hint: use the elastic band provided to hold the mounting bracket in place whilst tightening securing screws.



Electrical

The terminal blocks allow for wires of up to 1.5mm to be fitted. Connect the wires to the appropriate terminals as indicated below. For thermocouple applications use thermocouple cable to the selector switch inputs and also from the switch selector output to the measuring instrument.

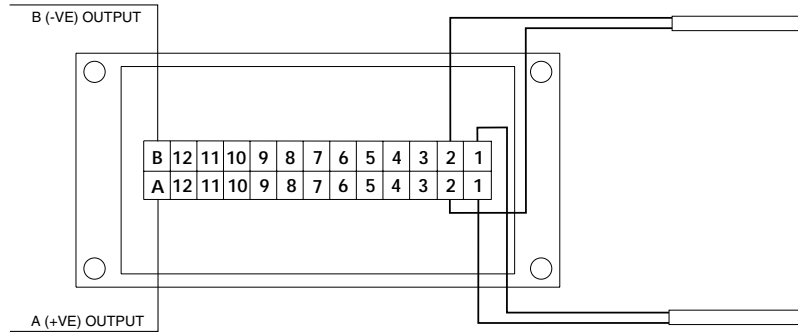


Instrument Rear Terminations

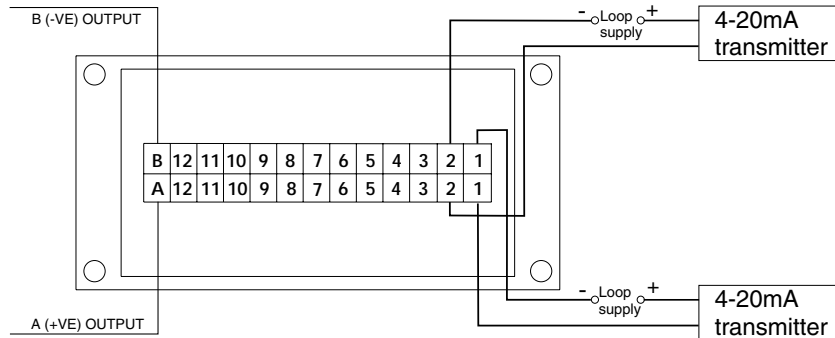
B	OUTPUT	-VE	A	OUTPUT	+VE
12	INPUT 12	-VE	12	INPUT 12	+VE
11	INPUT 11	-VE	11	INPUT 11	+VE
10	INPUT 10	-VE	10	INPUT 10	+VE
9	INPUT 9	-VE	9	INPUT 9	+VE
8	INPUT 8	-VE	8	INPUT 8	+VE
7	INPUT 7	-VE	7	INPUT 7	+VE
6	INPUT 6	-VE	6	INPUT 6	+VE
5	INPUT 5	-VE	5	INPUT 5	+VE
4	INPUT 4	-VE	4	INPUT 4	+VE
3	INPUT 3	-VE	3	INPUT 3	+VE
2	INPUT 2	-VE	2	INPUT 2	+VE
1	INPUT 1	-VE	1	INPUT 1	+VE

Instrument Data Label

Electrical connection examples



Two temperature sensors connected to inputs 1 & 2



Two 4-20mA inputs connected to inputs 1 & 2

Guarantee & Service

The product supplied with this manual is guaranteed against faulty workmanship for a period of 2 years from the date of dispatch.

Our obligation assumed under this guarantee is limited to the replacement of parts which, by our examination, are proved to be defective and have not been misused, carelessly handled, defaced or damaged due to incorrect installation. This guarantee is VOID where the unit has been opened, tampered with or if repairs have been made or attempted by anyone except an authorised representative of the manufacturing company.

Products for attention under guarantee (unless otherwise agreed) **must be returned to the manufacturer freight paid** and, if accepted for free repair, will be returned to the customers address in Australia free of charge.

When returning the product for service or repair a full description of the fault and the mode of operation used when the product failed must be given.

In any event the manufacturer has no other obligation or liability beyond replacement or repair of this product.

Modifications may be made to any existing or future models of the unit as it may deem necessary without incurring any obligation to incorporate such modifications in units previously sold or to which this guarantee may relate.

This document is the property of
the instrument manufacturer
and may not be reproduced in whole or part without the written
consent of the manufacturer.

This product is designed and manufactured in Australia.

