

**Model LD5–TC8 and LE5-TC8  
8 Channel Thermocouple Input  
Display/Controller  
Operation and Instruction Manual**

---

*AMALGAMATED INSTRUMENT CO*

*Unit 5, 28 Leighton Place Hornsby  
NSW 2077 Australia*

*Telephone: +61 2 9476 2244  
Facsimile: +61 2 9476 2902*

*ABN: 80 619 963 692*

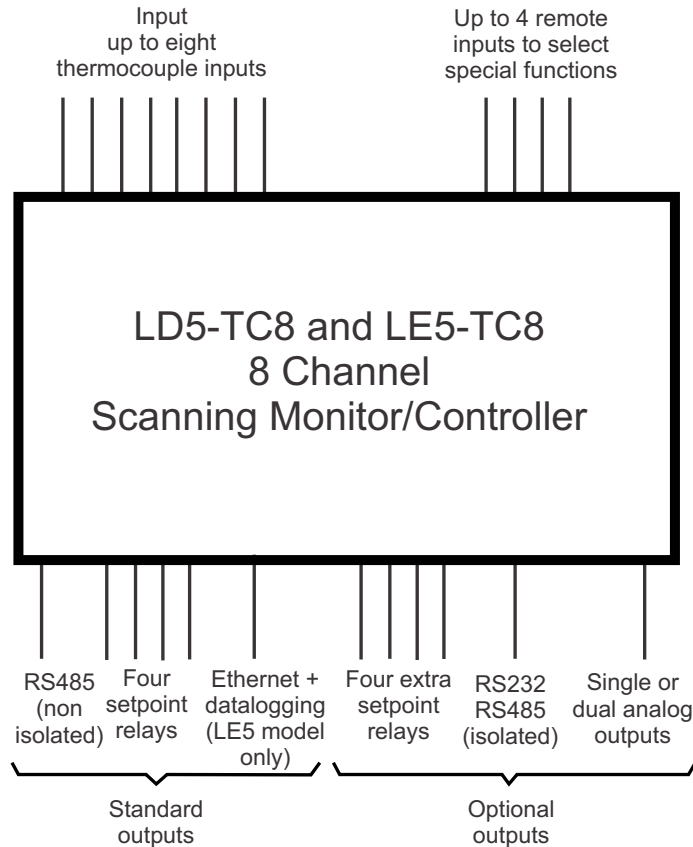
*e-mail: [sales@aicpl.com.au](mailto:sales@aicpl.com.au)  
Internet: [www.aicpl.com.au](http://www.aicpl.com.au)*

# Table of Contents

<b>1</b>	<b>Introduction</b>	<b>3</b>
<b>2</b>	<b>Mechanical installation</b>	<b>8</b>
<b>3</b>	<b>Electrical Installation</b>	<b>10</b>
<b>4</b>	<b>Function tables - summary of setup functions</b>	<b>14</b>
<b>5</b>	<b>Explanation of functions</b>	<b>24</b>
<b>6</b>	<b>PC/Laptop software</b>	<b>56</b>
<b>7</b>	<b>Specifications</b>	<b>57</b>
<b>8</b>	<b>Guarantee and service</b>	<b>58</b>

# 1 Introduction

This manual contains information for the installation and operation of the LD5-TC8 and LE5-TC8 eight channel thermocouple input display. The LE5 version comes with Ethernet and 8MB datalogging



## Features

### Inputs

**Thermocouple inputs** - The instrument has eight thermocouple input channels. Each channel can individually be programmed to accept a type B,E,J,K,N,R,S or T thermocouple.

### Digital inputs

- Four digital inputs are provide for remote inputs. Each input can be assigned on of the available functions e.g. Peak hold, display hold etc. Use the **F.1 RP** functions to set the remote input operations. Input types can be voltage free switches or switched voltages up to 24VDC depending on type chosen in the function settings for each input.

### Outputs

Note optional outputs are available in set combinations only, not all optional outputs can be supplied in one unit.

### Alarms and relays

4 relays are fitted as standard an extra 4 relays are optionally available. The first 4 relays comprise of 3 off form A relays and 1 off form C relay. The optional extra 4 relays comprise of 4 off form A relays. All relays are rated at 240VAC, 5A into a resistive load. Alarms 1 and/or 2 using relays 1 and 2 can be allocated as PI control relays if required (pulse width or frequency PI control).

Using the **AL 1** to **AL 8** functions up to 8 alarms can be set (low and/or high alarms) and each alarm can be allocated to one or more relays. The relays can be set to automatically reset when

out of alarm condition or to latch requiring the operator to push the front **F** button (where fitted) to allow the relay to reset when out of alarm condition. The **P** button and/or a remote input can also be programmed to acknowledge a latching alarm thereby allowing it to reset when out of alarm condition. If a relay has been set to require acknowledgement with automatic reset and is in an activated condition an acknowledgement will reset the relay even if it is still in an alarm condition.

**Relay operation** - to enable a relay to operate several steps are required, below is a list showing the steps required to enable input 1 to use relay 1 to operate as a high alarm using alarm 1:

- At the **AL Cnt** function ensure that at least one alarm is enabled.
- At the **AL H, Gh** function set the required high alarm and ensure that the **AL LLo** function is set to **OFF**.
- Set the **AL HYSL**, **AL Lcr, P** and **AL LFSL** as required.
- At the **AL LFLYS** function set **FLY 1** to **On**.
- At the **AL LOPER** function select **H, LLo**.
- At the **AL LCh** function select **CH 1**.
- Set **AL LLech**, **FL LFLY** and **FL LAcR** functions as required.
- Set the **FL Lbool** function to **On**.

## Calibration

Functions are provided to allow calibration of each input channel. Refer to each function in the “Explanation of Functions” chapter for further details. A basic description of these functions is given below.

The **INP 1** to **INP 8 U.CAL** functions allow each channel to be “uncalibrated”. The uncalibration process overwrites any previous calibrations and returns the instrument to its default calibration.

The **INP 1** to **INP 8 CAL 1** and **INP 1** to **INP 8 CAL 2** functions are the two calibration functions for each channel. **CAL 1** should be undertaken at a known temperature and **CAL 2** should be undertaken at a temperature at least 10% of the full range of the sensor higher than **CAL 1**.

The **INP 1** to **INP 8 OFSL** function allows an adjustment across the whole range of the channels display reading. For example if it is discovered that the temperature reading is 2 degrees high across the whole range then this function can be used to offset the reading back to the correct reading.

**Analog output** - Isolated single or dual analog outputs are optionally available in 12 bit (4-20mA only) or 16 bit (4-20mA, 0-1VDC or 0-10VDC). Analog outputs can be selected as retransmission or PI control outputs. Use the **FO 1** to **FO 2** functions to set the analog output operation.

**Communications outputs** - Non isolated RS485 communications are provided as standard. Isolated RS232, isolated RS485, USB and/or Ethernet are optionally available. The RS485 and RS232 outputs can be configured for ASCII or Modbus RTU or Modbus TCP (Ethernet only) operation. The non isolated RS485 port is disabled when optional RS232 or RS485 is fitted.

**Datalogging** - on board 8MB data logger memory is supplied with the Ethernet option. The data logger option also includes PC software to allow viewing and downloading of logged data. One of the serial output options must also be fitted if the data logger is to be used.

**Web page** - a web page is optionally available and can be used on instruments fitted with the Ethernet plus datalogger options. The web page allows remote viewing of the scanning monitor readings and setup and if permission is allowed it will also allow some settings to be remotely changed.

### **Calculation channels**

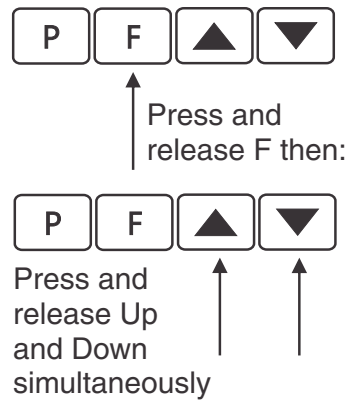
In addition to the 8 physical RTD input channels up to eight “calculation” channels can be selected. These calculation channels are memory locations which hold the result of an available arithmetic operation. For example calculation channel 1 memory could be set to hold the value of the average of the temperatures of inputs 1, 3 and 5.

The value stored in the calculated channel memory can also be used in arithmetic operations with other inputs or calculated channels and can also be used as an alarm value to activate relays. For example the user could program relay 2 to active if the average temperature from inputs 1, 3 and 5 exceeds 150 degrees.

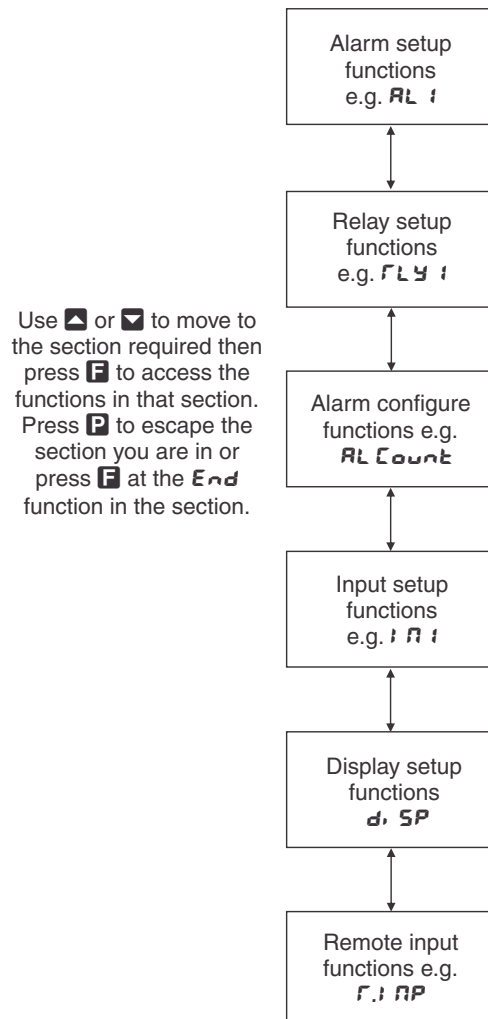
Choose the calculation operation at the **CC 1 to CC8 Func** function and the channels to which this function will apply at the **CC 1 to CC8 Chan SEL** functions.

## 1.1 Accessing setup functions

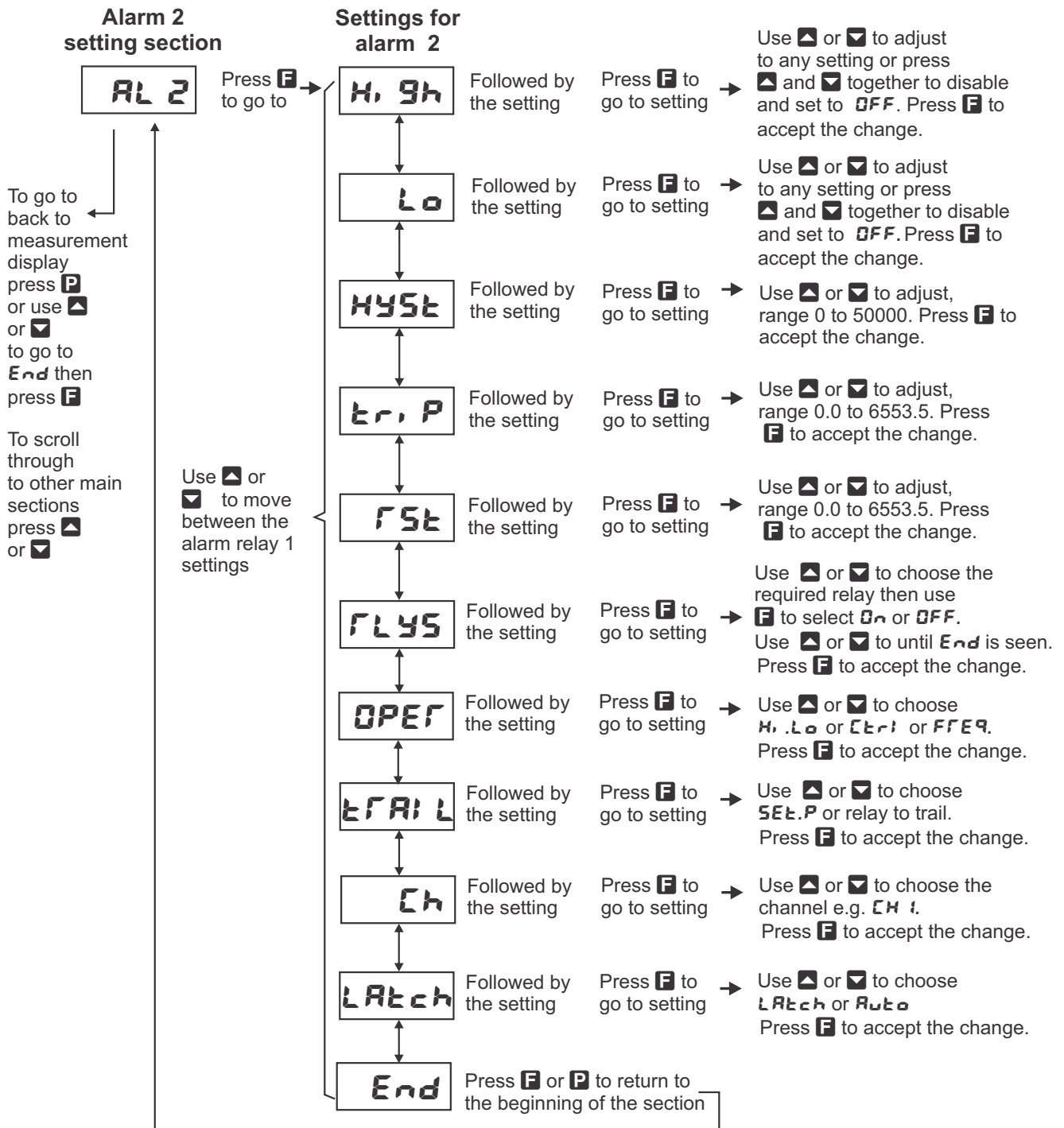
The setup functions allow adjustment of the instruments operation functions. Use the following method to access setup functions from the front panel pushbuttons. The display should show the message **FUNC** followed by the name of the first function block.



The setup functions are organised in blocks or sections e.g. all the settings for alarms are in the alarms sections e.g. **AL 1** block contains the alarm 1 functions. Once access to setup functions has been gained use the **▲** and **▼** buttons to select the section required then press **F** to enter this section and again use the **▲** and **▼** buttons to select the required function for alteration and press **F** to allow alteration of this function.



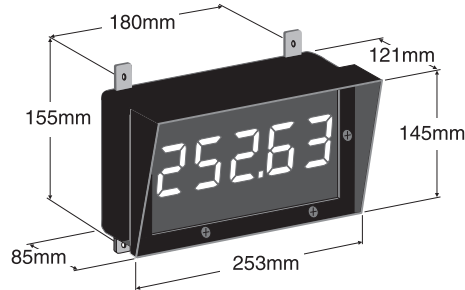
The example in the flowchart below shows the method using alarm 2 setup functions.



## 2 Mechanical installation

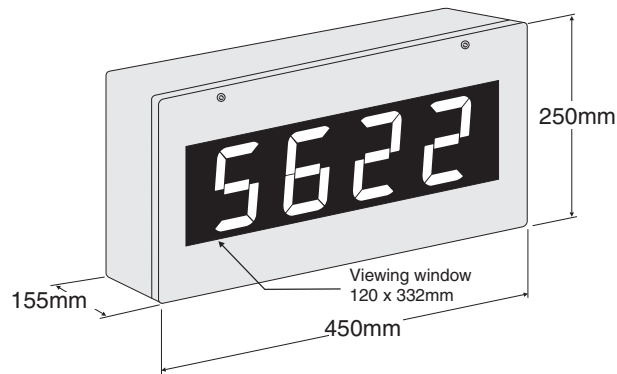
### 2.1 20mm, 38mm, 45mm, 57mm and 58mm LED

Surface mounting tabs are provided. An optional panel mount kit is available for these size displays. Panel cut out size is 240 x 130mm (-0.0mm / +0.5mm). Weight: All types 1.6kg approx.



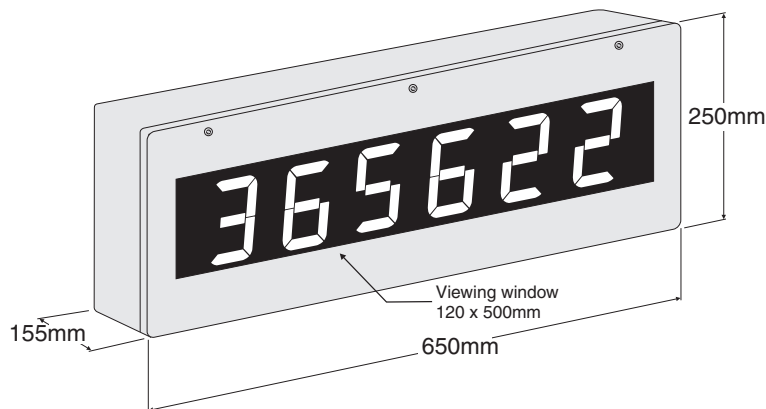
### 2.2 100mm 4 digit LED

Weight 10kg - mounting brackets provided



### 2.3 100mm 6 digit LED

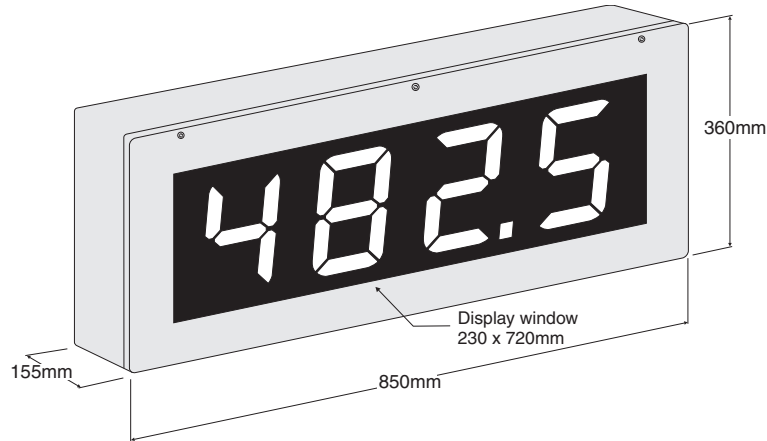
Weight 13kg - mounting brackets provided





## 2.4 200mm 4 digit LED

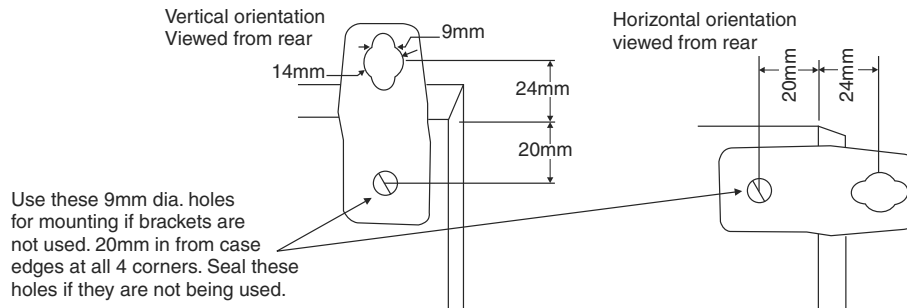
Weight 13kg - mounting brackets provided



## 2.5 Cable entry and Mounting brackets

For 20 to 58mm display types no holes are pre drilled. For all 100mm and 200mm displays 3 off 20mm holes are drilled at the bottom of the case, these are fitted with 2 x IP65 grommets and 1 x air vent which allows moisture to exit the case but not enter.

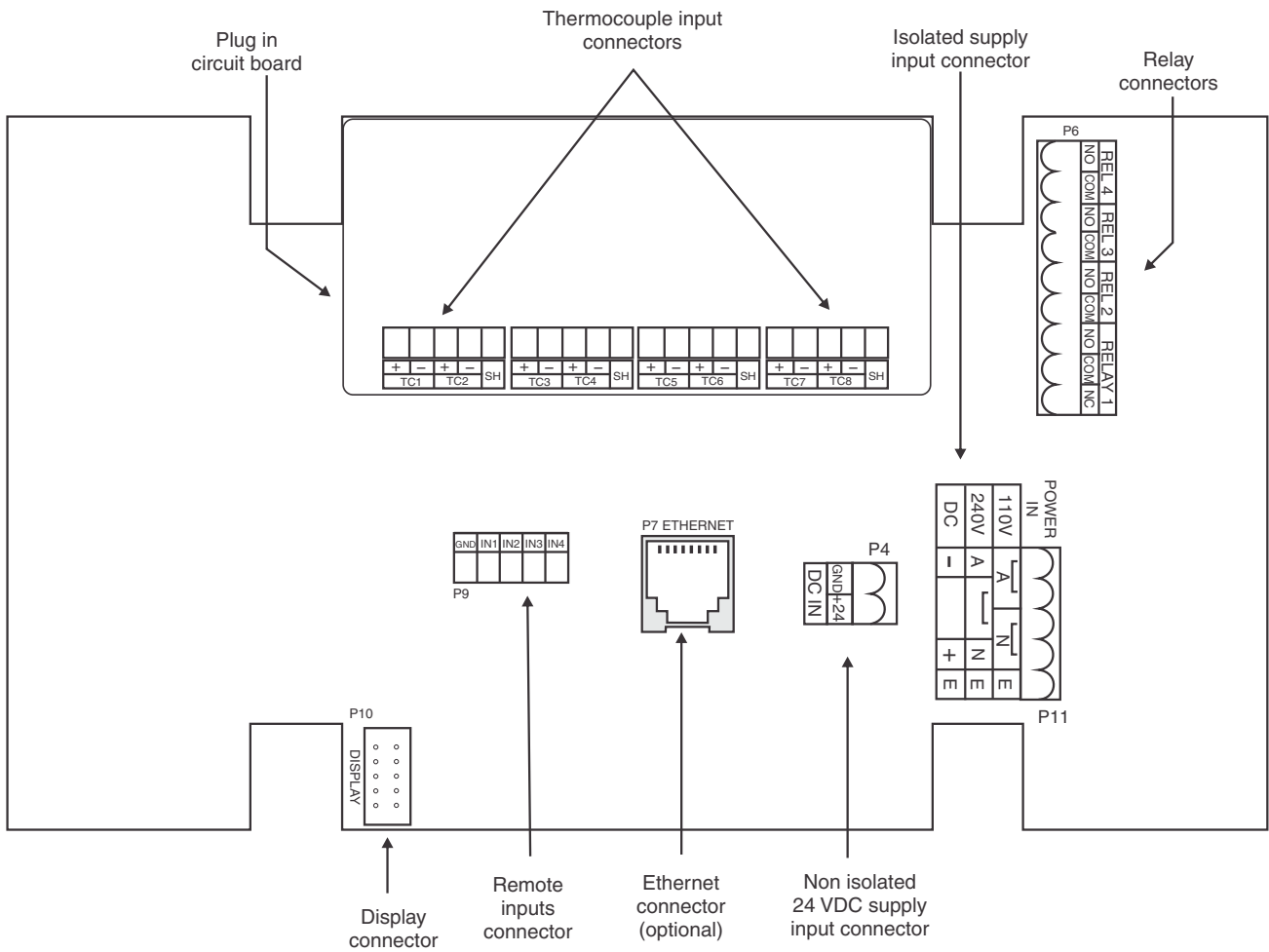
Four mounting brackets are supplied for use with all 100mm and 200mm display metal case large digit displays. Diagrams below illustrate vertical and horizontal installation for mounting brackets. If mounting without the brackets is preferred then the 9mm dia. case holes provided for the brackets can be used as alternative mounting holes. Any rear holes not used for mounting should be sealed.



### 3 Electrical Installation

The display is designed for continuous operation and therefore no mains/power switch is fitted to the unit. It is recommended that an external switch and fuse be provided to allow the unit to be removed for servicing. To install cables remove six front panel retaining screws. Remove front panel taking care not to damage the ribbon cable (ribbon cable joins the front display circuit board to the main circuit board). Connect power and input cables to the plug in terminal blocks located within the enclosure. The terminals are clearly labeled and unplug for ease of installation, please take care to connect them correctly. The terminal blocks allow for wires of up to 2.5mm<sup>2</sup> to be fitted (relays and power) and 1.5mm<sup>2</sup> for remote inputs. When power is applied the instrument will cycle through a display sequence, indicating the software version and other status information, this indicates that the instrument is functioning.

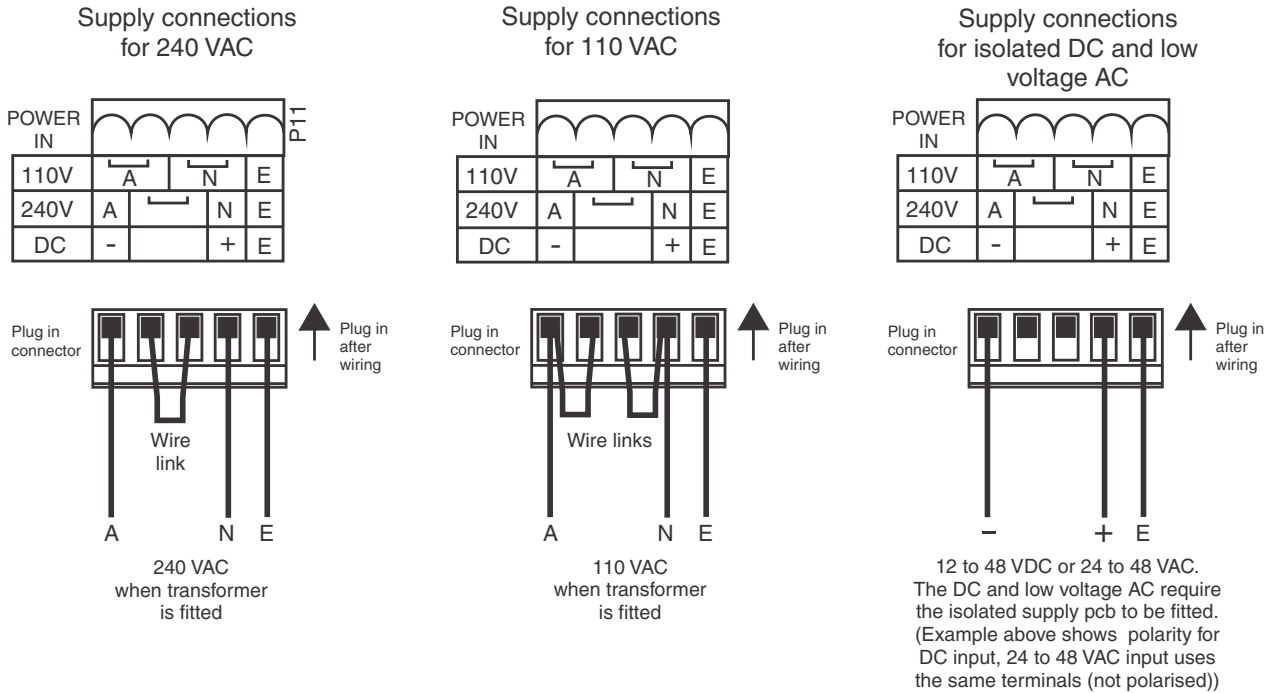
#### Input board layout



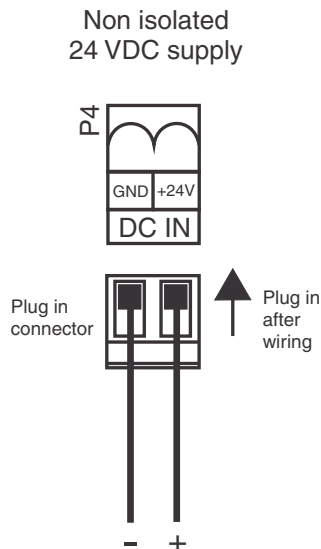
### 3.1 Power supply connections

The power supply for the instrument is factory fitted and is of a fixed type. Check power supply type before connecting. Non isolated 15 to 24VDC supply instruments use the DC IN connector P4 shown on the diagram above. AC supply and isolated DC supply instruments use connector P11.

### 3.2 AC supply or isolated DC supply

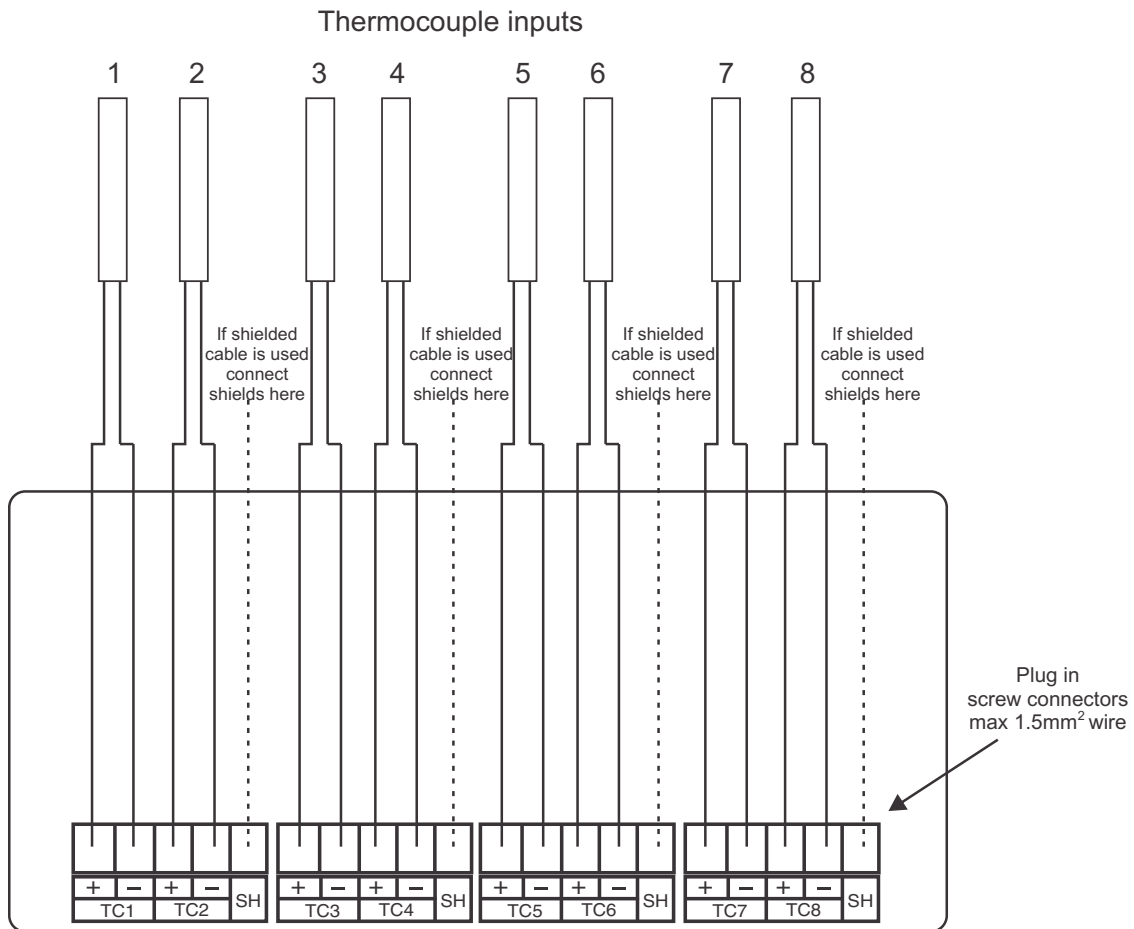


### 3.3 Non isolated DC supply



### 3.4 Input connections

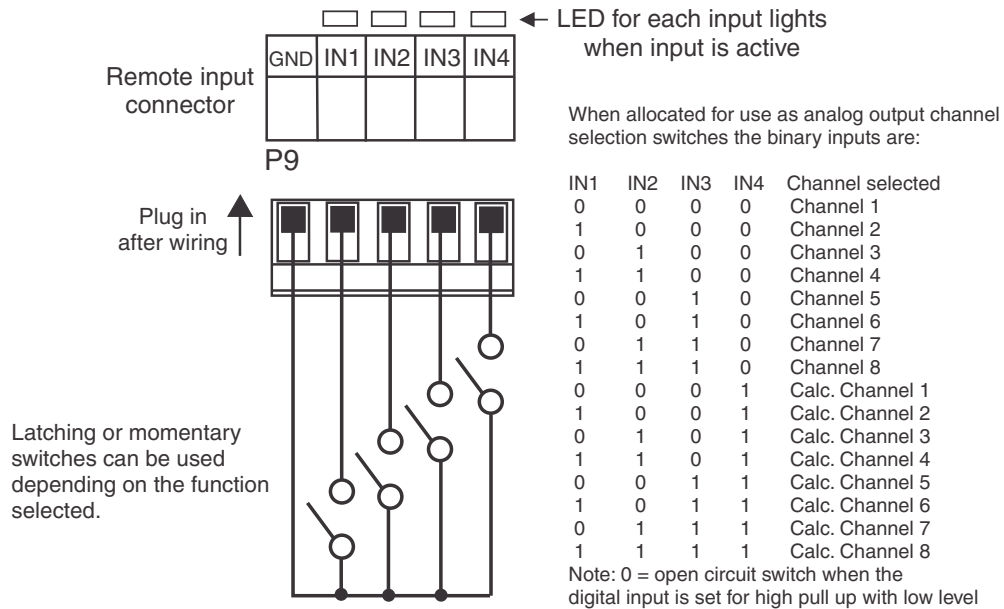
The thermocouple inputs are on a small pcb on top of the main pcb. Note the correct type of thermocouple wire must be used all from the sensor to the terminal block.



The optional ethernet connection is via the RJ45 connector P7 on the main board.

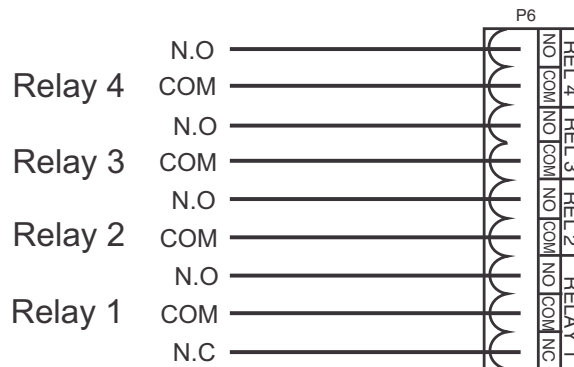
#### 3.4.1 Remote/Digital inputs

The digital inputs will accept voltage free contact closure inputs or up to 24VDC signal. The electrical configuration for these inputs is configured by digital input functions, see the **d.i.n** section functions. The operation mode of the digital inputs are controlled by separate functions for each input, see the **f.i.np** section functions. The electrical configuration for these inputs is configured by digital input functions, see the **d.i.n** section functions. Wiring example showing voltage free contacts below. The table below shows the operation of the remote inputs when one or more of the remote inputs is set for analog output digital control (**f.5E1** mode).



### 3.4.2 Relays 1 to 4

Relays 1 to 4 are rated at 240VAC 5A into a resistive load. Relay 1 is form C type. Relays 2,3 and 4 are form A type. These relays are fitted onto the main board when supplied. See the “LD5 Series Large Digit Display Output Addendum” for wiring details of optional relays 5 to 8.



## 4 Function tables - summary of setup functions

Note: the order in which the functions appear on the display may not be exactly as shown below. The availability and order of functions is determined by choice of function settings and options fitted.

Display messages shown are those which would appear on a 4 digit display, these display messages may in some cases vary slightly for other display types.

Functions in this first table are available in **FUNC** or **CAL** mode.

### 4.1 Configuration function table

Display	Function	Range	Default	Your record	Ref/Page
<b>CONF CHAN Cnt</b>	Number of input channels	<b>1, 2, 3, 4, 5, 6, 7, 8</b>	<b>8</b>		5.1 / 24
<b>CONF CALC Cnt</b>	Number of calculation channels	<b>0, 1, 2, 3, 4, 5, 6, 7, 8</b>	<b>0</b>		5.2 / 24
<b>CONF AL Cnt</b>	Set number of alarms	<b>0, 1, 2, 3, 4, 5, 6, 7, 8</b>	<b>2</b>		5.3 / 24
<b>CONF SCAN</b>	Set display rotation time per channel	<b>0 to 200</b> secs	<b>6</b>		5.4 / 25
<b>CONF INP SCAN</b>	Set input sample timer	<b>1, 2, 4, 8</b> secs	<b>4</b>		5.5 / 25
<b>CONF Unit</b>	Set the temperature display units	<b>C, F, K, °F</b>	<b>C</b>		5.6 / 25

### 4.2 Alarm function table.

Display	Function	Range	Default	Your record	Ref/Page
<b>AL 1 to AL 8 Hi, 9h</b>	High setpoint value for designated alarm relay	Any display value or <b>OFF</b>	<b>OFF</b>	See 4.12	5.7 / 25
<b>AL 1 to AL 8 Lo</b>	Low setpoint value for designated alarm relay.	Any display value or <b>OFF</b>	<b>OFF</b>	See 4.12	5.8 / 26
<b>AL 1 to AL 8 HYSL</b>	Alarm relay hysteresis (deadband)	<b>0 to 65535</b>	<b>10</b>	See 4.12	5.9 / 27
<b>AL 1 to AL 8 Tri, P</b>	Trip time delay for the designated alarm relay	<b>0 to 6553.5</b> secs	<b>0.0</b>	See 4.12	5.10 / 28

<b>AL 1 to AL 8 RST</b>	Reset time delay for the designated alarm relay	<b>0 to 6553.5</b> secs	<b>0.0</b>	See 4.12	5.11 / 28
<b>AL 1 to AL 8 FLYS</b>	Relay selection <b>On</b> or <b>OFF</b>	<b>On</b> or <b>OFF</b>	<b>OFF</b>	See 4.12	5.12 / 28
<b>AL 2 to AL 8 EFL</b>	Alarm trailing or setpoint mode	<b>SEt.P, EL 1, EL 2, EL 3, EL 4, EL 5, EL 6, EL 7</b>	<b>SEt.P</b>	See 4.12	5.13 / 29
<b>AL 1 to AL 2 OPER</b>	Relay operation mode	<b>H. Lo, Ctr1 or FFE9</b>	<b>H. Lo</b>	See 4.12	5.14 / 30
<b>AL 1 to AL 8 SPAN</b>	Relay PI control span	Any display value	<b>1000</b>	See 4.12	5.15 / 30
<b>AL 1 to AL 8 SEtP</b>	Relay PI control setpoint	Any display value	<b>1000</b>	See 4.12	5.16 / 30
<b>AL 1 to AL 8 P.G</b>	Relay PI control proportional gain value	Any display value	<b>0.0 10</b>	See 4.12	5.17 / 30
<b>AL 1 to AL 8 I.G</b>	Relay PI control integral gain value	Any display value	<b>0.000</b>	See 4.12	5.18 / 31
<b>AL 1 to AL 8 I.H</b>	Relay PI control integral high limit value	<b>0 to 100.0 %</b>	<b>0.000</b>	See 4.12	5.19 / 31
<b>AL 1 to AL 8 I.L</b>	Relay PI control integral low limit value	<b>0 to 100.0 %</b>	<b>100.0</b>	See 4.12	5.20 / 31
<b>AL 1 to AL 8 b. AS</b>	Relay PI control bias	<b>0 to 100.0 %</b>	<b>50.0</b>	See 4.12	5.21 / 31
<b>AL 1 to AL 8 duty SECS</b>	Relay PI control duty cycle	<b>0 to 6553.5</b> secs	<b>10.0</b>	See 4.12	5.22 / 32
<b>AL 1 to AL 8 on SECS</b>	Relay PI frequency control “on” time	<b>0 to 6553.5</b> secs	<b>1.0</b>	See 4.12	5.23 / 32
<b>AL 1 to AL 8 Ch</b>	Alarm input channel selection	<b>CH 1, CH 2, CH 3, CH 4, CH 5, CH 6, CH 7, CH 8, CC 1, CC 2, CC 3, CC 4, CC 5, CC 6, CC 7, CC 8</b>	<b>CH 1</b>	See 4.12	5.24 / 32

<b>AL 1 to AL 8 Ltch</b>	Alarm relay latching operation	<b>Auto, Ltch, R.b, L.b</b>	<b>Auto</b>	See 4.12	5.25 / 32
----------------------------------	--------------------------------	---------------------------------	-------------	-------------	-----------

### 4.3 Relay function table

Display	Function	Range	Default	Your record	Ref/Page
<b>FL 1 to FL 8 FLY</b>	Alarm relay <i>x</i> action to normally open (de-energised) or normally closed (energised)	<b>n.o, n.c</b>	<b>n.o</b>	See 4.12	5.26 / 33
<b>FL 1 to FL 8 AcR</b>	Relay acknowledge	<b>OFF or ON</b>	<b>OFF</b>	See 4.12	5.27 / 33
<b>FL 1 to FL 8 bool</b>	Alarm relay Boolean logic operation	<b>Or, And</b>	<b>Or</b>	See 4.12	5.28 / 33

### 4.4 Input function table

Display	Function	Range	Default	Your record	Ref/Page
<b>INP 1 to INP 8 dP</b>	Input channel decimal point selection	<b>0, 0.1</b>	<b>0</b>		5.29 / 34
<b>INP 1 to INP 8 d.rnd</b>	Input channel display rounding selection	<b>1 to 5000</b>	<b>0</b>		5.30 / 34
<b>INP 1 to INP 8 FLtr</b>	Input filter	<b>0, 1, 2, 3, 4, 5, 6, 7, 8</b>	<b>2</b>		5.31 / 34
<b>INP 1 to INP 8 tYPE</b>	Thermocouple input type	<b>b, E, J, K, N, r, S, t</b>	<b>n</b>		5.32 / 35
<b>INP 1 to INP 8 COPY to</b>	Copy channel settings to another channel	<b>NONE, 2, 3, 4, 5, 6, 7, 8</b>	<b>NONE</b>		5.33 / 35
<b>INP 1 to INP 8 U.CAL</b>	Uncalibrate the input channel	n/a	n/a		5.34 / 35
<b>INP 1 to INP 8 CAL 1</b>	First calibration point for selected input	n/a	n/a		5.35 / 35
<b>INP 1 to INP 8 CAL 2</b>	Second calibration point for selected input	n/a	n/a		5.36 / 36



<b>INP 1 to INPB OFFSt</b>	Calibration offset	n/a	n/a		5.37 / 37
------------------------------------	--------------------	-----	-----	--	-----------

#### 4.5 Calculated channel configure table

Display	Function	Range	Default	Your record	Ref/Page
<b>CC 1 to CC8 Func</b>	Calculation channel function	<b>H, L, d, FF, AU9, d.AU9, P.AU9, n.AU9, S, d, F</b>	<b>H,</b>		5.38 / 38
<b>CC 1 to CC8 d.Lo9</b>	Calculation channel data log	<b>OFF</b> or <b>ON</b>	<b>OFF</b>		5.39 / 39
<b>CC 1 to CC8 d.SP</b>	Calculation channel display	<b>OFF</b> or <b>ON</b>	<b>OFF</b>		5.40 / 39
<b>CC 1 to CC8 dP</b>	Calculation channel decimal point	<b>0, 0. 1</b>	<b>0</b>		5.41 / 39
<b>CC 1 to CC8 d.rnd</b>	Calculation channel display rounding	<b>1</b> to <b>5000</b>	<b>1</b>		5.42 / 40
<b>CC 1 to CC8 ChAn SEL</b>	Calculation channel selection. Set each channel <b>On</b> or <b>OFF</b>	<b>CH 1, CH2, CH 3, CH4, CH5, CH6, CH7, CH 8, CC 1, CC2, CC3, CC4, CC 5, CC6, CC7, CC8</b>	n/a		5.43 / 40

#### 4.6 Display function table

Display	Function	Range	Default	Your record	Ref/Page
<b>d: SP br9t Auto</b>	Automatic display brightness	<b>OFF</b> or <b>ON</b>	<b>On</b>		5.44 / 40
<b>d: SP br9t</b>	Display brightness	<b>1</b> to <b>63</b>	<b>63</b>		5.45 / 41
<b>d: SP duli</b>	Dimmed display brightness	<b>0</b> to <b>63</b>	<b>7</b>		5.46 / 41
<b>d: SP Auto Hi, 9h</b>	Auto display brightness high level	<b>15</b> to <b>63</b>	<b>63</b>		5.47 / 41

<b>d SP Auto Lo</b>	Auto display brightness low level	<b>1 to 63</b>	<b>7</b>		5.48 / 41
<b>d SP d.OFF</b>	Timer for low brightness level	<b>0 to Maximum display value mins</b>	<b>0</b>		5.49 / 42

**4.7 Analog output function table. See separate Addendum booklet for PI control functions**

Display	Function	Range	Default	Your record	Ref/Page
<b>F0 1 to F02 OutP</b>	Analog retransmission outputs (*Optional)	<b>4-20, 0-10, 0-10</b>	<b>4-20</b>		5.51 / 42
<b>F0 1 to F02 InPt</b>	Analog retransmission input channel (*Optional)	Any available channel, or calculated channel or digital select	<b>CH 1</b>		5.52 / 42

Display	Function	Range	Default	Your record	Ref/Page
<b>F0 1 to F02 P.Ct1</b>	Analog output PI control (*Optional)	<b>NO or YES</b>	<b>NO</b>		Addendum
<b>F0 1 to F02 SEtP</b>	Analog output PI control setpoint (*Optional)	Any display value	<b>0</b>		Addendum
<b>F0 1 to F02 SPAn</b>	Analog output PI control span (*Optional)	Any display value	<b>1000</b>		Addendum
<b>F0 1 to F02 P.9</b>	Analog output PI control proportional gain (*Optional)	Any display value	<b>1.000</b>		Addendum
<b>F0 1 to F02 I.9</b>	Analog output PI control integral gain (*Optional)	Any display value	<b>0.000</b>		Addendum
<b>F0 1 to F02 I.H</b>	Analog output PI control integral high limit (*Optional)	<b>0 to 100.0 %</b>	<b>100.0</b>		Addendum
<b>F0 1 to F02 I.L</b>	Analog output PI control integral low limit (*Optional)	<b>0 to 100.0 %</b>	<b>100.0</b>		Addendum
<b>F0 1 to F02 b. AS</b>	Analog output PI control bias (*Optional)	<b>0 to 100.0 %</b>	<b>50.0</b>		Addendum

Display	Function	Range	Default	Your record	Ref/Page
<b>r01</b> to <b>r02</b> <b>Lo</b>	Analog retransmission low display value (*Optional)	Any display value	<b>0</b>		5.53 / 43
<b>r01</b> to <b>r02</b> <b>H, 9h</b>	Analog retransmission high display value (*Optional)	Any display value	<b>1000</b>		5.54 / 43

#### 4.8 P button and remote inputs function table

Display	Function	Range	Default	Your record	Ref/Page
<b>r1np</b> <b>P.but</b>	Front P button operation mode	<b>NONE, P.H, , P.Lo, H, .Lo, AL.Ac</b>	<b>NONE</b>		5.55 / 43
<b>r1np</b> <b>r1n.1</b>	Remote input 1 operation mode	<b>NONE, P.Hi d, d.Hi d, P.H, , P.Lo, H, .Lo, AL.Ac, ACCS, dul1, r.SE1</b>	<b>NONE</b>		5.56 / 43
<b>r1np</b> <b>r1n.2</b>	Remote input 2 operation mode	<b>NONE, P.Hi d, d.Hi d, P.H, , P.Lo, H, .Lo, AL.Ac, ACCS, dul1, r.SE1</b>	<b>NONE</b>		5.57 / 44
<b>r1np</b> <b>r1n.3</b>	Remote input 3 operation mode	<b>NONE, P.Hi d, d.Hi d, P.H, , P.Lo, H, .Lo, AL.Ac, ACCS, dul1, r.SE1</b>	<b>NONE</b>		5.58 / 45
<b>r1np</b> <b>r1n.4</b>	Remote input 4 operation mode	<b>NONE, P.Hi d, d.Hi d, P.H, , P.Lo, H, .Lo, AL.Ac, ACCS, dul1, r.SE1</b>	<b>NONE</b>		5.59 / 45

#### 4.9 Digital inputs function table

Display	Function	Range	Default	Your record	Ref/Page
<b>d.in</b> <b>d.in.1</b> <b>P.UP</b>	Remote input (digital inputs) 1 pull up/down operation	<b>OPEN, H, 9h, Lo</b>	<b>H, 9h</b>		5.60 / 45
<b>d.in</b> <b>d.in.1</b> <b>Lul</b>	Remote input (digital inputs) 1 input level	<b>H, 9h, Lo</b>	<b>Lo</b>		5.61 / 45

<b>d.i.n d.i.n.2 P.UP</b>	Remote input (digital inputs) 2 pull up/down operation	<b>OPEN, H, 9h, Lo</b>	<b>H, 9h</b>		5.62 / 46
<b>d.i.n d.i.n.2 Lvl</b>	Remote input (digital inputs) 2 input level	<b>H, 9h, Lo</b>	<b>Lo</b>		5.63 / 46
<b>d.i.n d.i.n.3 P.UP</b>	Remote input (digital inputs) 3 pull up/down operation	<b>OPEN, H, 9h, Lo</b>	<b>H, 9h</b>		5.64 / 46
<b>d.i.n d.i.n.3 Lvl</b>	Remote input (digital inputs) 3 input level	<b>H, 9h, Lo</b>	<b>Lo</b>		5.65 / 47
<b>d.i.n d.i.n.4 P.UP</b>	Remote input (digital inputs) 4 pull up/down operation	<b>OPEN, H, 9h, Lo</b>	<b>H, 9h</b>		5.66 / 47
<b>d.i.n d.i.n.4 Lvl</b>	Remote input (digital inputs) 4 input level	<b>H, 9h, Lo</b>	<b>Lo</b>		5.67 / 47

#### 4.10 Serial communications function table

Display	Function	Range	Default	Your record	Ref/Page
<b>SErI OPER</b>	Serial output operation mode	<b>NONE, Cont., Poll, R.buS, di SP or n.buS</b>	<b>NONE</b>		5.68 / 47
<b>SErI bAud</b>	Serial baud rate	<b>1200, 2400, 4800, 9600, 19.2, 38.4, 57.6, 115.2</b>	<b>9600</b>		5.69 / 48
<b>SErI Prty</b>	Serial parity	<b>8N, 8E, 8O, 7 E, 7O</b>	<b>8N</b>		5.70 / 48
<b>SErI Unit Addr</b>	Serial address	<b>1 to 127</b>	<b>1</b>		5.71 / 49

#### 4.11 User access function table

Display	Function	Range	Default	Your record	Ref/Page
<b>ACCES EASY LEVL</b>	Easy access mode	<b>NONE, 1, 2, 3, 4, 5, 6, CAL</b>	<b>NONE</b>		5.72 / 49
<b>ACCES FINP LEVL</b>	Remote input access mode	<b>NONE, 1, 2, 3, 4, 5, 6, CAL</b>	<b>NONE</b>		5.73 / 49

<b>ACCES USF.1 P.n</b>	PIN code 1	<b>0 to 65535</b>	<b>0</b>		5.74 / 49
<b>ACCES USF.1 LEUL</b>	PIN code 1 access level	<b>NONE, 1, 2, 3, 4, 5, 6, CAL</b>	<b>NONE</b>		5.75 / 50
<b>ACCES USF.2 P.n</b>	PIN code 2	<b>0 to 65535</b>	<b>0</b>		5.76 / 50
<b>ACCES USF.2 LEUL</b>	PIN code 2 access level	<b>NONE, 1, 2, 3, 4, 5, 6, CAL</b>	<b>NONE</b>		5.77 / 51
<b>ACCES Fn.1 Code</b>	User assignable access function 1	<b>0000 to FFFF</b> hex.	<b>0000</b>		5.78 / 51
<b>ACCES Fn.1 LEUL</b>	User assignable access 1 level value	<b>df1 t, 1, 2, 3, 4, 5, 6, CAL, S.CAL</b>	<b>df1 t</b>		5.79 / 51
<b>ACCES Fn.2 Code</b>	User assignable access function 2	<b>0000 to FFFF</b> hex.	<b>0000</b>		5.80 / 51
<b>ACCES Fn.2 LEUL</b>	User assignable access 2 level value	<b>df1 t, 1, 2, 3, 4, 5, 6, CAL, S.CAL</b>	<b>df1 t</b>		5.81 / 52
<b>ACCES Fn.3 Code</b>	User assignable access function 3	<b>0000 to FFFF</b> hex.	<b>0000</b>		5.82 / 52
<b>ACCES Fn.3 LEUL</b>	User assignable access 3 level value	<b>df1 t, 1, 2, 3, 4, 5, 6, CAL, S.CAL</b>	<b>df1 t</b>		5.83 / 52
<b>ACCES Fn.4 Code</b>	User assignable access function 4	<b>0000 to FFFF</b> hex.	<b>0000</b>		5.84 / 52
<b>ACCES Fn.4 LEUL</b>	User assignable access 4 level value	<b>df1 t, 1, 2, 3, 4, 5, 6, CAL, S.CAL</b>	<b>df1 t</b>		5.85 / 53
<b>ACCES Fn.5 Code</b>	User assignable access function 5	<b>0000 to FFFF</b> hex.	<b>0000</b>		5.86 / 53
<b>ACCES Fn.5 LEUL</b>	User assignable access 5 level value	<b>df1 t, 1, 2, 3, 4, 5, 6, CAL, S.CAL</b>	<b>df1 t</b>		5.87 / 53
<b>ACCES Fn.6 Code</b>	User assignable access function 6	<b>0000 to FFFF</b> hex.	<b>0000</b>		5.88 / 53
<b>ACCES Fn.6 LEUL</b>	User assignable access 6 level value	<b>df1 t, 1, 2, 3, 4, 5, 6, CAL, S.CAL</b>	<b>df1 t</b>		5.89 / 54

<b>ACCES Fn.7 Code</b>	User assignable access function 7	<b>0000 to FFFF</b> hex.	<b>0000</b>		5.90 / 54
<b>ACCES Fn.7 LEVL</b>	User assignable access 7 level value	<b>dFl t, 1, 2, 3, 4, 5, 6, CAL, S.CAL</b>	<b>dFl t</b>		5.91 / 54
<b>ACCES Fn.8 Code</b>	User assignable access function 8	<b>0000 to FFFF</b> hex.	<b>0000</b>		5.92 / 54
<b>ACCES Fn.8 LEVL</b>	User assignable access 8 level value	<b>dFl t, 1, 2, 3, 4, 5, 6, CAL, S.CAL</b>	<b>dFl t</b>		5.93 / 55

## 4.12 Relay tables

Note: 4 relays are fitted as standard, 4 extra relays are optionally available in some option combinations.

Record your relay settings in the table below

Display	Alarm 1	Alarm 2	Alarm 3	Alarm 4	Alarm 5	Alarm 6	Alarm 7	Alarm 8
<b>H. 9h</b>								
<b>Lo</b>								
<b>HYSt</b>								
<b>Er, P</b>								
<b>FSt</b>								
<b>SPAN</b>			n/a	n/a	n/a	n/a	n/a	n/a
<b>SEtP</b>			n/a	n/a	n/a	n/a	n/a	n/a
<b>P.9</b>			n/a	n/a	n/a	n/a	n/a	n/a
<b>I.9</b>			n/a	n/a	n/a	n/a	n/a	n/a
<b>I.H</b>			n/a	n/a	n/a	n/a	n/a	n/a
<b>I.L</b>			n/a	n/a	n/a	n/a	n/a	n/a
<b>b. AS</b>			n/a	n/a	n/a	n/a	n/a	n/a
<b>duty SECS</b>			n/a	n/a	n/a	n/a	n/a	n/a
<b>on SECS</b>			n/a	n/a	n/a	n/a	n/a	n/a
<b>FLYS</b>								
<b>ErL</b>								
<b>OPER</b>								
<b>Ch</b>								
<b>LECh</b>								

Record which relays are allocated to which alarms and other relay settings in the table below

Display	Relay 1	Relay 2	Relay 3	Relay 4	Relay 5	Relay 6	Relay 7	Relay 8
Alarm 1								
Alarm 2								
Alarm 3								
Alarm 4								
Alarm 5								
Alarm 6								
Alarm 7								
Alarm 8								
<b>FLY</b>								
<b>AcH</b>								
<b>booi</b>								

## 5 Explanation of functions

The setup and calibration functions are configured through a push button sequence. The three push buttons located at the front of the instrument are used to alter settings. The access modes available

Display messages shown are those which would appear on a display with 4 digits for the temperature reading, these display messages may in some cases vary slightly for other display types.

Note: default access levels for each function are shown in this section but the access levels are not applicable to this software version.

### Explanation of Functions

#### 5.1 Number of input channels to be used

Section: **CONF**  
Display: **CHAN Cnt**  
Range: **1, 2, 3, 4, 5, 6, 7, 8**  
Default Value: **8**  
Default Access Level **4**  
Function number **4380**

Allows selection of the number of input channels required. Up to 8 channels can be selected. For example if 6 channels are selected then inputs 1 to 6 will be used and these 6 input channels (plus any calculation channels) will be displayed.

#### 5.2 Number of calculation channels to be used

Section: **CONF**  
Display: **CALC Cnt**  
Range: **0, 1, 2, 3, 4, 5, 6, 7, 8**  
Default Value: **0**  
Default Access Level **4**  
Function number **438d**

Allows selection of the number of calculation channels required. Calculation channels are not physical inputs but are the results of the chosen arithmetic operation between selected input or other calculated channels. Up to 8 calculated channels can be selected. If required calculated channels can be made show up on the display following the physical channel readings. See the **CC 1** to **CC 8** functions for details of calculation channel setup.

#### 5.3 Set number of alarms

Section: **CONF**  
Display: **AL Cnt**  
Range: **0, 1, 2, 3, 4, 5, 6, 7, 8**  
Default Value: **2**  
Default Access Level **4**  
Function number **437d**

Allows setting of the number of alarms from 0 to 8 alarms. Each alarm can be allocated to respond from one or more input channels or calculated channels. If relays are fitted then one or more relays can be allocated to each alarm.



## 5.4 Set display rotation time per channel

**Section:** **CONF**  
**Display:** **SCAN**  
**Range:** **0** to **200** secs  
**Default Value:** **6**  
**Default Access Level:** **4**  
**Function number:** **4385**

Allows setting of the number of seconds between each channel display rotation. For example if set to 2 seconds each channel will be displayed for 2 seconds before the display automatically changes to the next higher channel. A setting of 0 will disable the automatic scanning meaning that the **▲** or **▼** pushbuttons will have to be used to view each channel. If a scan time is set but a channels are selected by the **▲** or **▼** pushbuttons the display will stay on the selected channel for approximately 20 seconds and will then automatically begin scanning again. If a channel is selected manually and the pushbutton held for 3 seconds then that display will remain on the selected channel for 1 hour before resuming scanning. Inputs are scanned internally and acted upon even if the automatic display scanning is stopped.

## 5.5 Set input sample timer

**Section:** **CONF**  
**Display:** **INP SCAN**  
**Range:** **1, 2, 4, 8** secs  
**Default Value:** **4**  
**Default Access Level:** **4**  
**Function number:** **4389**

Allows setting of the number of seconds between each input sample. For example if set to 2 seconds each input for each channel will activate sequentially with 2 seconds between each channel. An individual relay is used for each input to select the input required and isolate the other inputs, a short scan time will give the quickest response but a longer scan time will prolong the life of the input relays.

## 5.6 Set the temperature display units

**Section:** **CONF**  
**Display:** **Unit**  
**Range:** **C, F, K, R**  
**Default Value:** **C**  
**Default Access Level:** **4**  
**Function number:** **4390**

Allows setting of the temperature display units. Choices are **C** for a degrees Celcius display, **F** for a display in degrees Fahrenheit, **K** for a display in degrees Kelvin or **R** for a display in degrees Rankine.

## 5.7 Alarm relay high setpoint

**Section:** **AL 1 to AL 8**  
**Display:** **H, 9h**  
**Range:** Any display value or **OFF**  
**Default Value:** **OFF**  
**Default Access Level:** **2**  
**Function number:** **4000 to 4007**

Displays and sets the high setpoint value for the designated alarm relay. Use this high setpoint function

if a relay operation is required when the display value becomes equal to or more than the low setpoint value.

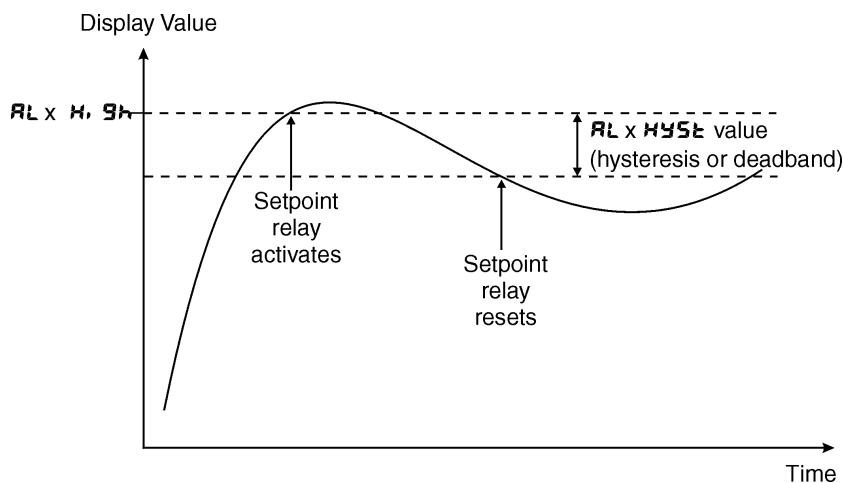
To set the high alarm value go to the **H, Sh** function, press **F** and when you see a digit of the value flash use the **▲** or **▼** push buttons to set the required value then press **F** to accept this selection. The high alarm setpoint may be disabled by pressing the **▲** and **▼** push buttons simultaneously. When the alarm is disabled the display will indicate **OFF**. If the relay is allocated both a low and high setpoint then the relay will activate when the value displayed moves outside the band set by the low and high setpoints. The value at which the relay will reset is controlled by the **HYSL** function.

**Overlapping alarms** - if the **H, Sh** value is set lower than the **Lo** value then the alarm will activate in the band between the two values.

If the display has annunciator leds for the relay then the annunciator will initially flash in alarm condition, if the alarm is acknowledged by pressing the **F** button (where fitted) or has been acknowledged by a **P** button or remote input operation the annunciator will be solidly lit until the display moves out of alarm condition.

**Example:**

If **H, Sh** under **AL 1** is set to **100** then relay 1 will activate when the display value is **100** or higher.



Note if the high alarm value is set lower than the low alarm value the relay will activate between the two i.e. activate in the band between the two values.

## 5.8 Alarm relay low setpoint

<b>Section:</b>	<b>AL 1 to AL 8</b>
<b>Display:</b>	<b>Lo</b>
<b>Range:</b>	Any display value or <b>OFF</b>
<b>Default Value:</b>	<b>OFF</b>
<b>Default Access Level</b>	<b>2</b>
<b>Function number</b>	<b>40 10 to 40 17</b>

Displays and sets the low setpoint value for the designated alarm relay. Use this low setpoint function if a relay operation is required when the display value becomes equal to or less than the low setpoint value.

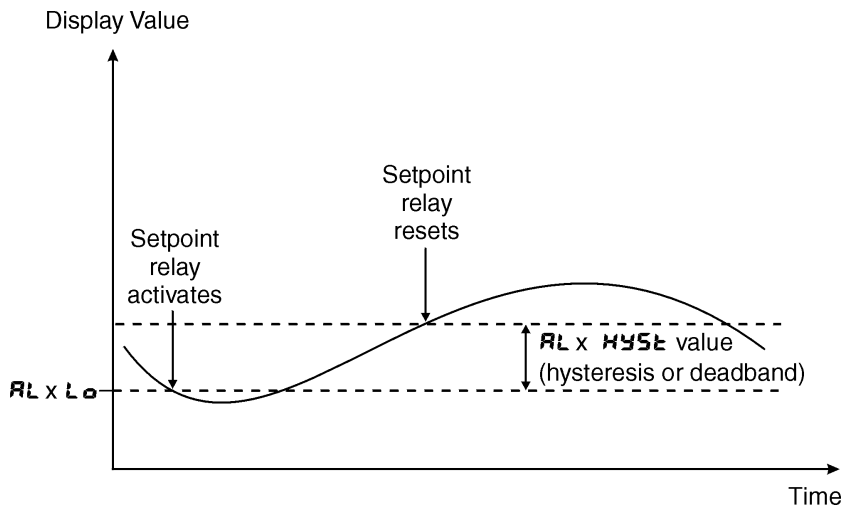
To set the low alarm value press **F** and when you see a digit of the value flash use the **▲** or **▼** push buttons to set the required value then press **F** to accept this selection.

The low alarm setpoint may be disabled by pressing the **▲** and **▼** push buttons simultaneously. When the alarm is disabled the display will indicate **OFF**. If the relay is allocated both a low and high setpoint then the relay will activate when the value displayed moves outside the band set by the low and high setpoints. The value at which the relay will reset is controlled by the Hysteresis function.

If the display has annunciator leds for the relay then the annunciator will initially flash in alarm condition, if the alarm is acknowledged by pressing the **F** button (where fitted) or has been acknowledged by a **P** button or remote input operation the annunciator will be solidly lit until the display moves out of alarm condition.

**Example:**

If **Lo** under **AL 1** is set to **10** then relay 1 will activate when the display value is 10 or less.



### 5.9 Alarm relay hysteresis (deadband)

Section:	<b>AL 1 to AL 8</b>
Display:	<b>HYST</b>
Range:	<b>0 to 65535</b>
Default Value:	<b>10</b>
Default Access Level	<b>3</b>
Function number	<b>4020 to 4027</b>

Displays and sets the alarm relay hysteresis limit for the selected channel. To set a relay hysteresis value go to the **HYST** function and use the **▲** or **▼** push buttons to set the value required then press **F** to accept this value. The hysteresis value is common to Fault, Low and High setpoint values. The hysteresis value may be used to prevent too frequent operation of the relay when the measured value is rising and falling around setpoint value.

The hysteresis setting operates as follows: For the ascending alarms, once the alarm is activated the input must fall below the setpoint value minus the hysteresis value to reset the alarm. e.g. if **AL 3 H. 9h** is to **50.0** and **AL 3 HYST** is set to **3.0** then the channel 4 alarm will activate once the display value goes to **50.0** or above and will reset when the display value goes below **47.0** i.e. at **46.9** or below.

For the descending alarms, once the alarm is activated the input must rise above the setpoint value plus the hysteresis value to reset the alarm. e.g. if **AL 2 H. 9h** is to **0.0** and **AL 2 HYST** is set to **10.0** then the channel 5 alarm will activate when the display value falls below **0.0** and will reset when the display value goes above **10.0** i.e at **10.1** or above. The hysteresis units are expressed in displayed engineering units.

## 5.10 Alarm relay trip time

**Section:** **AL 1 to AL 8**  
**Display:** **tr, P**  
**Range:** **0 to 6553.5** secs  
**Default Value:** **0.0**  
**Default Access Level** **3**  
**Function number** **4040 to 4047**

Displays and sets the alarm trip time in seconds. The trip time is common for both alarm high and low setpoint values. The trip time provides a time delay before the alarm relay will activate when an alarm condition is present. The alarm condition must be present continuously for the whole trip time period before the alarm will activate. If the input moves out of alarm condition during this period the timer will reset and the full time delay will be restored. This trip time delay is useful for preventing an alarm trip due to short non critical deviations from setpoint. The trip time is selectable over **0.0** to **6553.5** seconds.

To set the trip time value go to the **tr, P** function, press **F** and when you see a digit of the value flash use the **▲** or **▼** push buttons to set the required value then press **F** to accept this selection.

**Example:** If **tr, P** is set to **5.0** seconds then the display must indicate an alarm value for a full 5 seconds before the relay will activate.

## 5.11 Alarm relay reset time

**Section:** **AL 1 to AL 8**  
**Display:** **rSt**  
**Range:** **0 to 6553.5** secs  
**Default Value:** **0.0**  
**Default Access Level** **3**  
**Function number** **4050 to 4057**

Displays and sets the alarm reset delay time in seconds. The reset time is common for both alarm high and low setpoint values. With the alarm condition is removed the alarm relay will stay in its alarm condition for the time selected as the reset time. If the input moves back into alarm condition during this period the timer will reset and the full time delay will be restored. The reset time is selectable over **0.0** to **6553.5** seconds.

To set the reset time value go to the **rSt** function, press **F** and when you see a digit of the value flash use the **▲** or **▼** push buttons to set the required value then press **F** to accept this selection.

**Example:** If **rSt** is set to **10.0** seconds then the resetting of alarm relay will be delayed by 10 seconds.

## 5.12 Relay selection

**Section:** **AL 1 to AL 8**  
**Display:** **FLYS**  
**Range:** **On** or **OFF**  
**Default Value:** **OFF**  
**Default Access Level** **4**  
**Function number** **4330 to 4337**

Allows a relay to be allocated to an alarm. For example if a high alarm value has been selected at the **AL 1 H, 9h** function this alarm could be allocated to relay 3 by selecting **FLY3 On** at this function. Press the **F** button to enter this function then use the **▲** or **▼** pushbuttons to choose the required relay then press the **F** button to toggle to **On** or **OFF** as required. When relay PI control is used alarm 1 is dedicated to relay 1 and alarm 2 is dedicated to relay 2 so no selection choice will appear when set for PI control.

## 5.13 Alarm trailing or setpoint mode

Section:	<b>AL2 to AL8</b>
Display:	<b>EL</b>
Range:	<b>SEt.P, EL 1, EL 2, EL 3, EL 4, EL 5, EL 6, EL 7</b>
Default Value:	<b>SEt.P</b>
Default Access Level	<b>4</b>
Function number	<b>4060 to 4067</b>

This function will not be seen unless relays are fitted to the instrument. Each alarm, except alarm 1, may be programmed to operate with an independent setpoint value (**SEt.P** selected) or may be linked to operate at a fixed difference to one or more other alarms, known as trailing operation. The operation is as follows:

- Alarm 1 (**AL 1**) is always independent.
- Alarm 2 (**AL2**) may be independent or may be linked to alarm 1 (**EL 1**).
- Alarm 3 (**AL3**) may be independent or may be linked to alarm 1 (**EL 1**) or alarm 2 (**EL 2**).
- Alarm 4 (**AL4**) may be independent or may be linked to alarm 1 (**EL 1**), alarm 2 (**EL 2**) or alarm 3 (**EL 3**).
- Alarm 5 (**AL5**) may be independent or may be linked to alarm 1 (**EL 1**), alarm 2 (**EL 2**), alarm 3 (**EL 3**) or alarm 4 (**EL 4**).
- Alarm 6 (**AL6**) may be independent or may be linked to alarm 1 (**EL 1**), alarm 2 (**EL 2**), alarm 3 (**EL 3**), alarm 4 (**EL 4**) or alarm 5 (**EL 5**).
- Alarm 7 (**AL7**) may be independent or may be linked to alarm 1 (**EL 1**), alarm 2 (**EL 2**), alarm 3 (**EL 3**), alarm 4 (**EL 4**), alarm 5 (**EL 5**) or alarm 6 (**EL 6**).
- Alarm 8 (**AL8**) may be independent or may be linked to alarm 1 (**EL 1**), alarm 2 (**EL 2**), alarm 3 (**EL 3**), alarm 4 (**EL 4**), alarm 5 (**EL 5**), alarm 6 (**EL 6**) or alarm 6 (**EL 7**).

The operation of each alarm is selectable by selecting, for example, (Alarm 4) **AL4 SEt.P** = alarm 4 normal setpoint or **AL4 EL 1** = alarm 4 trailing alarm 1 or **AL4 EL 2** = alarm 4 trailing alarm 2 or **AL4 EL 3** = alarm 4 trailing relay 3. For trailing set points the setpoint value is entered as the difference from the setpoint being trailed.

If the trailing setpoint is to operate ahead of the prime setpoint then the value is entered as a positive number and if operating behind the prime setpoint then the value is entered as a negative number.

**Notes:** If a high (**AL x H, 9h**) trailing alarm is set then this will only follow the high alarm setting of the alarm it is set to trail. Similarly a low alarm will only trail a low alarm of the alarm it is set to trail. It is possible to use trailing alarms with both high and low alarm settings used for each relay.

**Example 1 - High alarm:** With alarm 2 set to trail alarm 1, if **AL 1 H, 9h** is set to **1000** and **AL2 H, 9h** is set to **50** then alarm 1 will activate at **1000** and alarm 2 will activate at **1050** (i.e. 1000 + 50). If alarm 2 had been set at **-50** then alarm 2 would activate at **950** (i.e. 1000 - 50) or above.

**Example 2 - Low alarm:** With alarm 2 set to trail alarm 1, if **AL 1 Lo** is set to **600** and **AL2 Lo** is set to **200** then alarm 1 will activate at **600** and alarm 2 will activate at **800** (i.e. 600 + 200). If alarm 2 had been set at **-200** then alarm 2 would activate at **400** (i.e. 600 - 200) or below.

## 5.14 Relay operation mode

**Section:** **AL 1 to AL 2**  
**Display:** **OPER**  
**Range:** **H.Lo, Ctri or FFE9**  
**Default Value:** **H.Lo**  
**Default Access Level** **4**  
**Function number** **4160 to 4167**

The relay operation can be set for simple on/off operation from a high and or low setpoint value **H.Lo** of can be set for PI control operation (**Ctri** or **FFE9**). The alarm operation mode is only available for alarms 1 and 2 using relays 1 and 2.

## 5.15 Relay PI control span

**Section:** **AL 1 to AL 8**  
**Display:** **SPAN**  
**Range:** Any display value  
**Default Value:** **1000**  
**Default Access Level** **4**  
**Function number** **4290 to 4297**

Allows setting of the control span, refer to “Setting up the relay PI control” chapter in the Addendum booklet.

## 5.16 Relay PI control setpoint

**Section:** **AL 1 to AL 8**  
**Display:** **SETP**  
**Range:** Any display value  
**Default Value:** **1000**  
**Default Access Level** **4**  
**Function number** **4200 to 4207**

Allows setting of the control setpoint, refer to “Setting up the relay PI control” chapter in the Addendum booklet.

## 5.17 Relay PI control proportional gain value

**Section:** **AL 1 to AL 8**  
**Display:** **P.G**  
**Range:** Any display value  
**Default Value:** **0.010**  
**Default Access Level** **4**  
**Function number** **4210 to 4217**

Allow the relay PI control proportional gain to be set, refer to “Setting up the relay PI control” chapter in the Addendum booklet.

## 5.18 Relay PI control integral gain value

Section:	<b>AL 1 to AL 8</b>
Display:	<b>1.9</b>
Range:	Any display value
Default Value:	<b>0.000</b>
Default Access Level	<b>4</b>
Function number	<b>4220 to 4227</b>

Allow the relay PI control integral gain to be set, refer to “Setting up the relay PI control” chapter in the Addendum booklet.

## 5.19 Relay PI control integral high limit value

Section:	<b>AL 1 to AL 8</b>
Display:	<b>1.H</b>
Range:	<b>0 to 100.0 %</b>
Default Value:	<b>0.000</b>
Default Access Level	<b>4</b>
Function number	<b>4240 to 4247</b>

Allow the relay PI control integral high limit to be set, refer to “Setting up the relay PI control” chapter in the Addendum booklet.

## 5.20 Relay PI control integral low limit value

Section:	<b>AL 1 to AL 8</b>
Display:	<b>1.L</b>
Range:	<b>0 to 100.0 %</b>
Default Value:	<b>100.0</b>
Default Access Level	<b>4</b>
Function number	<b>4250 to 4257</b>

Allow the relay PI control integral low limit to be set, refer to “Setting up the relay PI control” chapter in the Addendum booklet.

## 5.21 Relay PI control bias

Section:	<b>AL 1 to AL 8</b>
Display:	<b>b, AS</b>
Range:	<b>0 to 100.0 %</b>
Default Value:	<b>50.0</b>
Default Access Level	<b>4</b>
Function number	<b>4260 to 4267</b>

Allow the relay PI control bias to be set, refer to “Setting up the relay PI control” chapter in the Addendum booklet.

## 5.22 Relay PI control duty cycle

Section: **AL 1 to AL 8**  
Display: **duty SECS**  
Range: **0 to 6553.5** secs  
Default Value: **10.0**  
Default Access Level **4**  
Function number **4270 to 4277**

Allows the relay PI control duty cycle to be set, refer to “Setting up the relay PI control” chapter in the Addendum booklet.

## 5.23 Relay PI frequency control “on” time

Section: **AL 1 to AL 8**  
Display: **on SECS**  
Range: **0 to 6553.5** secs  
Default Value: **1.0**  
Default Access Level **4**  
Function number **4280 to 4287**

Allows the relay PI frequency control “on” time to be set, refer to “Setting up the relay PI control” chapter in the Addendum booklet.

## 5.24 Alarm input channel selection

Section: **AL 1 to AL 8**  
Display: **Ch**  
Range: **CH 1, CH 2, CH 3, CH 4, CH 5, CH 6, CH 7, CH 8, CC 1, CC 2, CC 3, CC 4, CC 5, CC 6, CC 7, CC 8**  
Default Value: **CH 1**  
Default Access Level **4**  
Function number **4070 to 4077**

Allows selection of which channel the alarm will operate from. A physical input channel **CH 1 to CH 8** or a calculation channel **CALC 1 to CALC 8** can be chosen as the channel whose value will be used for the alarm. To select the channel go to the required alarm and press the **F** button to enter the alarm setup then use the **▲** or **▼** pushbutton until the display shows the required channel and then press the **F** button to accept this selection and store it in memory.

For example to select alarm 1 to operated from calculated channel 2 go to the **AL 1 Ch** function and press the **F** button, use the **▲** or **▼** until the **CALC 2** channel is on the display then press the **F** button to accept this selection and store it in memory.

## 5.25 Alarm relay latching operation

Section: **AL 1 to AL 8**  
Display: **Ltch**  
Range: **Auto, Ltch, A.b, L.b**  
Default Value: **Auto**  
Default Access Level **4**  
Function number **4170 to 4177**

Allows selection of alarm latching operation. If set to **Auto** the alarm relays will not latch i.e. they will



automatically reset when the display moves out of alarm condition. If set to **Latch** the relay will latch and will not reset until the display value is out of alarm condition and either the **F** button is pressed to clear the latch condition or if power is removed. The relay hysteresis, trip time and reset time settings still apply to latching relays.

In latching mode the alarm annunciator (if annunciators are fitted) will flash when the display goes into alarm condition. If the display goes out of alarm condition without being acknowledged the flashing period will change to give a longer “off” time. If the alarm is acknowledged by pressing the **F** button then the annunciator will change from flashing to solidly lit. Once the alarm has been acknowledged the relay will be free to reset once the display value moves out of alarm condition.

## 5.26 Alarm relay normally open/closed

Section: **FL 1 to FL 8**  
 Display: **FLY**  
 Range: **n.o, n.c**  
 Default Value: **n.o**  
 Default Access Level **4**  
 Function number **4030 to 4037**

Displays and sets the setpoint alarm relay *x* action to normally open (de-energised) or normally closed (energised), when no alarm condition is present. Since the relay will always open when power is removed a normally closed alarm is often used to provide a power failure alarm indication. To set the alarm relay for normally open or closed go to the **FL 1 to FL 8 FLY** function and use the **▲** or **▼** push buttons to set the required operation then press **F** to accept this selection. **Example:**

If set to **A n.o** alarm relay 1 will be open circuit when the display is outside alarm condition and will be closed (short circuit across COM and N/O terminals) when the display is in alarm condition.

## 5.27 Relay acknowledge

Section: **FL 1 to FL 8**  
 Display: **ACK**  
 Range: **OFF or ON**  
 Default Value: **OFF**  
 Default Access Level **4**  
 Function number **4320 to 4327**

If an alarm has been set to latching operation it will not reset until the reading is outside its alarm condition and the operator has acknowledged the alarm by pressing the **F** button (where fitted) or using a **P** button of remote input to acknowledge the alarm. If the **ACK** is set to **ON** the operator can acknowledge the alarm whilst still in alarm condition allowing the alarm to reset automatically when the reading moves outside the alarm condition.

## 5.28 Alarm relay Boolean logic operation

Section: **FL 1 to FL 8**  
 Display: **bool**  
 Range: **Or, And**  
 Default Value: **Or**  
 Default Access Level **4**  
 Function number **4310 to 4317**

This function allows a Boolean logic AND (**And**) or OR (**Or**) function to be applied to alarms. If two or more alarms use the same relay and that relay is set to operate as an OR operation then this effectively

puts the alarms in parallel. If two or more alarms use the same relay that relay is set to operate on an AND operation then this effectively puts the alarms in series.

Examples: 1. If alarms 1, 2 and 3 all use relay 1 and relay 1 is set for **Or** operation then relay 1 will activate if the display value for the selected channels for these alarms causes either alarm 1 or alarm 2 or alarm 3 to go into alarm condition. i.e. relay 1 will activate if any of the alarms is in alarm condition.

2. If alarms 1, 2 and 3 all use relay 1 and relay 1 is set for **And** operation then relay 1 will activate if the display value for the selected channels for these alarms causes alarm 1 and alarm 2 and alarm 3 to go into alarm condition. i.e. all 3 alarms must be in alarm condition for relay 1 to activate.

## 5.29 Input channel decimal point selection

**Section:** **1 NP 1 to 1 NP 8**  
**Display:** **dP**  
**Range:** **0, 0. 1**  
**Default Value:** **0**  
**Default Access Level** **4**  
**Function number** **4 100 to 4 107**

This function allows the user to select the decimal point for the input channel displays. In temperature displays the choice will be **0** (no decimal point) or **0. 1** (one decimal point).

## 5.30 Input channel display rounding selection

**Section:** **1 NP 1 to 1 NP 8**  
**Display:** **d.rnd**  
**Range:** **1 to 5000**  
**Default Value:** **0**  
**Default Access Level** **4**  
**Function number** **4360 to 4367**

This function allows the user to select the display rounding for the input channel display. Display rounding allow the resolution of the display to be reduced to an acceptable level whilst minimising any distracting changing of display value at each sample. For example with this function set to **5** the value displayed will be rounded up or down and will change in multiples of 5 only e.g. 0, 5, 10, 15 etc. and values in between will not be shown.

## 5.31 Input filter

**Section:** **1 NP 1 to 1 NP 8**  
**Display:** **FLtR**  
**Range:** **0, 1, 2, 3, 4, 5, 6, 7, 8**  
**Default Value:** **2**  
**Default Access Level** **4**  
**Function number** **43C0 to 43C7**

Displays and sets the digital filter value. Digital filtering uses a weighted average method of determining the display value and is used for reducing display value variation due to short term interference. The digital filter range is selectable from **0** to **8**, where **0** = none and **8** = most filtering. Use **▲** or **▼** at the **FLtR** function to alter the filter level if required. Note that the higher the filter setting the longer the display may take to reach its final value when the input is changed, similarly the relay operation and any output options will be slowed down when the filter setting is increased. To set the digital filter value go to the **FLtR** function and use the **▲** or **▼** push buttons to set the required value then press **F** to accept this selection.

## 5.32 Thermocouple input type

Section: **INP 1 to INP 8**  
Display: **TYPE**  
Range: **b, E, J, K, N, R, S, t**  
Default Value: **N**  
Default Access Level **4**  
Function number **4110 to 4117**

This function allows the user to select the thermocouple input type for each channel. Choices are **b, E, J, K, N, R, S** or **t** type.

## 5.33 Copy channel settings to another channel

Section: **INP 1 to INP 8**  
Display: **COPY to**  
Range: **NONE, 2, 3, 4, 5, 6, 7, 8**  
Default Value: **NONE**  
Default Access Level **4**  
Function number **20E0 to 20E7**

This function allows selected channel settings of decimal point, display rounding, digital filter and input type to be copied to another channel e.g. if **INP 5 COPY to** function is selected as **7** is chosen in this function then channel 5 settings will be copied to channel 7. Once completed another channel may be chosen i.e. if all channels are to have the same input settings it is possible to set one channel then copy these settings to all other channels one at a time. Once the copy to channel is chosen press the **F** button, the display will then return to **NONE** but the settings will have been copied. The calibration will not be copied.

## 5.34 Uncalibrate the input channel

Section: **INP 1 to INP 8**  
Display: **U.CAL**  
Range: **n/a**  
Default Value: **n/a**  
Default Access Level **CAL**  
Function number **0b20 to 0b27**

This function allows the user to clear the calibration memory for the selected channel. If calibration problems have been encountered on a particular channel it is recommended that the channel be uncalibrated and then the reading checked before any new calibration attempt is made. If the temperature reading after uncalibration is not close to the expected reading then this indicates that there is a problem (e.g. a problem with the input sensor) which should be investigated before a new calibration is attempted.

## 5.35 First calibration point for selected input

Section: **INP 1 to INP 8**  
Display: **CAL 1**  
Range: **n/a**  
Default Value: **n/a**  
Default Access Level **CAL**  
Function number **0b00 to 0b07**

This function as the first calibration point of a two point temperature calibration. See also the **U.CAL** and

**OFFSE** functions. If calibration problems are encountered use the **U.CAL** to uncalibrate i.e. clear the previous calibration memory. Once the calibration memory has been cleared check the temperature reading prior to calibrating, if a large error exists then do not proceed with calibration until this has been corrected, check that the correct sensor type has been selected and that the sensor output and wiring are correct.

The calibration procedure for the first calibration point is:

- With the temperature probe at known low temperature allow time for the temperature to settle then go to the **CAL 1** function for the required input channel e.g. **1 NP6 CAL 1** when calibrating input 6.
- The display should show **NO**. Press the **F** pushbutton, the **NO** should flash. Press the **▲** or **▼** pushbutton until the display changes to a flashing **YES** then press the **F** button.
- The display should show **CAL 1** followed by the channel number followed by a live temperature reading. Press **▲** or **▼** pushbutton.
- The display should show **SCALE** followed by a value which is flashing. Use the **▲** or **▼** pushbutton to make the display show the required known temperature then press the **F** button.
- The display should show the message **CAL End** and return to the input menu.

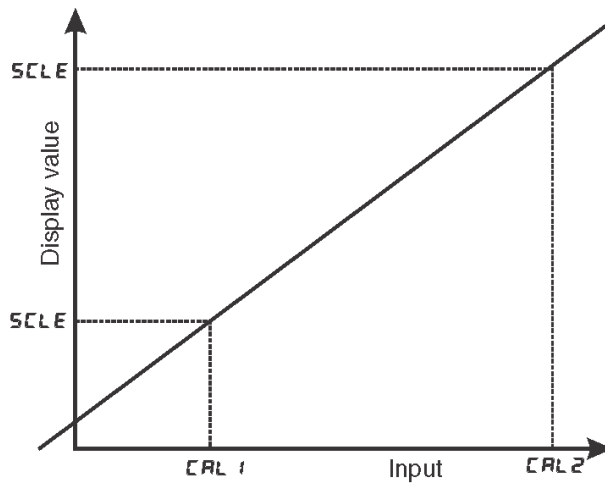
## 5.36 Second calibration point for selected input

Section:	<b>1 NP 1 to 1 NP8</b>
Display:	<b>CAL 2</b>
Range:	n/a
Default Value:	n/a
Default Access Level	<b>CAL</b>
Function number	<b>0b 10 to 0b 17</b>

This function as the second calibration point of a two point temperature calibration. See also the **CAL 1** first point calibration function.

The calibration procedure for the second calibration point is:

- With the temperature probe at known higher temperature than the first calibration point (must be at least 10% of the sensor full range change in temperature) allow time for the temperature to settle then go to the **CAL 2** function for the required input channel e.g. **1 NP6 CAL 2** when calibrating input 6.
- The display should show **NO**. Press the **F** pushbutton, the **NO** should flash. Press the **▲** or **▼** pushbutton until the display changes to a flashing **YES** then press the **F** button.
- The display should show **CAL 2** followed by the channel number followed by a live temperature reading. Press **▲** or **▼** pushbutton.
- The display should show **SCALE** followed by a value which is flashing. Use the **▲** or **▼** pushbutton to make the display show the required known temperature then press the **F** button.
- The display should show the message **CAL End** and return to the input menu.

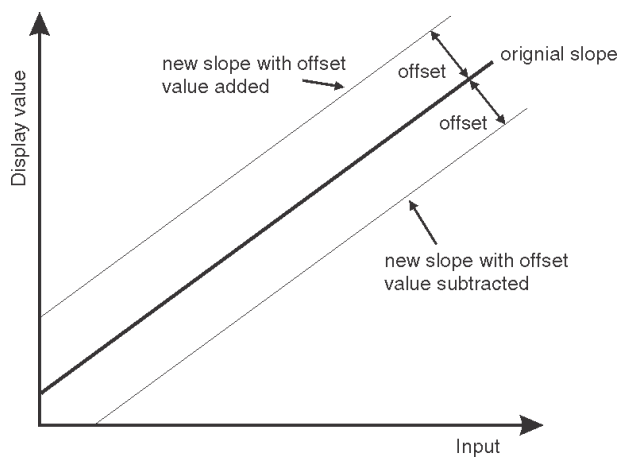


### 5.37 Calibration offset

**Section:** `INP 1` to `INP 8`  
**Display:** `OFFSt`  
**Range:** n/a  
**Default Value:** n/a  
**Default Access Level:** `CAL`  
**Function number:** `0b60` to `0b67`

The offset can be used to adjust for a consistent error in the display reading. The offset allows a value to be added or subtracted from the displays previous values. The offset procedure is:

- Go to the `OFFSt` function for the required channel and press `F` the display will flash `00` use the `▲` pushbutton to toggle to `YES` and press `F` again.
- The display will show the live display reading. Press `F` the display will now eventually show a value with the last digit flashing. Use the `▲` or `▼` button to adjust the value to the reading required for the input present at this time.
- When the new value is displayed press `F` the message `OFFSt End` should be displayed and the display will then return to the input menu.



## 5.38 Calculation channel function

Section: **CC 1 to CC 8**  
Display: **Func**  
Range: **H<sub>i</sub>, Lo, di FF, A<sub>U</sub>9, d.A<sub>U</sub>9, P.A<sub>U</sub>9, n.A<sub>U</sub>9, S.di F**  
Default Value: **H<sub>i</sub>**  
Default Access Level **4**  
Function number **4E 10 to 4E 17**

Allows selection of the function to be used for each calculated channel. Options are:

**OFF** - calculated channel not used.

**H<sub>i</sub>** - calculated channel shows the highest positive value from all of the selected input channels.

**Lo** - calculated channel shows the lowest value from all of the selected input channels.

**di FF** - calculated channel shows the difference in value between the highest and lowest selected input channel readings.

**A<sub>U</sub>9** - calculated channel shows the average of all selected input channel readings. **P.A<sub>U</sub>9** - calculated channel shows a value equal to the highest positive value and the average of the selected channels.

**n.A<sub>U</sub>9** - calculated channel shows a value equal to the average minus the lowest value of the selected channels.

**S.di FF** - calculated channel shows the difference (positive or negative) between the first two selected active channels.

**Example 1:** To program calculated channel 1 to activate relay 1 and 2 to operate on an highest value if the value of any of the 8 inputs exceeds 120 the basic settings are:

- At the **CONF CHAN Cnt** function ensure that at least one calculation channel is set
- Set **AL 1 H<sub>i</sub> 9h** to **120**
- Set **AL 1 FLYS** to **FLY 1 On** and **FLY 2 On**
- Set **AL 1 OPER** to **H<sub>i</sub>.Lo**
- Set **AL 1 Ch** to **CC 1**
- Set **CC 1 Func** to **H<sub>i</sub>**
- Set **CC 1 Chan SEL** to **Ch 1 On, Ch 2 On, Ch 3 On, Ch 4 On, Ch 5 On, Ch 6 On, Ch 7 On** and **Ch 8 On**

Relays 1 and 2 will now activate if any of the 8 inputs exceeds a value of 120 and if annunciators are fitted annunciator 1 will flash. In the example above if **AL 1 Lo** had been set to **120** with the high alarm set to **OFF** then the relays would activate if any of the inputs falls below 120.

**Example 2:** To program calculated channel 1 to activate relay 1 to operate on a difference value if the difference between inputs 1 and 2 exceeds a value of 20 the basic settings are:

- At the **CONF CHAN Cnt** function ensure that at least one calculation channel is set
- Set **AL 1 H<sub>i</sub> 9h** to **20**
- Set **AL 1 FLYS** to **FLY 1 On**
- Set **AL 1 OPER** to **H<sub>i</sub>.Lo**
- Set **AL 1 Ch** and to **CC 1**
- Set **CC 1 Func** to **di FF**
- Set **CC 1 Chan SEL** to **Ch 1 On** and **Ch 2 On**

Relay 1 will now activate if the difference between input channels 1 and 2 exceeds a value of 20 and if annunciators are fitted annunciator 1 will flash. In the example above if **AL 1 Lo** had been set to **20** with the high alarm set to **OFF** then the relay would activate if the difference between the two inputs was less than 20.

### 5.39 Calculation channel data log

Section:                    **CC 1 to CC 8**  
 Display:                   **d.Lo9**  
 Range:                     **OFF** or **ON**  
 Default Value:           **OFF**  
 Default Access Level    **4**  
 Function number         **4E50 to 4E57**

Applicable only when the internal data logger option is fitted. This function allows the calculated channel values to be added to the values logged by the data logger when set to **ON** or stops the values being added to the logged values when set to **OFF**.

### 5.40 Calculation channel display

Section:                    **CC 1 to CC 8**  
 Display:                   **d.SP**  
 Range:                     **OFF** or **ON**  
 Default Value:           **OFF**  
 Default Access Level    **4**  
 Function number         **4E60 to 4E67**

This function allows the user to select whether or not the calculated channel is shown on the display along with the input channels. Each calculated channel can be independently set to **ON** or **OFF** i.e. it is possible to select only those channels you wish to see. If set to **OFF** the calculated channel selected will not be displayed. If set to **ON** the calculated channel selected will be displayed and will show a **c** on the display e.g. a display of **123c4** would indicate the calculated channel 4 value is 123.

### 5.41 Calculation channel decimal point

Section:                    **CC 1 to CC 8**  
 Display:                   **dP**  
 Range:                     **0, 0.1**  
 Default Value:           **0**  
 Default Access Level    **4**  
 Function number         **4E70 to 4E77**

This function allows the user to select the decimal point for the calculated channel display. In temperature displays the choice will be **0** (no decimal point) or **0.1** (one decimal point). In other displays this may go up to **0.003** (3 decimal points). The decimal points for the calculated channel do not need to match those of the physical input channels but allowances need to be made for the number of display digits available.

## 5.42 Calculation channel display rounding

**Section:** CC 1 to CC 8  
**Display:** d.rnd  
**Range:** 1 to 5000  
**Default Value:** 1  
**Default Access Level:** 4  
**Function number:** 4E80 to 4E87

This function allows the user to select the display rounding for the calculated channel display. Display rounding allow the resolution of the display to be reduced to an acceptable level whilst minimising any distracting changing of display value at each sample. For example with this function set to **5** the value displayed will be rounded up or down and will change in multiples of 5 only e.g. 0, 5, 10, 15 etc. and values in between will not be shown.

## 5.43 Calculation channel selection

**Section:** CC 1 to CC 8  
**Display:** CHAn SEL  
**Range:** CH 1, CH 2, CH 3, CH 4, CH 5, CH 6, CH 7, CH 8, CC 1, CC 2, CC 3, CC 4, CC 5, CC 6, CC 7, CC 8  
**Default Value:** n/a  
**Default Access Level:** 4  
**Function number:** 4E20 to 4E27

This function allows the user to select which the available channels the calculated channel will use by turning each channel on (**On**) or off (**OFF**). For example if you wish to display the highest input from physical inputs 2, 4 and 6 on calculated channel 1 then at the **CC 1 CHAn SEL** function set **CH 2, CH 4** and **CH 6** to **On** and set all other channels to **OFF**.

Note this function allows both physical input channels and other calculated channels to be used as inputs for the calculated result. e.g. in the example above it would also be possible to choose to display the highest value from **CH 2, CH 4, CH 6** or **CC 2** (calculated channel 2).

See the **Func** function for a list of the mathematical calculations available.

## 5.44 Automatic display brightness

**Section:** d! SP  
**Display:** brgt Auto  
**Range:** OFF or On  
**Default Value:** On  
**Default Access Level:** 2  
**Function number:** 22FC

Automatic display brightness adjustment. Applies only to instruments with light sensor fitted. The automatic brightness adjustment uses the optional light sensor to gauge the required brightness level for the environment. The high and low brightness limits are set at the **Auto H, 9h** and **Auto Lo** functions described below.



## 5.45 Display brightness

Section: **d: 5P**  
Display: **br 9t**  
Range: **1 to 63**  
Default Value: **63**  
Default Access Level **2**  
Function number **22Fb**

Allows manual adjustment of the display brightness from 1 (lowest brightness) to 63 (highest brightness).

## 5.46 Dimmed display brightness

Section: **d: 5P**  
Display: **dul 1**  
Range: **0 to 63**  
Default Value: **7**  
Default Access Level **2**  
Function number **22Ee**

Displays and sets the manually set level for remote input brightness switching. When a remote input is set to **dul 1** the remote input can be used to switch between the display brightness level set by the **br 9t** function and the dimmed display brightness set by the **dul 1** function. The display dull level is selectable from **0** to **63**, where **0** = lowest intensity and **63** = highest intensity. This function is useful in reducing glare when the display needs to be viewed in both light and dark ambient light levels.

## 5.47 Auto display brightness high level

Section: **d: 5P**  
Display: **Auto H, 9h**  
Range: **15 to 63**  
Default Value: **63**  
Default Access Level **2**  
Function number **22EA**

Automatic brightness high level - seen only when **br 9t Auto** is set to **00**. The high brightness level sets the maximum brightness which the automatic brightness control can achieve with 64 being the highest intensity.

## 5.48 Auto display brightness low level

Section: **d: 5P**  
Display: **Auto Lo**  
Range: **1 to 63**  
Default Value: **7**  
Default Access Level **2**  
Function number **22Eb**

Automatic brightness low level - seen only when **br 9t Auto** is set to **00**. The low brightness level sets the minimum brightness which the automatic brightness control can achieve with **64** being the highest intensity and **0** being the lowest intensity.

## 5.49 Timer for low brightness level

Section:	<b>d! 5P</b>
Display:	<b>d.OFF</b>
Range:	<b>0</b> to Maximum display value mins
Default Value:	<b>0</b>
Default Access Level	<b>2</b>
Function number	<b>22EE</b>

This function can be used to select the number of minutes for the automatic display dulling (brightness falls to the level set at the **d! 1** function). If set to **0** the auto display blanking is disabled and the display will remain on. If set to a number other than **0** then the display will switch off in the number of minutes set. When the display blanks the alarm annunciators, the input reading and the channel number will all be blanked. Timing for the auto blanking starts from the last keypad operation i.e. from the last time the **P**, **F**, **▲** or **▼** button was pressed. To turn the display back on or to restart the timing process simply press any of these buttons. The instrument will continue to measure input, operate alarms etc. even if the display is blank. The display blanking is provided primarily to reduce power consumption in battery powered applications .

## 5.50 Optional analog output functions

See the “LD5 Series Large Digit Display Output Addendum” booklet for details of the optional analog retransmission PI control functions available

## 5.51 Analog retransmission outputs

Section:	<b>r0 1 to r0 2</b>
Display:	<b>0.0tP</b>
Range:	<b>4-20, 0- 1.0, 0- 10</b>
Default Value:	<b>4-20</b>
Default Access Level	<b>4</b>
Function number	<b>4 140 to 4 14 1</b>

One or two analog outputs are optionally available in either 12 or 16 bit versions. The 12 bit version output is fixed at 4-20mA. With the 16 bit version the user can select 4-20mA, 0-1VDC or 0-10VDC output at this function.

## 5.52 Analog retransmission input channel

Section:	<b>r0 1 to r0 2</b>
Display:	<b>i nPt</b>
Range:	Any available channel, or calculated channel or digital select
Default Value:	<b>CH 1</b>
Default Access Level	<b>4</b>
Function number	<b>43E0 to 43E 1</b>

This function allows selection of which channel the selected analog output is to follow. The output can follow any input channel or and calculation channel. For example to select analog output 1 to follow input channel 3 set the **r0 1 i nPt** function to **CH3**. Alternatively when **d.SEL** is chosen the output channel can be set to selected via the remote inputs. See the remote input functions and electrical installation chapter remote input details. Note that if the **d.SEL** mode is selected all input channels and calculated channels selected for retransmission must have the same decimal point setting.

## 5.53 Analog retransmission low display value

Section: **r01 to r02**  
Display: **Lo**  
Range: Any display value  
Default Value: **0**  
Default Access Level **4**  
Function number **4120 to 4121**

This function can be used to set the analog retransmission signal output low value in displayed engineering units. For example to set analog output 1 to retransmit 4mA (or 0V if available) for a display value of zero set **r01Lo** to **0**.

## 5.54 Analog retransmission high display value

Section: **r01 to r02**  
Display: **H, 9h**  
Range: Any display value  
Default Value: **1000**  
Default Access Level **4**  
Function number **4130 to 4131**

This function can be used to set the analog retransmission signal output high value in displayed engineering units. For example to set analog output 1 to retransmit 20mA (or 1V or 10V if available) for a display value of 200 set **r01Lo** to **200**.

## 5.55 Front P button operation mode

Section: **r1nP**  
Display: **P.but**  
Range: **NONE, P.H, P.Lo, H, .Lo, AL.Ac**  
Default Value: **NONE**  
Default Access Level **4**  
Function number **4720**

Sets the operation mode for front P button. Functions available are identical to the same functions used in the **r1n.1** to **r1n.4** functions.

## 5.56 Remote input 1 operation mode

Section: **r1nP**  
Display: **r1n.1**  
Range: **NONE, P.Hold, d.Hold, P.H, P.Lo, H, .Lo, AL.Ac, ACCS, dult, r.SEI**  
Default Value: **NONE**  
Default Access Level **r1n.1**  
Function number **4721**

Sets the operation mode for remote input 1 terminal. Choices are as follows:

- **NONE** - If this option is selected then remote input 1 will have no function.
- **P.Hold** - peak hold. The display will show the peak value (highest positive value) only whilst the remote input terminals are short circuited i.e. the display value can rise but not fall whilst the input terminals are short circuited. The message **P.Hold** will appear briefly every 8 seconds whilst

the input terminals are short circuited to indicate that the peak hold function is active. All active channels will be peak held when this mode is chosen and activated.

- **d.Hold** - display hold. The display value will be held whilst the remote input terminals are short circuited. The message **d.HLD** will appear briefly every 8 seconds whilst the input terminals are short circuited to indicate that the display hold function is active. All active channels will be display held when this mode is chosen and activated.
- **P.H.** - peak memory. The peak value stored in memory will be displayed if the remote input terminals are short circuited, if the short circuit is momentary then the display will return to normal measurement after 20 seconds. If the short circuit is held for 2 to 3 seconds or the power is removed from the instrument then the memory will be reset, a **rSt** message will be seen if the memory is reset by holding a short circuit for 2 to 3 seconds. The peak high mode will operate on all active channels.
- **P.Lo** - valley memory. The minimum value stored in memory will be displayed. Otherwise operates in the same manner as the **P.H.** function described above. The peak low mode will operate on all active channels.
- **H.Lo** - toggle between **H.** and **Lo** displays. This function allows the remote input to be used to toggle between peak and valley memory displays. The first operation of the remote input will cause the peak memory value to be displayed, the next operation will give a valley memory display. **P.H.** or **P.Lo** will flash before each display to give an indication of display type. The peak high/low mode will operate on all active channels.
- **Al.Ac** - alarm acknowledge. Allows the remote input to be used to acknowledge an alarm. If the alarm is set for latching operation the acknowledgment will allow the alarm and any relays allocated to that alarm to reset when the alarm condition is removed. If the alarm is set for automatic reset the acknowledgment will allow the alarm and any relays allocated to that alarm to reset even if the alarm condition still exists this could typically be used to silence a siren controlled by a relay even though the alarm condition is still present. The acknowledge will operate on all alarms programmed to require acknowledgement.
- **ACCESS** - remote input access. Allows the remote input to be used for setup function access control purposes. Refer to the “ Accessing setup functions” in the Introduction chapter.
- **dull** - remote dulling of the display. When activated the display brightness will fall to the level set by the **dSPdull** level. This is generally used to reduce current consumption in battery powered applications or for switching between day and night brightness levels.

## 5.57 Remote input 2 operation mode

Section:	<b>F.1 NP</b>
Display:	<b>F.1 N.2</b>
Range:	<b>NONE, P.Hold, d.Hold, P.H., P.Lo, H.Lo, Al.Ac, ACCESS, dull, F.SET</b>
Default Value:	<b>NONE</b>
Default Access Level	<b>4</b>
Function number	<b>4722</b>

Remote input 2 functions. Same choices as **F.1 NP F.1 N.1** apply.

## 5.58 Remote input 3 operation mode

Section: **F.I NP**  
Display: **F.I N.3**  
Range: **NONE, P.Hi d, d.Hi d, P.Hi, P.Lo, Hi .Lo, AL.Ac, ACCS, dui 1, F.SEI**  
Default Value: **NONE**  
Default Access Level **4**  
Function number **4723**

Remote input 3 functions. Same choices as **F.I NP F.I N. 1** apply.

## 5.59 Remote input 4 operation mode

Section: **F.I NP**  
Display: **F.I N.4**  
Range: **NONE, P.Hi d, d.Hi d, P.Hi, P.Lo, Hi .Lo, AL.Ac, ACCS, dui 1, F.SEI**  
Default Value: **NONE**  
Default Access Level **4**  
Function number **4724**

Remote input 4 functions. Same choices as **F.I NP F.I N. 1** apply.

## 5.60 Remote input (digital inputs) 1 pull up/down operation

Section: **d.i n**  
Display: **d.i n. 1 P.UP**  
Range: **OPEN, Hi 9h, Lo**  
Default Value: **Hi 9h**  
Default Access Level **4**  
Function number **4A50**

This function sets the voltage level present on the digital input terminal. If set to **Hi 9h** a 5VDC voltage will be placed on the input terminal via a pull up resistor and a short circuit to ground or voltage below 2V will be required to activate the remote input. If set to **Lo** then the input terminal will be connected to ground via a pull down resistor and a voltage between 5 and 24VDC will be required at the input to activate the remote input. If set to **OPEN** then both the pull up and pull down resistors will be taken out of circuit and the terminal voltage will be “floating”, this choice can be used when input devices are used which may supply their own voltage to the digital input terminal, maximum acceptable voltage is 24VDC.

## 5.61 Remote input (digital inputs) 1 input level

Section: **d.i n**  
Display: **d.i n. 1 Lvl**  
Range: **Hi 9h, Lo**  
Default Value: **Lo**  
Default Access Level **4**  
Function number **4A58**

This function sets the input level required to activate the remote input. A setting of **Lo** means that a low voltage usually 0V or a short circuit to ground will activate the remote input. A setting of **Hi 9h** means that a voltage of 5 to 24V is required to activate the remote input.

## 5.62 Remote input (digital inputs) 2 pull up/down operation

Section: **d.i.n**  
Display: **d.i.n.2 P.UP**  
Range: **OPEN, H, 9h, Lo**  
Default Value: **H, 9h**  
Default Access Level **4**  
Function number **4A51**

This function sets the voltage level present on the digital input terminal. If set to **H, 9h** a 5VDC voltage will be placed on the input terminal via a pull up resistor and a short circuit to ground or voltage below 2V will be required to activate the remote input. If set to **Lo** then the input terminal will be connected to ground via a pull down resistor and a voltage between 5 and 24VDC will be required at the input to activate the remote input. If set to **OPEN** then both the pull up and pull down resistors will be taken out of circuit and the terminal voltage will be “floating”, this choice can be used when input devices are used which may supply their own voltage to the digital input terminal, maximum acceptable voltage is 24VDC.

## 5.63 Remote input (digital inputs) 2 input level

Section: **d.i.n**  
Display: **d.i.n.2 Lu!**  
Range: **H, 9h, Lo**  
Default Value: **Lo**  
Default Access Level **4**  
Function number **4A59**

This function sets the input level required to activate the remote input. A setting of **Lo** means that a low voltage usually 0V or a short circuit to ground will activate the remote input. A setting of **H, 9h** means that a voltage of 5 to 24V is required to activate the remote input.

## 5.64 Remote input (digital inputs) 3 pull up/down operation

Section: **d.i.n**  
Display: **d.i.n.3 P.UP**  
Range: **OPEN, H, 9h, Lo**  
Default Value: **H, 9h**  
Default Access Level **4**  
Function number **4A52**

This function sets the voltage level present on the digital input terminal. If set to **H, 9h** a 5VDC voltage will be placed on the input terminal via a pull up resistor and a short circuit to ground or voltage below 2V will be required to activate the remote input. If set to **Lo** then the input terminal will be connected to ground via a pull down resistor and a voltage between 5 and 24VDC will be required at the input to activate the remote input. If set to **OPEN** then both the pull up and pull down resistors will be taken out of circuit and the terminal voltage will be “floating”, this choice can be used when input devices are used which may supply their own voltage to the digital input terminal, maximum acceptable voltage is 24VDC.

## 5.65 Remote input (digital inputs) 3 input level

Section: **d. n**  
Display: **d. n.3 Lvl**  
Range: **H, 9h, Lo**  
Default Value: **Lo**  
Default Access Level **4**  
Function number **4A5A**

This function sets the input level required to activate the remote input. A setting of **Lo** means that a low voltage usually 0V or a short circuit to ground will activate the remote input. A setting of **H, 9h** means that a voltage of 5 to 24V is required to activate the remote input.

## 5.66 Remote input (digital inputs) 4 pull up/down operation

Section: **d. n**  
Display: **d. n.4 P.UP**  
Range: **OPEN, H, 9h, Lo**  
Default Value: **H, 9h**  
Default Access Level **4**  
Function number **4A53**

This function sets the voltage level present on the digital input terminal. If set to **H, 9h** a 5VDC voltage will be placed on the input terminal via a pull up resistor and a short circuit to ground or voltage below 2V will be required to activate the remote input. If set to **Lo** then the input terminal will be connected to ground via a pull down resistor and a voltage between 5 and 24VDC will be required at the input to activate the remote input. If set to **OPEN** then both the pull up and pull down resistors will be taken out of circuit and the terminal voltage will be “floating”, this choice can be used when input devices are used which may supply their own voltage to the digital input terminal, maximum acceptable voltage is 24VDC.

## 5.67 Remote input (digital inputs) 4 input level

Section: **d. n**  
Display: **d. n.4 Lvl**  
Range: **H, 9h, Lo**  
Default Value: **Lo**  
Default Access Level **4**  
Function number **4A5b**

This function sets the input level required to activate the remote input. A setting of **Lo** means that a low voltage usually 0V or a short circuit to ground will activate the remote input. A setting of **H, 9h** means that a voltage of 5 to 24V is required to activate the remote input.

## 5.68 Serial output operation mode

Section: **SErI**  
Display: **OPER**  
Range: **None, Cont, Pol 1, R.buS, di SP or ā.buS**  
Default Value: **None**  
Default Access Level **4**  
Function number **4480**

Allows selection of the operating mode to be used for serial output communications. See the “LD5 Series

8 Channel Scanning Monitor Output Addendum” for more information and wiring details of optional isolated serial communications.

If using USB communications then **R.buS** must be chosen as the operating mode.

Choices are:

- **None** - no serial comms. required.
- **Cont** - sends ASCII form of display data at a rate typically 90% of the sample rate.
- **Pol I** - controlled by computer or PLC etc. as host. The host sends command via RS232/485 and instrument responds as requested.
- **R.buS** - this is a special communications mode used with Windows compatible PC download software. This mode must be used if communications via USB is used. Refer to the user manual supplied with this optional software.
- **di SP** - sends image data from the display without conversion to ASCII. This mode should only be used when the serial output is connected to another display from the same manufacturer.
- **ā.buS** output - Modbus RTU (RS232/RS485) or Modbus TCP if Ethernet is used. To poll for the display value via Modbus use address 0x1000 and 0x1001 hex (registers 44095 and 44096 decimal), Modbus function 3.

## 5.69 Serial baud rate

Section:	<b>SErI</b>
Display:	<b>bRud</b>
Range:	<b>1200, 2400, 4800, 9600, 19.2, 38.4, 57.6, 115.2</b>
Default Value:	<b>9600</b>
Default Access Level	<b>4</b>
Function number	<b>4484</b>

Allows the baud rate to be set for serial communications. Choices are:

**1200, 2400, 4800, 9600, 19.2, 38.4, 57.6, 115.2**

Baud rates above 9600 are in k Baud.

## 5.70 Serial parity

Section:	<b>SErI</b>
Display:	<b>Prty</b>
Range:	<b>8N, 8E, 8O, 7E, 7O</b>
Default Value:	<b>8N</b>
Default Access Level	<b>4</b>
Function number	<b>4482</b>

Allows selection of the parity check. The parity check selected should match that of the device it is being communicated with. The choices are 8 bit with no parity, even parity or odd parity or 7 bit with even or odd parity.



## 5.71 Serial address

**Section:** **SER1**  
**Display:** **Unit Addr**  
**Range:** **1 to 127**  
**Default Value:** **1**  
**Default Access Level:** **4**  
**Function number:** **0430**

Allows selection of the unit address when the operation is set for **POLL** mode. The unit address is offset by 32(DECIMAL) to avoid clashing with ACSII special characters, therefore 42 (DECIMAL) or 2A (HEX) would be unit address 10.

## 5.72 Easy access mode

**Section:** **ACCES**  
**Display:** **EASY LEVL**  
**Range:** **NONE, 1, 2, 3, 4, 5, 6, CAL**  
**Default Value:** **NONE**  
**Default Access Level:** **S.CAL**  
**Function number:** **0C00**

Allows choice of the access level available when using the easy access method. For example if this function is set to **3** then functions with levels 1, 2 and 3 can be viewed and changed when access to setup functions is made using this method. To access setup functions using the easy access method press and hold the **F** button until the message **FUNC** is seen followed by the first function message, this should take approximately 3 seconds. If the message **FUNC End** or no response is seen at this point it means that the access level has been set to **None** and that access to setup functions has been refused.

## 5.73 Remote input access mode

**Section:** **ACCES**  
**Display:** **REMOTE LEVL**  
**Range:** **NONE, 1, 2, 3, 4, 5, 6, CAL**  
**Default Value:** **NONE**  
**Default Access Level:** **S.CAL**  
**Function number:** **0C01**

This function allows choice of the access level available when using the remote input access method. To access setup functions using the remote input access method one of the remote inputs must be set to **ACCESS** and the chosen remote input must be shorted to ground. Press and hold the **F** button until the message **FUNC** is seen followed by the first function message, this should take approximately 3 seconds. If the message **FUNC End** is seen at this point it means that the access level has been set to **None**.

## 5.74 PIN code 1

**Section:** **ACCES**  
**Display:** **USF. 1 P. n**  
**Range:** **0 to 65535**  
**Default Value:** **0**  
**Default Access Level:** **S.CAL**  
**Function number:** **0C09**

This function allows choice of the PIN code to be used for PIN code input access method. Associated with the PIN is an access level (see **P. n. 1ACCESS**). If a PIN is not required leave the setting at **0**. If a

PIN other than 0 is chosen then this PIN must be entered to gain access to the the selected level.

To access setup functions using the PIN code input access method press then release the **F** button then within 2 seconds press the **▲** and **▼** buttons at the same time. The message **FUNC** is seen followed by the message **Code**. If the message **FUNC End** is seen at this point it means that the access level has been set to **None**. Use the **▲** and **▼** buttons to enter the PIN then press **F** to accept the PIN and proceed to the setup functions.

## 5.75 PIN code 1 access level

Section:	<b>ACCES</b>
Display:	<b>USF.1 LEUL</b>
Range:	<b>NONE, 1, 2, 3, 4, 5, 6, CAL</b>
Default Value:	<b>NONE</b>
Default Access Level	<b>S.CAL</b>
Function number	<b>0C02</b>

This function allows choice of the access level available when using the PIN code 1 input access method. To access setup functions using the PIN code 1 input access method press and hold the **F** button until the message **FUNC** is seen followed by the first function message, this should take approximately 3 seconds. If the message **FUNC End** is seen at this point it means that the access level has been set to **None**.

## 5.76 PIN code 2

Section:	<b>ACCES</b>
Display:	<b>USF.2 P, n</b>
Range:	<b>0 to 65535</b>
Default Value:	<b>0</b>
Default Access Level	<b>S.CAL</b>
Function number	<b>0C0A</b>

This function allows choice of a second PIN code to be used for PIN code input access method. Associated with the PIN is an access level (see **P, n.2 AccS**). The second PIN would normally be used to allow a second person to have a higher access to setup functions via a different PIN. If a second PIN is not required leave the setting at **0**. If a PIN other than 0 is chosen then this PIN must be entered to gain access to the the selected level.

To access setup functions using the PIN code input access method press then release the **F** button then within 2 seconds press the **▲** and **▼** buttons at the same time. The message **FUNC** is seen followed by the message **Code**. If the message **FUNC End** is seen at this point it means that the access level has been set to **None**. Use the **▲** and **▼** buttons to enter the PIN then press **F** to accept the PIN and proceed to the setup functions. Only one **Code** message will appear even though there can be a second PIN. If the number entered into the **Code** at this point is the PIN code 1 number then access will be granted to the functions allocated to the first PIN. If the PIN code 2 value is entered then access will be granted to the functions allocated to the second PIN.

## 5.77 PIN code 2 access level

Section: **ACCES**  
Display: **USF.2 LEVL**  
Range: **NONE, 1, 2, 3, 4, 5, 6, CAL**  
Default Value: **NONE**  
Default Access Level **S.CAL**  
Function number **0C03**

This function allows choice of the access level available when using the PIN code 2 input access method. To access setup functions using the PIN code 2 input access method press and hold the **F** button until the message **FUNC** is seen followed by the first function message, this should take approximately 3 seconds. If the message **FUNC End** is seen at this point it means that the access level has been set to **NONE**.

## 5.78 User assignable access 1 function number

Section: **ACCES**  
Display: **Fn.1 Code**  
Range: **0000 to FFFF hex.**  
Default Value: **0000**  
Default Access Level **S.CAL**  
Function number **0C10**

In addition to being assigned an access level each setup function is assigned an individual function number. This functions and the ones which follow (**Fn.2 Code** etc.) can be used to alter the access level for particular functions. For example if the user wishes to change the access level of the channel 1 display units (function number 43A0) from level 5 to level 1 then the value **43A0** would be entered at this function and the value **3** would be entered at the function which follows. This would then enable the channel 1 display unit functions to be accessed at the lowest access level.

## 5.79 User assignable access 1 level value

Section: **ACCES**  
Display: **Fn.1 LEVL**  
Range: **dFlt, 1, 2, 3, 4, 5, 6, CAL, S.CAL**  
Default Value: **dFlt**  
Default Access Level **S.CAL**  
Function number **0C40**

Allows a new access level for the function with the number set in the function to be chosen. If **dFlt** is chosen then the level reverts back to the original default level.

## 5.80 User assignable access 2 function number

Section: **ACCES**  
Display: **Fn.2 Code**  
Range: **0000 to FFFF hex.**  
Default Value: **0000**  
Default Access Level **S.CAL**  
Function number **0C11**

This function allows as second function access change and operates in the same manner as . Enter the function number required and then enter the new access level at the function which follows.

## 5.81 User assignable access 2 level value

Section: **ACCES**  
Display: **Fn.2 LEVL**  
Range: **dFl t, 1, 2, 3, 4, 5, 6, CAL, S.CAL**  
Default Value: **dFl t**  
Default Access Level **S.CAL**  
Function number **0C41**

Allows a new access level for the function with the number set in the function to be chosen. If **dFl t** is chosen then the level reverts back to the original default level.

## 5.82 User assignable access 3 function number

Section: **ACCES**  
Display: **Fn.3 Code**  
Range: **0000 to FFFF hex.**  
Default Value: **0000**  
Default Access Level **S.CAL**  
Function number **0C12**

This function allows as third function access change and operates in the same manner as . Enter the function number required and then enter the new access level at the function which follows.

## 5.83 User assignable access 3 level value

Section: **ACCES**  
Display: **Fn.3 LEVL**  
Range: **dFl t, 1, 2, 3, 4, 5, 6, CAL, S.CAL**  
Default Value: **dFl t**  
Default Access Level **S.CAL**  
Function number **0C42**

Allows a new access level for the function with the number set in the function to be chosen. If **dFl t** is chosen then the level reverts back to the original default level.

## 5.84 User assignable access 4 function number

Section: **ACCES**  
Display: **Fn.4 Code**  
Range: **0000 to FFFF hex.**  
Default Value: **0000**  
Default Access Level **S.CAL**  
Function number **0C13**

This function allows as fourth function access change and operates in the same manner as . Enter the function number required and then enter the new access level at the function which follows.

## 5.85 User assignable access 4 level value

Section: **ACCES**  
Display: **Fn.4 LEVL**  
Range: **df1 t, 1, 2, 3, 4, 5, 6, CAL, S.CAL**  
Default Value: **df1 t**  
Default Access Level **S.CAL**  
Function number **0C43**

Allows a new access level for the function with the number set in the function to be chosen. If **df1 t** is chosen then the level reverts back to the original default level.

## 5.86 User assignable access 5 function number

Section: **ACCES**  
Display: **Fn.5 Code**  
Range: **0000 to FFFF hex.**  
Default Value: **0000**  
Default Access Level **S.CAL**  
Function number **0C14**

This function allows as third function access change and operates in the same manner as . Enter the function number required and then enter the new access level at the function which follows.

## 5.87 User assignable access 5 level value

Section: **ACCES**  
Display: **Fn.5 LEVL**  
Range: **df1 t, 1, 2, 3, 4, 5, 6, CAL, S.CAL**  
Default Value: **df1 t**  
Default Access Level **S.CAL**  
Function number **0C44**

Allows a new access level for the function with the number set in the function to be chosen. If **df1 t** is chosen then the level reverts back to the original default level.

## 5.88 User assignable access 6 function number

Section: **ACCES**  
Display: **Fn.6 Code**  
Range: **0000 to FFFF hex.**  
Default Value: **0000**  
Default Access Level **S.CAL**  
Function number **0C15**

This function allows as third function access change and operates in the same manner as . Enter the function number required and then enter the new access level at the function which follows.

## 5.89 User assignable access 6 level value

Section: **ACCES**  
Display: **Fn.6 LEVL**  
Range: **dFl t, 1, 2, 3, 4, 5, 6, CAL, S.CAL**  
Default Value: **dFl t**  
Default Access Level **S.CAL**  
Function number **0C45**

Allows a new access level for the function with the number set in the function to be chosen. If **dFl t** is chosen then the level reverts back to the original default level.

## 5.90 User assignable access 7 function number

Section: **ACCES**  
Display: **Fn.7 Code**  
Range: **0000 to FFFF hex.**  
Default Value: **0000**  
Default Access Level **S.CAL**  
Function number **0C16**

This function allows as third function access change and operates in the same manner as . Enter the function number required and then enter the new access level at the function which follows.

## 5.91 User assignable access 7 level value

Section: **ACCES**  
Display: **Fn.7 LEVL**  
Range: **dFl t, 1, 2, 3, 4, 5, 6, CAL, S.CAL**  
Default Value: **dFl t**  
Default Access Level **S.CAL**  
Function number **0C46**

Allows a new access level for the function with the number set in the function to be chosen. If **dFl t** is chosen then the level reverts back to the original default level.

## 5.92 User assignable access 8 function number

Section: **ACCES**  
Display: **Fn.8 Code**  
Range: **0000 to FFFF hex.**  
Default Value: **0000**  
Default Access Level **S.CAL**  
Function number **0C17**

This function allows as fourth function access change and operates in the same manner as . Enter the function number required and then enter the new access level at the function which follows.

### 5.93 User assignable access 8 level value

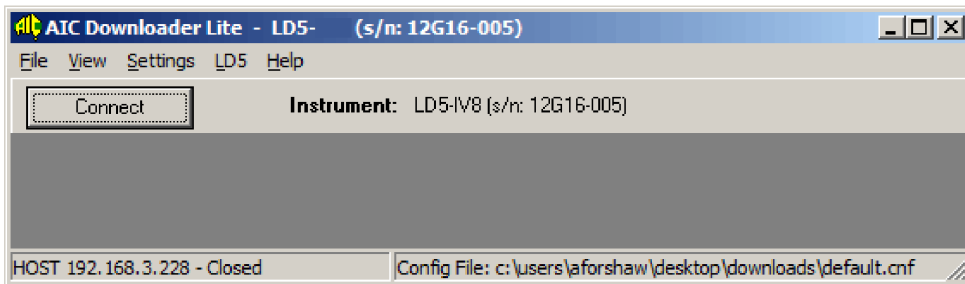
Section: **ACCES**  
Display: **F.A.B LEVL**  
Range: **dFILE, 1, 2, 3, 4, 5, 6, CAL, S.CAL**  
Default Value: **dFILE**  
Default Access Level **S.CAL**  
Function number **0C47**

Allows a new access level for the function with the number set in the function to be chosen. If **dFILE** is chosen then the level reverts back to the original default level.

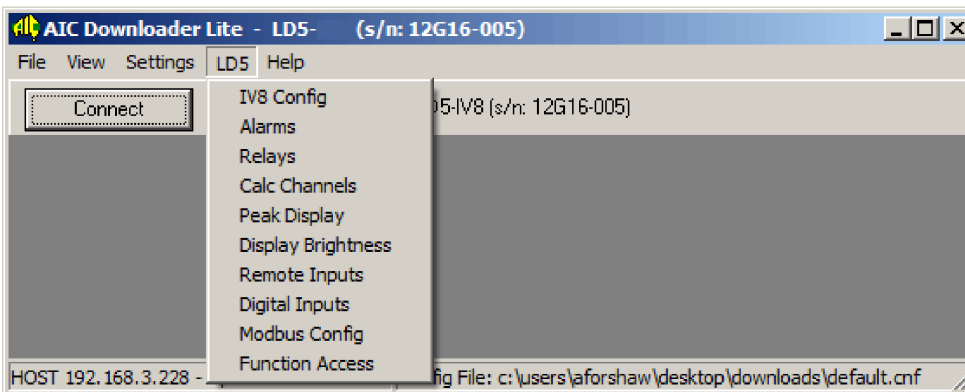
## 6 PC/Laptop software

A free software is available which will allow some operations including calibration and some configuration to be undertaken via PC or laptop. Contact the supplier of this instrument for software downloading instructions. The software is designed to be used intuitively but this chapter gives a basic guide.

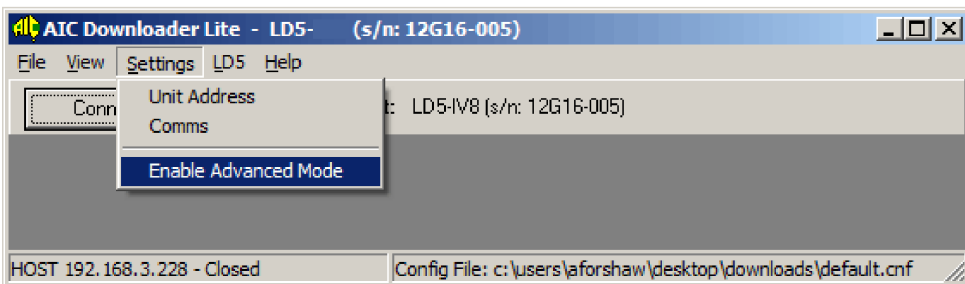
Once the software has been downloaded and run a main menu page as illustrated below will appear. With your LD5 connected via one of its standard or optional communication ports click on **Settings** then **Comms** to bring up the communications options menu and set as required. Alteration of configuration and calibration require the entry of a password, go to **Tools** then **Enter Password** to enter the password. The default password is **Password** but this can be changed at the window accessed via **View** then **Password Configuration**. A separate user guide will be provided if the optional full version of this software has been obtained.



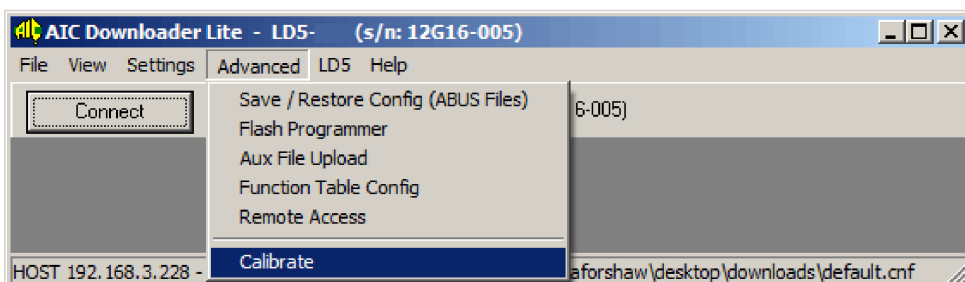
Software main menu



Some LD5 configuration options



To enable advanced operations such as Calibration hold "Ctrl" then click on **Settings** then click on **Enable Advanced Mode**



Some of the advanced operation options



# 7 Specifications

## 7.1 Technical specifications

Input types:	Up to 8 thermocouple inputs type B,E,J,K,N,R,S or T individually selectable for each channel
Accuracy:	Better than 1°C when calibrated
Measuring range:	B 400 to 1866°C, E -100 to 1000°C, J -100 to 870°C, K -100 to 1372°C N -100 to 1300°C, R -35 to 1768°C, S -35 to 1768°C, T -100 to 400°C
Sample rate:	Selectable 1, 2, 4 or 8 seconds per channel
Display scan rate:	Selectable 0 (no automatic scan) to 200 secs. per channel
Thermal stability:	25ppm per °C
Ambient temperature:	LED -10 to 60° C
Humidity:	5 to 95% non condensing
Power supply:	100 and 200mm LED: AC 240 or 110V selectable, 50/60Hz or AC 48/42/32/24 selectable, 50/60Hz or DC isolated wide range 12 to 24V. 20mm, 38mm, 45mm, 57 or 58mm LED: AC 240/110V 50/60Hz or AC 24 to 48V 50/60Hz or DC 12 to 48V isolated or DC 24V non isolated Supply type is factory configured
Output (standard):	4 x relays, 1 x Form C, 3 x Form A rated 5A resistive. Programmable N.O. or N.C. Relays 1 and 2 can alternatively be set for PI control (frequency or pulse width)
Output (standard):	RS485 non isolated serial comms. Note this port is disabled if optional RS232 or RS485 communications are fitted

### Optional outputs - some options below are available in combination

Extra relays:	4 extra relays, form A
Analog retransmission:	Single 4 to 20mA 12 bit or 16 bit versions Single 4-20mA, 0-1VDC or 0-10VDC (user selectable), 16 bit (4-20mA will drive into resistive loads of up to 800Ω) Analog outputs can be configured for retransmission or PI control
Serial communications:	RS485 isolated 8 bit (ASCII or Modbus RTU functions 1 and 3) RS232 serial comms. 8 bit (ASCII or Modbus RTU functions 1 and 3) Ethernet (includes 8MB data logger memory), can be used with Modbus TCP Web page optional with Ethernet option USB port, type B

## 7.2 Physical characteristics

Refer to “Mechanical installation”, chapter 2 page 8 for size and weight specifications.

## 8 Guarantee and service

The product supplied with this manual is guaranteed against faulty workmanship for a period of 2 years from the date of dispatch.

Our obligation assumed under this guarantee is limited to the replacement of parts which, by our examination, are proved to be defective and have not been misused, carelessly handled, defaced or damaged due to incorrect installation. This guarantee is VOID where the unit has been opened, tampered with or if repairs have been made or attempted by anyone except an au authorised representative of the manufacturing company.

Products for attention under guarantee (unless otherwise agreed) must be returned to the manufacturer freight paid and, if accepted for free repair, will be returned to the customers address in Australia free of charge.

When returning the product for service or repair a full description of the fault and the mode of operation used when the product failed must be given. In any event the manufacturer has no other obligation or liability beyond replacement or repair of this product.

Modifications may be made to any existing or future models of the unit as it may deem necessary without incurring any obligation to incorporate such modifications in units previously sold or to which this guarantee may relate.

This document is the property of the instrument manufacturer and may not be reproduced in whole or part without the written consent of the manufacturer.

This product is designed and manufactured in Australia.