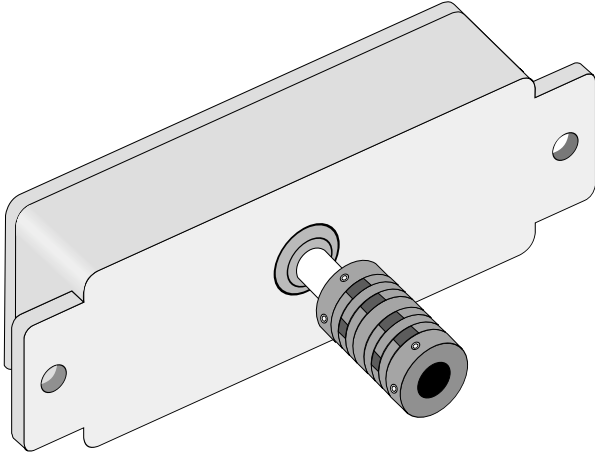


Angle / Position Transducer

Provides 3 wire potentiometric output
(mechanical position feedback device)



Features

- Versatile IP65 rated enclosure
- 6mm diameter coupling included
- Internal screw terminal connector
- Manufactured in Australia
- 2 year guarantee

Applications include:

- Damper position
- Valve position
- Rotational angle
- Rotary control feedback
- Weigh batching gate position
- Coarse and fine materials handling control

SPECIFICATIONS:

Single turn - conductive plastic

Resistance tolerance:	±15%
Linearity:	±2%
Electrical rotation:	340° ±3%
Mechanical rotation:	360° continuous
Rotational life:	10,000,000 cycles
Operating temperature:	0 to 60°C

Order Code

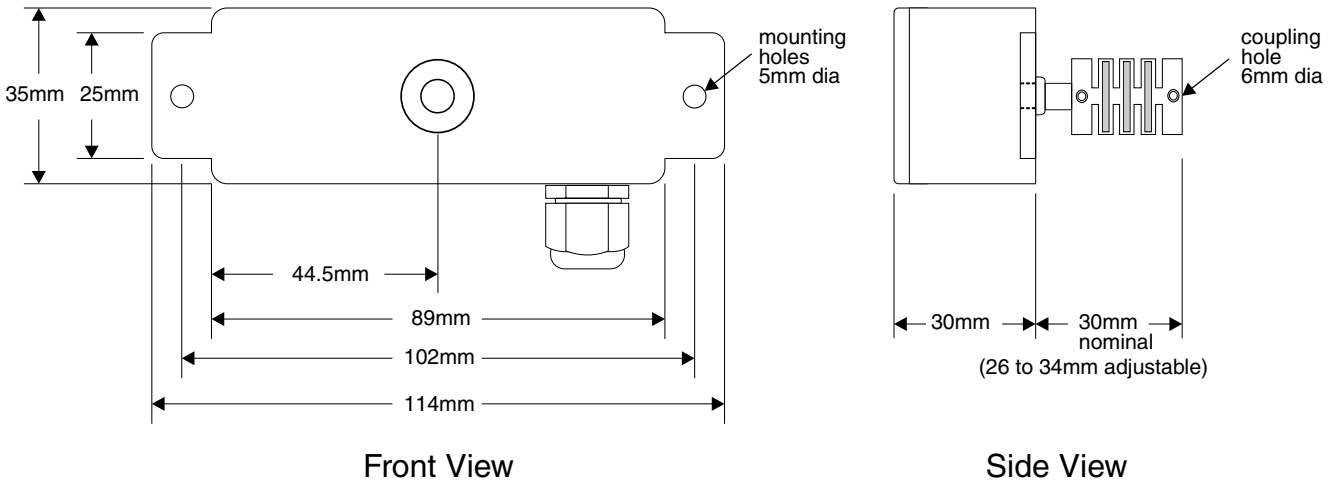
1KΩ model: TX-ANGLE-01K-01

The TX-ANGLE rotary transducers are manufactured by Amalgamated Instrument Co. This single turn model covers an angular range of 320° and is available with an end to end resistance of 1KΩ, and features excellent linearity and virtually infinite resolution. The stopless rotation feature prevents damage during installation due to incorrect alignment.

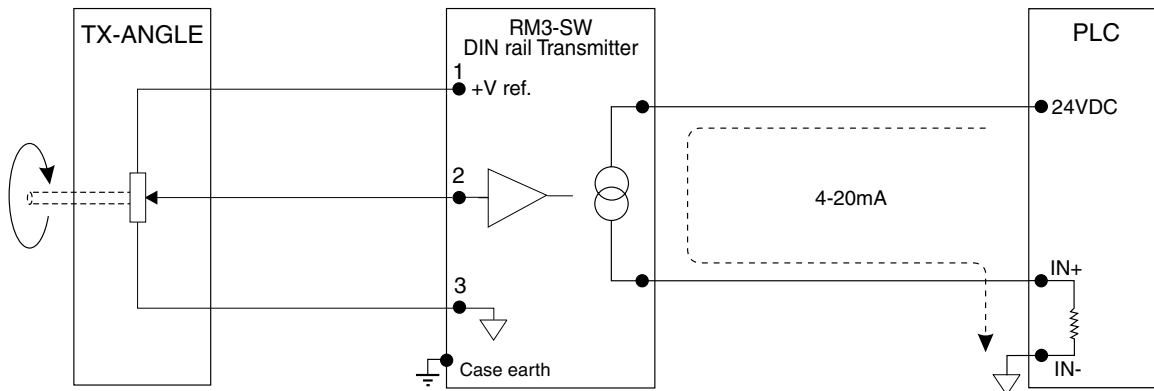
Potentiometer transducers are easy to interface to and, unlike optical encoders, have an inherent memory. AIC manufacture panel mount displays/transmitters and DIN rail mount converters for signal conversion, control and indication.

The integral mounting flanges and compact construction simplify installation allowing the transducer to be used for a wide variety of applications. A 6mm diameter flexible coupling is supplied with each transducer to compensate for slight angular misalignment.

Mechanical Details



Application note: Interfacing to PLC using RM3-SW loop powered slidewire transmitter



Application note: Interfacing to PM4-IV panel meter with setpoint relay(s) optional retransmission. A DIN rail mount version is also available, model RM4-IV

