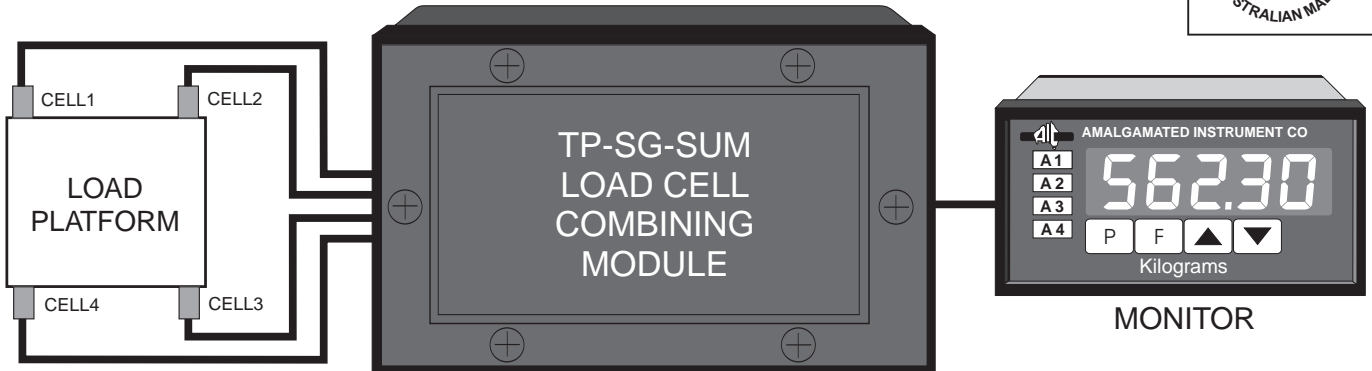


# Load Cell Combiner Module Model TP-SG-SUM

Combines and Balances Up To 4 Load Cell Inputs



## Description

The load cell combiner module is designed to equalise the mV/V output of two, three or four load cells allowing them to be balanced and combined at the output. This allows the use of load cells whose mV/V outputs are not perfectly matched to be used together without loss of measurement accuracy. The combiner board contains four input connectors and one output connector. Each connector is of the plug in, screw terminal type which will accept up to 2.5mm diameter cable.

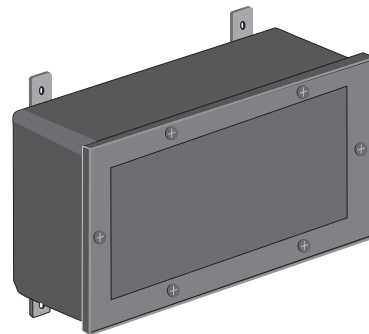
Bypass and isolation switches plus variable resistors are provided for each channel to allow setup and adjustment of the individual output for each load cell. The module can be setup in a "live" situation, using either the load cell monitor or a voltmeter to obtain the required test readings. Alternatively calculation of the required compensation resistance for each load cell can be made and the variable resistors set to these values. Test points are provided to allow convenient measurement of input and output signals, variable resistance values and excitation voltage.

Setup is achieved by adjusting the output of each cell, via the variable resistors, to match the output of the cell with the lowest mV/V output. The result is a balanced output which is suitable for input to any conventional load cell monitor.

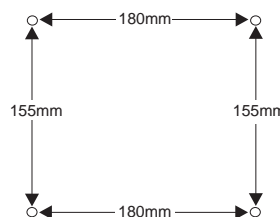
The module is compatible with the panel mount PM4-SG and PM4-WT, the DIN rail mount RM4-SG and RM4-WT, the large digit displays LD4-SG & LD4-WT and the weatherproof, wall mount TP4-WT and TP4-WT4 ranges of AIC load cell monitors.

## Features

- Allows unmatched load cells to be used together without loss of accuracy
- Bypass and isolation switches on each input allow for easy setup and adjustment
- A choice of setup methods are available to suit the application
- Accepts 2, 3 or 4 inputs
- Compatible with any conventional load cell monitor
- Wallmount/Weatherproof construction
- Rugged IP65 enclosure



Dimensions:  
253mm (w)  
145mm (h)  
85mm (d)



Mounting hole locations  
180mm x 155mm

ORDER CODE: TP-SG-SUM

TPSGSUMM-1.2-0

## AMALGAMATED INSTRUMENT CO PTY LTD

ACN: 001 589 439

Unit 5, 28 Leighton Place Hornsby  
NSW 2077 AUSTRALIA

Telephone: +61 2 9476 2244  
Facsimile: +61 2 9476 2902

e-mail: sales@aicpl.com.au  
Internet: www.aicpl.com.au