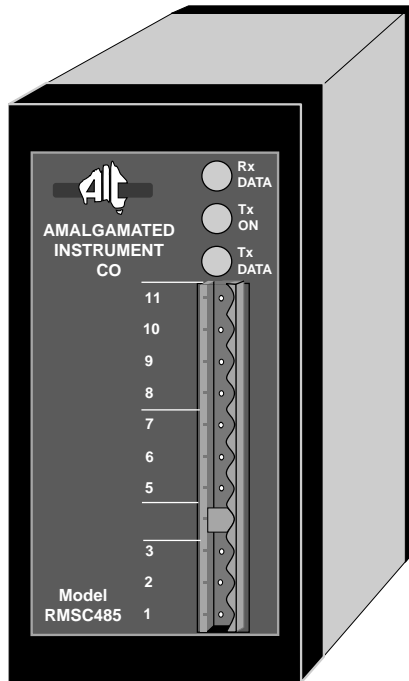
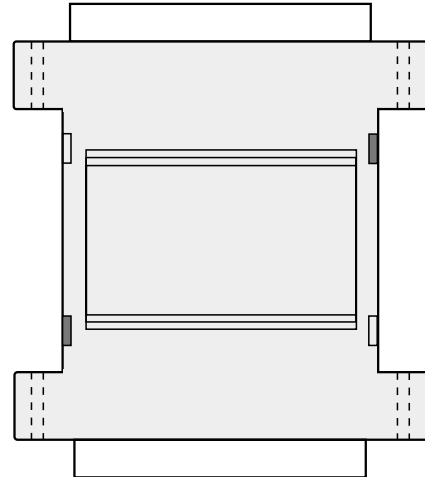


RS232 to RS485 Converters

Model RMSC485



Model PC485



Description

The RMSC RS232 to RS485 converter is supplied in a standard DIN rail mount package (35mm rail EN50022).

Electrical connection is via plug in screw terminals, maximum 2.5mm² wire. 240VAC, 110VAC, 24VAC or wide range 12-48VDC supply models are available. Input and output grounds are common but are isolated from power supply ground.

Baud rates accepted are from 300 to 38400 baud. The converter automatically detects the baud rate being used.

Dimensions

91mm (h) x 44mm (w) x 120mm (d) including front connector and DIN rail clips

Order Code:

RMSC485-240 - 240VAC

RMSC485-110 - 110VAC

RMSC485-24 - 24VAC

RMSC485-DC - 12-48VDC

Also available as a fully isolated RS232 to RS485 converter, model RMSI485, see separate brochure for details.

Description

The PC485 RS232 to RS485 converter is supplied as a through connector, self contained package.

Power for the unit is obtained from an IBM PC, or compatible, RS232 port via pins 7 (GND) & 20 (+12V via DTR line). Alternatively the PC485 may be externally powered (9 to 12VDC), see wiring diagram overleaf. The use of an external power source is generally only required when a low power serial card is used in the computer and multiple external units are being addressed or when the serial output does not provide power.

Baud rates accepted are from 300 to 38400 baud. The converter automatically detects the baud rate being used.

Connection at the RS232 end is via a 25 way female "D" connector. At the RS485 end the connector is a 25 way male "D" connector.

Dimensions

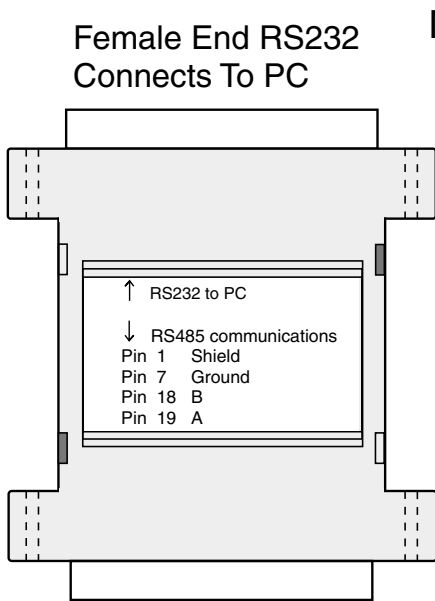
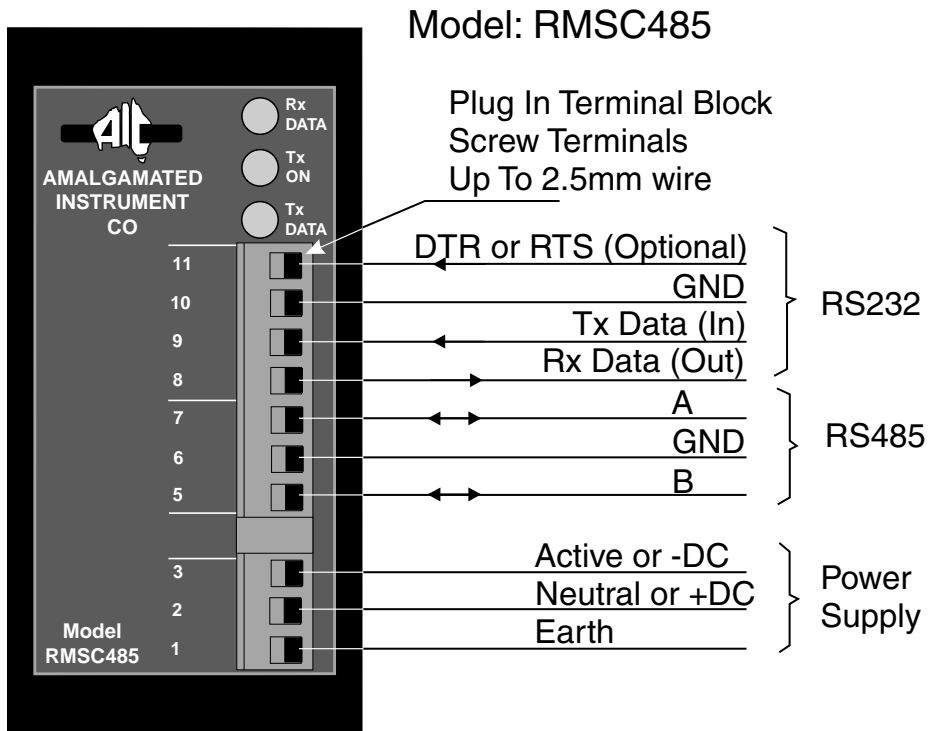
63mm (h) x 56mm (w) x 16mm (d)

Order Code PC485

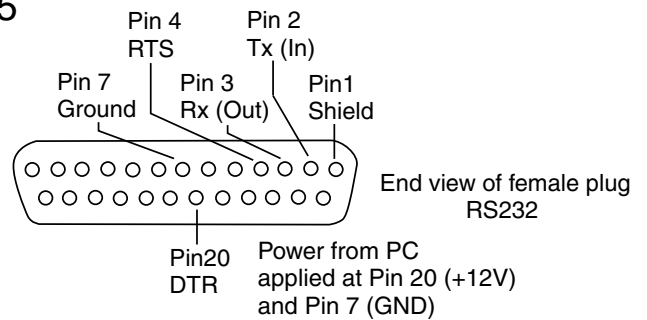
Also available as a RS232 to RS485/RS422 converter, model PC422, see separate brochure for details.

Note: if two units are to be used together for two way communications interfacing between two RS232 devices then use models PC422 or RMSI422 to avoid complex data flow control requirements.

Electrical Connections For PC485 and RMSC485

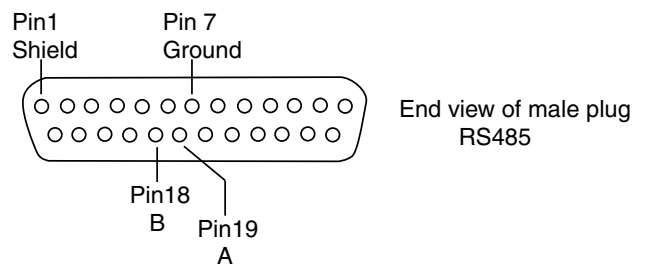


Model: PC485

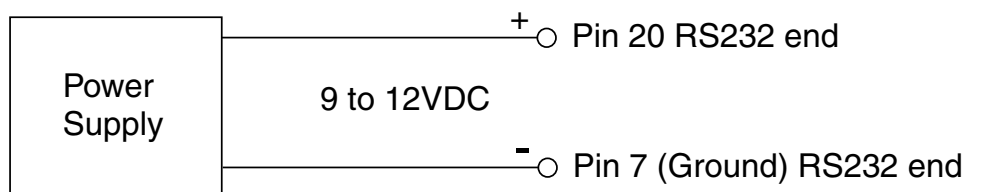


Male End RS485

- Pin 1 Shield
- Pin 7 Ground
- Pin 18 B
- Pin 19 A



Connections for externally powered PC485



Note: Power supply must be regulated
maximum voltage permitted is 12VDC