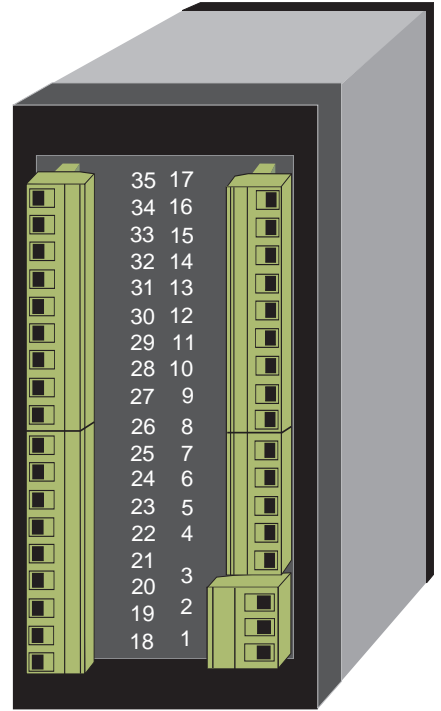
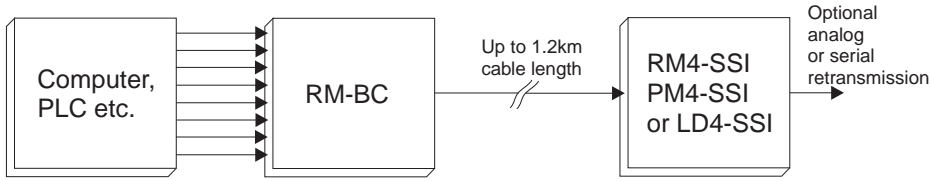


# RM4-BC DIN Rail Process Unit

## BCD to SSI converter



### Description

The DIN rail mounted RM4-BC converter is designed to be used with model PM4-SSI, RM4-SSI or LD4-SSI display units. The instrument will accept BCD input and will transmit the input as an SSI (synchronous serial interface) signal. The input type is selected at the display unit. The original BCD signal can be converted to an analog or RS232, RS485 (or in some cases RS422) comms. via optional outputs on the display unit. SSI connections require a twin twisted pair screened cable. Long transmission distances (up to 1.2km) are possible when connecting to an SSI display. The converter provides considerable saving in cable costs when long cable runs are required.

8 bit or 24 bit multiparallel/strobed or addressed BCD models are available. BCD, strobe and address input signal may be of the voltage free type or signal voltages up to 48VDC.

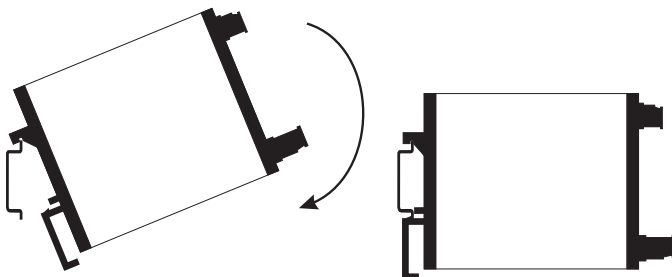
### Features

- BCD input
- 8 and 24 bit models
- Isolated 240V, 110V, 24V AC, 12 to 48V DC or non isolated 12 to 24V DC operation (factory configured)
- Rugged aluminium DIN rail mount housing
- 2 year guarantee

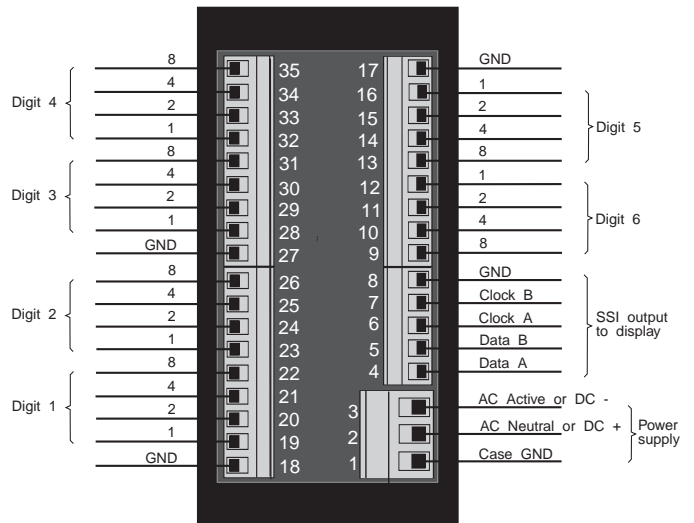
### Physical Characteristics

- Case size: 44mm x 91mm x 141mm
  - Connections: Plug in screw terminals. Max 2.5mm<sup>2</sup> wire (power supply), 1.5mm<sup>2</sup> wire for input and output
  - Weight: 370 gms (8 bit) 420 gms (24 bit)
- Specifications are subject to change without notice

### Installation method



### Electrical wiring example - 24 bit multiparallel BCD



### ORDER CODE

<b>RM4-BC-</b>	<input type="checkbox"/>	<input type="checkbox"/>	-	<input type="checkbox"/>	<input type="checkbox"/>				
<b>POWER SUPPLY</b>									
<b>RM4-BC-</b>	<input type="checkbox"/>	<input type="checkbox"/>	-	<input type="checkbox"/>	<input type="checkbox"/>				
240 VAC	.....					<input type="checkbox"/>	<input type="checkbox"/>	<input type="checkbox"/>	<input type="checkbox"/>
110 VAC	.....					<input type="checkbox"/>	<input type="checkbox"/>	<input type="checkbox"/>	<input type="checkbox"/>
24 VAC	.....					<input type="checkbox"/>	<input type="checkbox"/>	<input type="checkbox"/>	<input type="checkbox"/>
12 to 48 VDC isolated	.....					<input type="checkbox"/>	<input type="checkbox"/>	<input type="checkbox"/>	<input type="checkbox"/>
12 to 24 VDC non isolated	.....					<input type="checkbox"/>	<input type="checkbox"/>	<input type="checkbox"/>	<input type="checkbox"/>
<b>INPUT TYPE</b>									
<b>RM4-BC-</b>	<input type="checkbox"/>	<input type="checkbox"/>	-	<input type="checkbox"/>	<input type="checkbox"/>				
8 BIT INPUT	.....					<input type="checkbox"/>	<input type="checkbox"/>	<input type="checkbox"/>	<input type="checkbox"/>
24 BIT INPUT	.....					<input type="checkbox"/>	<input type="checkbox"/>	<input type="checkbox"/>	<input type="checkbox"/>

RM4BC-2.2-0

# AMALGAMATED INSTRUMENT CO PTY LTD

ACN: 001 589 439

Unit 5, 28 Leighton Place Hornsby  
NSW 2077 AUSTRALIA

Telephone: +61 2 9476 2244  
Facsimile: +61 2 9476 2902

e-mail: sales@aicpl.com.au  
Internet: www.aicpl.com.au