

The Intelligent PM6-TR

Rate/Total panel indicator

Features

- Accepts pulse input from various sensor types
- 4 digit high brightness LED display
- Large 20mm high digits - Viewing distance up to 10m
- Programmable/switchable display brightness, helps to reduce glare in low light environments
Ideal for automotive or marine "in cab" applications
- Visual indication of high or low setpoint
- display can be set to flash value or **-or-**
- Easily scaled to read in engineering units e.g. Litres/sec., klitres, etc.
- Can be scaled without the need for test equipment or special tools
- Pushbutton setup of scaling & functions
- Calibration and set up data stored in EEPROM
- Programmable decimal point
- Programmable digital filter, improves stability
- Choice of power supplies - 240 VAC, 110VAC, 24VAC or isolated 12 to 48V DC (factory configured)
- DIN size 96mm x 48mm bezel
- Microprocessor based design
- Computer tested and pre-calibrated
- Rugged aluminium enclosure
- 2 year guarantee
- Remote input to perform special functions e.g. total reset, maximum, minimum, zero, peak hold, display hold or display brightness



Description

The PM6 panel mount display features easy to use set up programming functions. Changes to the settings are made using three pushbuttons located at the rear of the instrument.

The PM6-TR accepts a pulse input from various sensor types and may be scaled to read rate & total directly in your engineering units.

The large high brightness 20mm red LED display provides excellent visibility, even in brightly lit areas. A special feature of the PM6 is the programmable display brightness, which allows the display intensity to be reduced to conserve power or to reduce glare in darker areas. The display brightness can also be switched to the preset level by a remote input. This enhances the flexibility of the indicator in differing ambient light conditions

Functions are included to allow the display to provide visual warning for under or over rate/frequency or total. The display can be configured to flash either the display value on and off or the **-or-** error message.

The PM6 is packaged in a rugged industrial 1/8 DIN panel mount enclosure, with a behind panel depth of only 120mm.



PM6TR-1.4-0

AMALGAMATED INSTRUMENT CO PTY LTD

ACN: 001 589 439

Unit 5, 28 Leighton Place Hornsby
NSW 2077 Australia

Telephone: +61 2 9476 2244
Facsimile: +61 2 9476 2902

e-mail: sales@aicpl.com.au
Internet: www.aicpl.com.au

Technical Specifications

Input	Pulse input from various sensor types (user selectable)
Totaliser functions:	Scaleable up counter totaliser
Ratemeter functions:	Scaleable rate display
Accuracy:	0.01% for rate display
Maximum count rate:	10kHz
Impedance:	10kΩ
Ambient temp:	-10°C to 50°C
Humidity:	5 to 95% non condensing
Display:	4 digit 20mm LED
Transmitter Supply	AC models only: Unregulated 24VDC, maximum 50mA. or 5VDC unregulated, maximum 20mA.
Power supply:	AC 240V, 110V or 24V or DC isolated 12 to 48VDC Note: Factory configured
Power consumption:	AC supply 4VA + transmitter current DC supply typically 30mA at 24VDC + transmitter current or 60mA at 12VDC + transmitter current

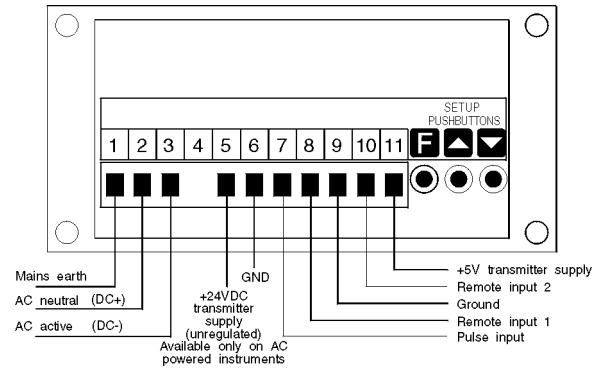
Physical Characteristics

Bezel size:	DIN 48mm x 96mm x 9mm
Case size:	44mm x 91mm x 120mm behind face of panel
Panel cut out:	45mm x 92mm (+1mm & - 0mm)
Connections:	Plug in screw terminals (max 2.5mm ² wire)
Weight:	400g (AC supply model) or 300g (DC supply model) unpacked

Order Code:

PM6-TR-240-4E	240VAC supply
PM6-TR-110-4E	110VAC supply
PM6-TR-24-4E	24VAC supply
PM6-TR-DC-4E	12-48VDC supply

PM6-TR electrical connections



PM6-TR panel mounting details

