

# The Intelligent PM6-RT Temperature Indicator

## Features

- Input from 2 or 3 wire Pt100 or Pt1000 RTD temperature sensor
- 4 digit high brightness LED display
- Large 20mm high digits - Viewing distance up to 10m
- Programmable/switchable display brightness, helps to reduce glare in low light environments  
Ideal for automotive or marine "in cab" applications
- Visual indication of high or low setpoint  
- display can be set to flash value
- Temperature units can be displayed (**°C**, **°F** or **°F5**)
- Can be scaled without the need for test equipment or special tools
- Pushbutton setup of scaling & functions
- Calibration and set up data stored in EEPROM
- Programmable decimal point
- Programmable digital filter, improves stability
- Leading zero blanking
- Choice of power supplies - 240 VAC, 110VAC, 24VAC or isolated 12 to 48V DC (factory configured)
- DIN size 96mm x 48mm bezel
- Microprocessor based design
- Computer tested and pre-calibrated
- Rugged aluminium enclosure
- 2 year guarantee
- Remote input to perform special functions e.g. maximum, minimum, peak hold, display hold or display brightness



## Description

The PM6 panel mount display features easy to use set up programming functions. Changes to the settings are made using three pushbuttons located at the rear of the instrument.

The PM6-RT accepts an input from a 2-wire or 3-wire Pt100 or Pt1000 RTD temperature sensor.

The large high brightness 20mm red LED display provides excellent visibility, even in brightly lit areas. A special feature of the PM6-RT is the programmable display brightness, which allows the display intensity to be reduced to conserve power or to reduce glare in darker areas. The display brightness can also be switched to the preset level by a remote input. This enhances the flexibility of the indicator in differing ambient light conditions

A very useful feature of the PM6-RT is the ability to set a visual alarm for a high temperature, a low temperature or both. Once the "alarm" values are reached, the display will flash to highlight the situation. The display can be set to either flash the temperature or to flash the "overrange" indication ( **-o-** )

The PM6 is packaged in a rugged industrial 1/8 DIN panel mount enclosure, with a behind panel depth of only 115mm.



PM6RT-1.3-0

---

**AMALGAMATED INSTRUMENT CO PTY LTD**

ACN: 001 589 439

Unit 5, 28 Leighton Place Hornsby  
NSW 2077 Australia

Telephone: +61 2 9476 2244  
Facsimile: +61 2 9476 2902

e-mail: sales@aicpl.com.au  
Internet: www.aicpl.com.au

## Technical Specifications

Input	Pt100 or Pt1000 RTD temperature sensor (2-wire or 3-wire) (user selectable)
ADC resolution:	15 bit plus sign
Decimal points:	0, 1, 2 or 3 decimal point places (selectable)
Accuracy:	0.1% of full scale when calibrated $\pm 50\text{ppm}/^{\circ}\text{C} \pm 1$ digit
Sample rate:	2 samples per second
Display update:	2 times per second
Ambient temp:	$-10^{\circ}\text{C}$ to $50^{\circ}\text{C}$
Humidity:	5 to 95% non condensing
Display:	4 digit 20mm LED
Power supply:	AC 240V, 110V or 24V or DC isolated 12 to 48VDC Note: Factory configured
Power usage:	AC supply 2VA DC supply typically 35mA at 24VDC or 70mA at 12VDC

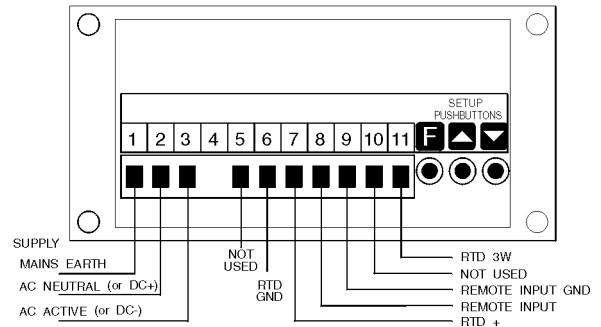
## Physical Characteristics

Bezel size:	DIN 48mm x 96mm x 9mm
Case size:	44mm x 91mm x 115mm behind face of panel
Panel cut out:	45mm x 92mm (+1mm & - 0mm)
Connections:	Plug in screw terminals (max $2.5\text{mm}^2$ wire)
Weight:	400g (AC supply model) or 300g (DC supply model) unpacked

### Order Code:

PM6-RT-240-4E	240VAC supply
PM6-RT-110-4E	110VAC supply
PM6-RT-24-4E	24VAC supply
PM6-RT-DC-4E	12-48VDC supply

## PM6-RT electrical connections



## PM6-RT panel mounting details

