

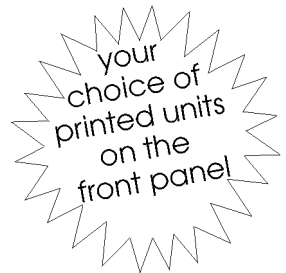
# Panel Mount Indicators

## New generation space saving design

### PM6-LP-6C 6 digit loop powered indicator

#### Ideal for:

Process display.  
Rate & total from flow transducers with 4-20mA output.  
Totalising from a 4-20mA signal.



#### Features

- Pushbutton calibration means fully user configurable to scale/calibrate, select decimal point, digital filter and resolution
- Rate and Totaliser functions
- Battery backup
- 4-20mA or 10-50mA (user selectable)
- Scaling without test equipment
- Square root function standard
- High contrast LCD display
- 6 digit display with high readability
- 2 remote inputs to perform special functions e.g. toggle between rate & total, maximum, minimum, peak hold, display hold, tare or total reset
- Programmable digital filter improves display stability by smoothing out short term noise
- Rugged construction
- Computer tested
- 2 year guarantee
- 66mm depth behind bezel to minimise panel depth.

#### Description

The second generation PM6-LP-6C microprocessor based 2-wire loop powered display has been designed to be accommodated in shallow panel installations. The PM6-LP-6C is a 6 digit display with rate and total functions. All function settings and calibration is achieved by user programmable pushbuttons (pushbutton functions include decimal point, digital filter, resolution, square root extractor etc.). The display is fully scalable to read in engineering units. The display may be set to default to either rate or total and can be toggled to the alternate display via an external input. The PM6 is supplied factory calibrated and computer tested. Since the instrument utilises pushbutton setup it can be scaled and configured without test equipment or the need to dismantle to select components. The instrument is powered from the loop and will accept 4-20mA or 10-50mA current loops (user configurable).

Electrical connections are made via plug in terminal blocks. A terminal with no internal connections is provided, as a convenient connector for the loop cable. The programmable digital filter improves stability by smoothing out short term interference. 2 external inputs are configurable to perform one of various functions e.g. maximum value, minimum value, peak hold, display hold, toggle between rate/total, total reset or tare. The PM6-LP-6C is housed in a rugged DIN panel mount enclosure with a bezel size of 48 x 96mm and requires a depth behind the bezel of only 66mm (with a small allowance for cabling).



Order Code: PM6-LP-6C

PM6LP6C-2.2-0

**AMALGAMATED INSTRUMENT CO PTY LTD**

ACN: 001 589 439

Unit 5, 28 Leighton Place Hornsby  
NSW 2077 Australia

Telephone: +61 2 9476 2244  
Facsimile: +61 2 9476 2902

e-mail: sales@aicpl.com.au  
Internet: www.aicpl.com.au

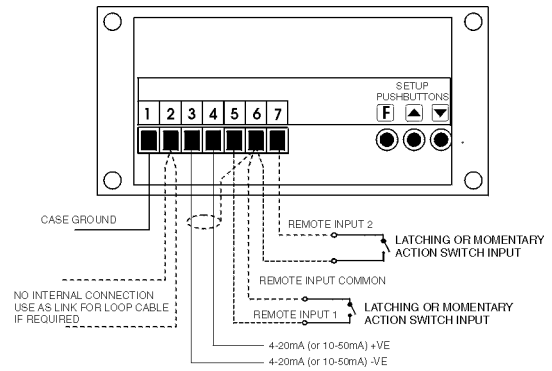
## Technical Specifications

Input	4-20mA or 10-50mA (user selectable)
Current range	Measurable 3.6mA to 22mA (4-20mA input) Measurable 9.0mA to 55mA (10-50mA input)
Input protection	150mA either direction
Voltage Drop	2V at 4mA, 2.3V at 20mA nominal
Decimal points:	0 to 5 decimal point places (selectable)
Calibration range:	Anywhere within the instrument display range
ADC resolution	15 bit
Accuracy:	0.025% of full scale, when calibrated $\pm 50\text{ppm}/^{\circ}\text{C} \pm 1\text{digit}$
Sample rate:	2.5 updates per second
Display update:	2.5 times per second
Battery backup:	Up to 800 days totaliser memory without power (display on) Up to 6000 days totaliser memory with- out power (display off)
Ambient temp:	$-10^{\circ}\text{C}$ to $50^{\circ}\text{C}$
Humidity:	5 to 95% non condensing
Display:	6 digit 12.7mm liquid crystal display
Power supply:	Powered by the 4-20mA or 10-50mA loop

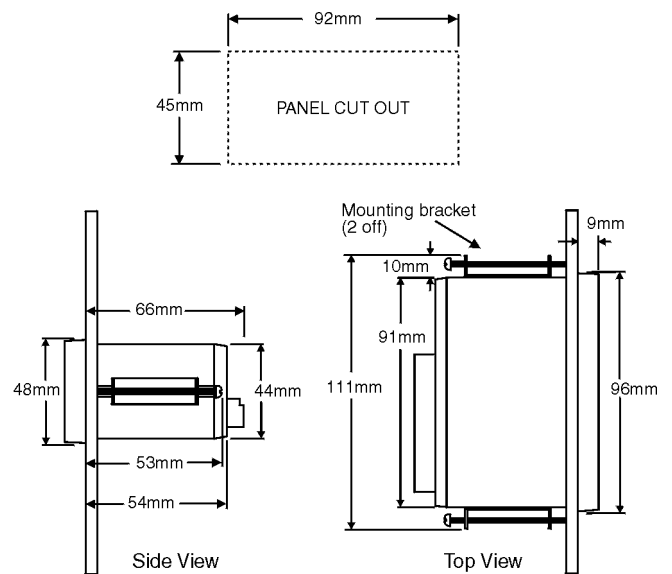
### Physical Characteristics

Bezel size:	DIN 48mm x 95mm x 9mm
Case size:	44mm x 91mm x 66mm behind face of panel
Panel cut out:	45mm x 92mm (+1mm & - 0mm)
Connections:	Plug in screw terminals (max 1.5mm wire)
Weight:	185g unpacked

## PM6-LP electrical connections



## PM6-LP panel mounting details



A model with 4 digits is also available

Model: PM6-LP-4C

Ask for brochure for the PM6-LP-4C or download  
[pm6lp4c.pdf \(http://www.aicpl.com.au/brochures/pm6lp.pdf\)](http://www.aicpl.com.au/brochures/pm6lp.pdf)



PM6LP6C-2.2-0