

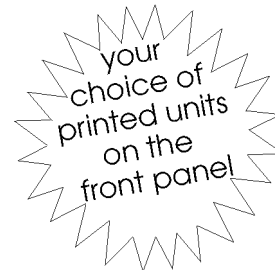
Panel Mount Indicators

New space saving design

PM6-LP-4C 4 digit

2-wire loop powered indicator

Scalable indication of 4-20mA or 10-50mA loop



Features

- Pushbutton configurable to scale/calibrate, select decimal point, digital filter and resolution
- 4-20mA or 10-50mA (user selectable)
- 4 digit display for high accuracy and readability
- Scaling without test equipment or special tools
- Square root function standard
- High contrast LCD display
- Remote input to perform special functions e.g. maximum, minimum, peak hold, display hold or tare
- Programmable digital filter improves display stability by smoothing out short term noise
- Rugged construction
- Computer tested
- 2 year guarantee
- 66mm depth behind bezel to minimise panel depth

Description

The second generation PM6-LP-4C microprocessor based panel 2-wire loop powered display has been designed to be accommodated in shallow panel installations. The PM6-LP-4C is a 4 digit indicator with a high contrast LCD display with 12.7mm digits to ensure excellent visibility. All function settings and calibration is achieved by user programmable pushbuttons (pushbutton functions include decimal point, digital filter, resolution, square root extractor etc.). The display is fully scalable to read in engineering units. The PM6 is supplied factory calibrated and computer tested. Since the instrument utilises pushbutton setup it can be scaled and configured without test equipment or the need to dismantle to select components. The instrument is powered from the loop and will accept 4-20mA or 10-50mA current loops (user configurable).

Electrical connections are made via plug in terminal blocks. A terminal with no internal connections is provided, as a convenient connector for the loop cable. The programmable digital filter improves stability by smoothing out short term interference. An external input is configurable to perform one of various functions e.g. maximum value, minimum value, peak hold, display hold or tare. The PM6-LP is housed in a rugged DIN panel mount enclosure with a bezel size of 48 x 96mm and requires a depth behind the bezel of only 66mm (with a small extra allowance for cabling).

Order Code: PM6-LP-4C

PM6LP-2.2-0

AMALGAMATED INSTRUMENT CO PTY LTD

ACN: 001 589 439

Unit 5, 28 Leighton Place Hornsby
NSW 2077 Australia

Telephone: +61 2 9476 2244
Facsimile: +61 2 9476 2902

e-mail: sales@aicpl.com.au
Internet: www.aicpl.com.au

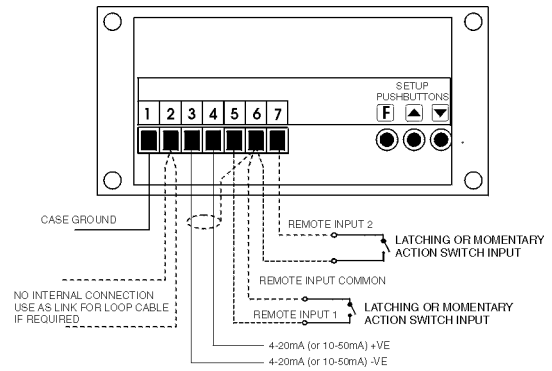
Technical Specifications

Input	4-20mA or 10-50mA (user selectable)
Current range	Measurable 3.5mA to 22mA (4-20mA input) Measurable 9.0mA to 55mA (10-50mA input)
Input protection	150mA either direction
Voltage Drop	2V at 4mA, 2.3V at 20mA nominal
ADC resolution:	15 bit
Decimal points:	0 to 3 decimal point places (selectable)
Calibration range:	Anywhere within the instrument display range
Overrange indication:	- - - - on display
Accuracy:	0.025% of full scale when calibrated $\pm 50\text{ppm}/^{\circ}\text{C} \pm 1$ digit
Sample rate:	2.5 updates per second
Display update:	2.5 times per second
Ambient temp:	-10°C to 50°C
Humidity:	5 to 95% non condensing
Display:	4 digit 12.7mm liquid crystal display
Power supply:	Powered by the 4-20mA or 10-50mA loop

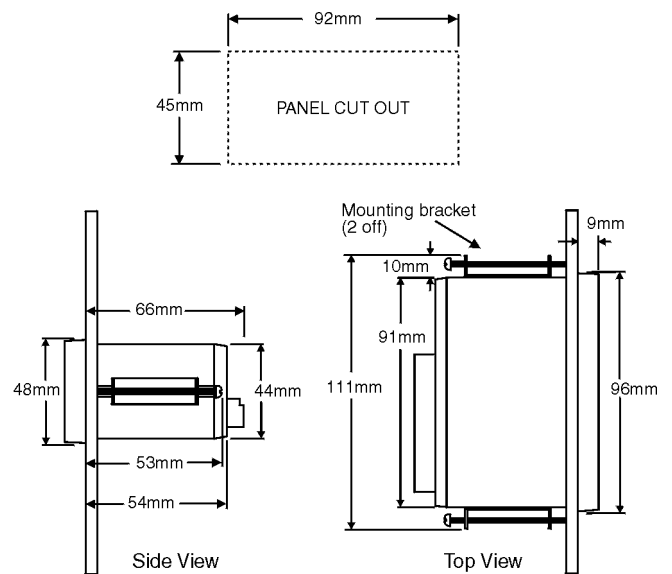
Physical Characteristics

Bezel size:	DIN 48mm x 96mm x 9mm
Case size:	44mm x 91mm x 66mm behind face of panel
Panel cut out:	45mm x 92mm (+1mm & - 0mm)
Connections:	Plug in screw terminals (max 2.5mm ² wire)
Weight:	180g unpacked

PM6-LP electrical connections



PM6-LP panel mounting details



A model with 6 digits is also available
The 6 digit model can be configured as a rate/total display

Model: PM6-LP-6C

Ask for brochure for the PM6-LP-6C or download
[pm6lp6c.pdf](http://www.aicpl.com.au/brochures/pm6lp6c.pdf) (<http://www.aicpl.com.au/brochures/pm6lp6c.pdf>)



PM6LP-2.2-0