

# The Intelligent PM6-IE

## fully user configurable panel mount indicator



### Features

- Measures DC inputs within the user selectable ranges of  $\pm 20\text{mA}$ ,  $4\text{-}20\text{mA}$ ,  $\pm 100\text{mV}$ ,  $\pm 1\text{V}$ ,  $\pm 10\text{V}$  or  $\pm 100\text{V}$
- 4 digit high brightness LED display
- Large 20mm high digits - Viewing distance up to 10m
- Programmable/switchable display brightness, helps to reduce glare in low light environments  
Ideal for automotive or marine "in cab" applications
- Visual indication of high or low setpoint  
- display can be set to flash value
- Easily scaled to read in engineering units e.g. Litres/sec., kPa, etc.
- Can be scaled without the need for test equipment or special tools
- Pushbutton setup of scaling & functions
- Calibration and set up data stored in EEPROM
- Programmable decimal point
- Programmable digital filter, improves stability
- Up to 16 point X, Y lineariser table
- Square root extractor
- Leading zero blanking
- Inbuilt transmitter supply. AC supply models: 18 to 24VDC unregulated, 25mA max. DC supply models: 15VDC unregulated at 25mA maximum.
- Choice of power supplies - 240 VAC, 110VAC, 24VAC or isolated 12 to 48V DC (factory configured)
- DIN size 96mm x 48mm bezel
- Microprocessor based design
- Computer tested and pre-calibrated
- Rugged aluminium enclosure
- 2 year guarantee
- Remote input to perform special functions e.g. maximum, minimum, zero, peak hold, display hold or display brightness



### Description

The PM6 panel mount display features easy to use set up programming functions. Changes to the settings are made using three pushbuttons located at the rear of the instrument.

The PM6-IE accepts DC inputs of  $\pm 20\text{mA}$ ,  $4\text{-}20\text{mA}$ ,  $\pm 100\text{mV}$ ,  $\pm 1\text{V}$ ,  $\pm 10\text{V}$  and  $\pm 100\text{V}$  and may be scaled to read directly in your engineering units. The instrument may be scaled without the need for test equipment, simply by entering in the display values for the upper and lower limits of the selected range. The PM6 may also be calibrated on line by entering in the actual process values at two points.

For applications requiring non linear calibration sixteen point X, Y linearisation and a square root extractor functions are included.

The high accuracy design allows for calibration within the pre-defined ranges, for example a 0 to 100mV input may be displayed using the 0-1V range and will be scalable over the full 4 digit display range with a minimum resolution of 1 in 20,000.

The large high brightness 20mm red LED display provides excellent visibility, even in brightly lit areas. A special feature of the PM6 is the programmable display brightness, which allows the display intensity to be reduced to conserve power or to reduce glare in darker areas. The display brightness can also be switched to the preset level by a remote input. This enhances the flexibility of the indicator in differing ambient light conditions

The PM6 is packaged in a rugged industrial  $1/8$  DIN panel mount enclosure, with a behind panel depth of only 115mm.

PM6IE-1.7-0

**AMALGAMATED INSTRUMENT CO PTY LTD**

ACN: 001 589 439

Unit 5, 28 Leighton Place Hornsby  
NSW 2077 Australia

Telephone: +61 2 9476 2244  
Facsimile: +61 2 9476 2902

e-mail: sales@aicpl.com.au  
Internet: www.aicpl.com.au

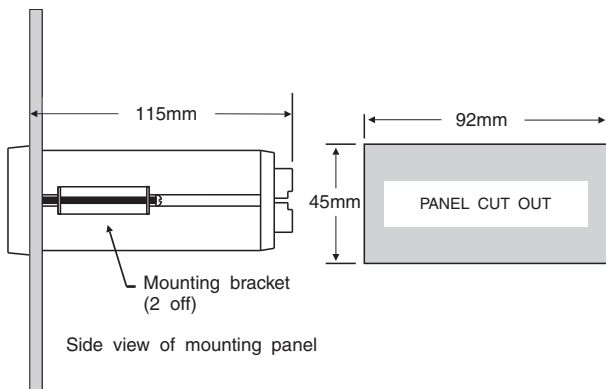
## Technical Specifications

Input	4-20mA or $\pm 20$ mA or $\pm 100$ mVDC or $\pm 1$ VDC or $\pm 10$ VDC or $\pm 100$ VDC (user selectable)
ADC resolution:	15 bit plus sign
Decimal points:	0 to 3 decimal point places (selectable)
Accuracy:	0.1% of full scale when calibrated $\pm 50$ ppm/ $^{\circ}$ C $\pm 1$ digit
Sample rate:	2 samples per second
Display update:	2 times per second
Ambient temp:	-10 $^{\circ}$ C to 50 $^{\circ}$ C
Humidity:	5 to 95% non condensing
Display:	4 digit 20mm LED
Transmitter Supply	AC models: Unregulated 24VDC, maximum 25mA. DC models: Unregulated 15VDC, maximum 25mA.
Power supply:	AC 240V, 110V or 24V or DC isolated 12 to 48VDC Note: Factory configured
Power usage:	AC supply 2VA + transmitter current DC supply typically 25mA at 24VDC + transmitter current or 50mA at 12VDC + transmitter current

## Physical Characteristics

Bezel size:	DIN 48mm x 96mm x 9mm
Case size:	44mm x 91mm x 115mm behind face of panel
Panel cut out:	45mm x 92mm (+1mm & - 0mm)
Connections:	Plug in screw terminals (max 2.5mm <sup>2</sup> wire)
Weight:	400g (AC supply model) or 300g (DC supply model) unpacked

## PM6-IE panel mounting details



## PM6-IE Accessories

Description	Model No.
IP65 access cover	COVER-IP65
Wall mount enclosure	ENC-PM1-01
Wall mount encl. with IP65 cover	ENC-IP65-PM1-01
Surface mount kit	PM4-OPT-SMKIT
Portable/bench enclosure AC	ENC-PM-AC
Portable/bench enclosure DC	ENC-PM-DC

## Order Code:

PM6-IE-240-4E	240VAC supply
PM6-IE-110-4E	110VAC supply
PM6-IE-24-4E	24VAC supply
PM6-IE-DC-4E	12-48VDC supply

## PM6-IE case dimensions

