

Intelligent PM4 monitors

Model PM4-TMR

Multifunction Timer



4 digit LED 20mm digit height



4 digit LCD 12.7mm digit height



5 digit LED 14.2mm digit height



6 digit LED 14.2mm digit height



8 digit LED 10mm digit height



6 digit LCD 12.7mm digit height

Description

The PM4-TMR is a highly visible and versatile indicator with a selection of display options.

User selectable display formats are:

- Seconds e.g. **2324**
- Minutes.Seconds e.g. **23853**
- Minutes e.g. **8472**
- Hours.Mins e.g. **1222**
- Hours.Mins.Secs - 6 and 8 digit models e.g. **085230**
- Hours e.g. **2464**
- Days e.g. **364**
- Days.Hours e.g. **08.11**

The PM4-TMR accepts contact closure or control voltage inputs. The instrument may be used in stopwatch (start, stop, reset inputs) or elapsed time mode (start and reset inputs) and may be set for up or down timing. A scaled period mode of operation allows the display to be scaled i.e. multiplied or divided by a factor. An inverse period mode allows the display to measure inverse time quantities such as velocity. Each instrument is supplied with one control/alarm relay (standard). An external input is configurable to perform one of various functions e.g. zero, setpoint only access or full security lockout of functions.

Features

- Battery backed memory
- Pushbutton calibration and setup
- 240V, 110V, 32V, 24VAC or 12 to 48VDC operation (factory configured)
- Alarm/control relay output (5A) with up to 32 day/time setpoints
- Remote input for special functions including
 - Reset
 - Setpoint Access
 - No Access
 - Display brightness control

Output Options

- Additional setpoint relays (1, 3 or 6)
- RS232 or RS485 serial communications
- Single or dual channel analog retransmission

PM4TMR-3.4-0

AMALGAMATED INSTRUMENT CO PTY LTD

ACN: 001 589 439

Unit 5, 28 Leighton Place Hornsby
NSW 2077 Australia

Telephone: +61 2 9476 2244
Facsimile: +61 2 9476 2902

e-mail: sales@aicpl.com.au
Internet: www.aicpl.com.au

Specifications - subject to change without notice

Technical Specifications

| | |
|---------------------------------|---|
| Inputs | Contact closure or control voltage input for start and stop inputs |
| Input Impedance: | 10kΩ |
| Memory Retention: | Battery backed memory |
| Timer functions: | Period Measurement or scaled period measurement |
| Accuracy: | Period Measurement 0.01% ±10mS |
| Resolution: | 0.01 second minimum |
| Reset: | Contact closure using Reset or Remote Input terminals or via front P button function setting (on instruments with front buttons) |
| Microprocessor: | MC68HC11 CMOS |
| Ambient temp: | LED models -10°C to 60°C, LCD models -10°C to 50°C |
| Humidity: | 5% to 95% non condensing |
| Display types: | LED models: 4 digit 20mm, 5 digit 14.2mm, status LEDs, keypad. 6 digit 14.2mm, keypad. LCD models: 4 digit or 6 digit 12.7mm |
| Power supply: | 240, 110, 32, 24VAC 50/60Hz, or 12 to 48VDC (factory configured) |
| Power usage: | AC supply 4 VA max, DC supply, consult supplier |
| Output (standard): | 1 x relay, form A, rated 5A resistive |
| Relay action: | Programmable N.O. or N.C. |
| Output Options | |
| Extra relays: | 1, 3 or 6 extra relays available |
| Serial Communications: | Serial RS232 or RS485, choice of ASCII or Modbus RTU protocols |
| Analog Retransmission: | 12 bit isolated single or dual channel retransmission (4-20mA, 0-1VDC, 0-10VDC link selectable) |
| DC Voltage Output: | Isolated ±12VDC (24VDC) standard or ±5VDC (10VDC) @ 25mA maximum |
| Physical Characteristics | |
| Bezel size: | DIN 48mm x 96mm x 10mm |
| Case size: | 44mm x 91mm x 115mm behind face of panel |
| Panel cut out: | 45mm x 92mm (+1mm & -0mm) |
| Connections: | Plug in screw terminals (max 2.5mm ² wire) |
| Weight: | 400g basic model, 450g with option card |

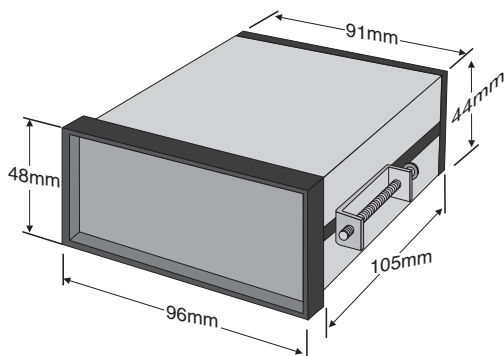
PM4-TMR Order Codes

| | |
|--|-----|
| PM4-TMR - [] - [] - [] | |
| Power Supplies | |
| PM4-TMR - [XXX] - [] - [] | |
| 240VAC | 240 |
| 110VAC | 110 |
| 32VAC | 32 |
| 24VAC | 24 |
| 12 to 48VDC | DC |
| Display Types | |
| PM4-TMR - [] - [XXX] - [] | |
| 4 DIGIT LED | 4E |
| 5 DIGIT LED + KEYPAD & ALARM LEDs | 5E |
| 6 DIGIT LED + KEYPAD | 6E |
| 8 DIGIT + KEYPAD | 8E |
| 4 DIGIT LCD | 4C |
| 6 DIGIT LCD | 6C |
| Output Options PM4-TMR - [] - [] - [XXX] | |
| ANALOG (4-20mA, 0-1V or 0-10V selectable) | A |
| DUAL ANALOG (4-20mA, 0-1V or 0-10V selectable) | AA |
| RS232 | 2 |
| RS485 | 4 |
| DC VOLTAGE OUTPUT 24V (±12V) | 12 |
| 1 EXTRA RELAY | R |
| 3 EXTRA RELAYS | RRR |
| 6 EXTRA RELAYS | R6 |

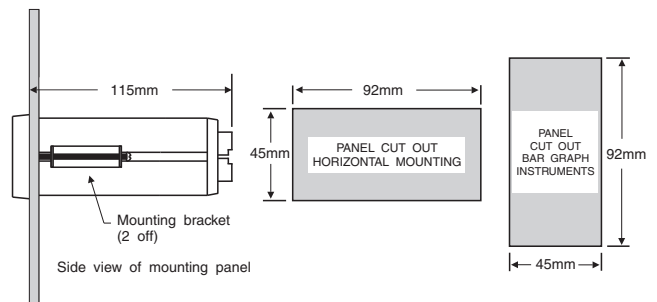
PM4-TMR Accessories

| Description | Model No. |
|----------------------------------|-----------------|
| IP65 access cover | COVER-IP65 |
| Wall mount enclosure | ENC-PM1-01 |
| Wall mount encl. with IP65 cover | ENC-IP65-PM1-01 |
| Surface mount kit | PM4-OPT-SMKIT |
| Portable/bench enclosure AC | ENC-PM-AC |
| Portable/bench enclosure DC | ENC-PM-DC |

PM4-TMR case dimensions



PM4-TMR panel mounting details



Wiring diagrams and full operations manual are available from www.aicpl.com.au/pdf/pm4tmrma.pdf.