

Intelligent PM4 Monitors Model PM4-BC



Displays from BCD/Binary/Gray Code Inputs



12.7mm LCD 4 digit



20mm LED 4 digit



14.2mm LED 5 digit plus keypad and alarm LEDs



14.2mm LED 6 digit plus keypad



20 segment LED bar graph plus 7.6mm LED 5 digit display with keypad

Description

Model PM4-BC panel meter provides the versatility and flexibility needed to interface with BCD/Binary/Gray Code input signals.

The PM4-BC can be factory configured to suit input voltages of 5V, 12 to 24V or 48V or voltage free contact closure.

Input polarity, operating mode (parallel, strobed or addressed), decimal point and non BCD special character displays, are easily selected by the user. For BCD inputs the "non BCD character" display feature allows for the display of special messages (e.g. H , L or PE etc.) as well as negative (-) signs and blank display digits.

The number of input bits is programmable from 1 to 20 bits (or 17 bits if external decimal point selection is used).

One, four or six alarm relays can be optionally provided. These operate on high and/or low alarm points. Other options for this instrument include optically isolated analog retransmission (4-20mA or DC volts), binary or BCD retransmission or serial communications (RS232 or RS485). All options operate from any input mode with the exception of the "non BCD character" modes.

Electrical isolation between power supply and signal input eliminates grounding and common mode voltage problems. This isolation feature makes the PM4 ideal for interfacing to PLCs, computers etc.

Features

- Rugged construction
- 240V, 110V, 32V, 24V AC, 12 to 48VDC or 50 to 110VDC supply operation (factory configured)
- Electrical isolation between signal input and power supply
- 2 year guarantee
- Decimal point - programmable or externally selectable (external operation uses 3 of the available 20 input bits)
- Data input high or low - selectable
- Strobe polarity high or low - selectable
- Special weighted input display/retransmission mode for up to 8 inputs

BCD selectable inputs

- Parallel - up to 5 digits
- Strobed - up to 8 digits
- Addressed - up to 8 digits
- Various character displays for non BCD codes

Binary/Gray inputs

- Up to 20 bits
- 4 bits plus up to 8 strobe lines

Options

- Alarm relays, 1, 3 or 6 relays (5A at 240VAC)
- Optically isolated analog output 4-20mA, 0-1V or 0-10V (link selectable) - single or dual outputs
- RS232 or RS485 serial communications
- Isolated binary or BCD retransmission

PM4BC-2.3-0

AMALGAMATED INSTRUMENT CO PTY LTD

ACN: 001 589 439

Unit 5, 28 Leighton Place Hornsby
NSW 2077 AUSTRALIA

Telephone: +61 2 9476 2244
Facsimile: +61 2 9476 2902

e-mail: sales@aicpl.com.au
Internet: www.aicpl.com.au

SPECIFICATIONS

Specifications are subject to change without notice

TECHNICAL SPECIFICATIONS

Input types: BCD or Binary or Gray code parallel, addressed or strobed

Signal voltage: Factory configured. Voltage free contact, 5V, 12 to 24V or 48V

Decimal point: User programmable placement or externally selectable

Data level: Selectable high or low

Microprocessor: MC68HC11 CMOS

Ambient temp: LED models -10 to 60°C, LCD models -10 to 50°C

Humidity: 5 to 95% non condensing

Display types: **LED models:** 4 digit 20mm, 5 digit 14.2mm plus status LEDs + 4 way keypad.
6 digit 14.2mm + 4 way keypad
8 digit 10mm + 4 way keypad
LED bar graph 20 segment bar + 5 digit 7.6mm + 4 way keypad
LCD models: 4 digit 12.7mm or 6 digit 12.7mm

Power supply: AC 240, 110, 32 or 24V 50/60Hz, 12 to 48VDC or 50 to 110V DC (factory configured)

Power usage: AC supply 4 VA max, DC supply, consult supplier, (depends on display type/options)

OUTPUT OPTIONS

Alarm relays: 1, 3 or 6 alarm relays voltage free (5A @ 240V resistive load)

Retransmission: **Analog** isolated 4 to 20mA, 0 to 1V or 0 to 10V link selectable single or dual options available
Serial RS232 or RS485
Digital isolated binary or BCD

PHYSICAL CHARACTERISTICS

Bezel size: DIN 48mm x 96mm x 10mm

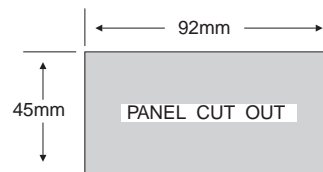
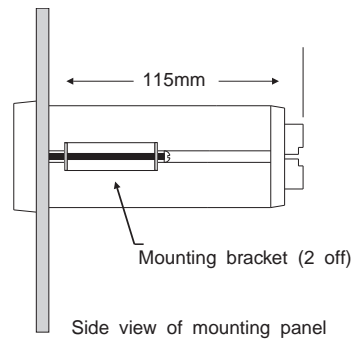
Case size: 44mm x 91mm x 115mm behind face of panel

Panel cut out: 45mm x 92mm +1mm & - 0mm

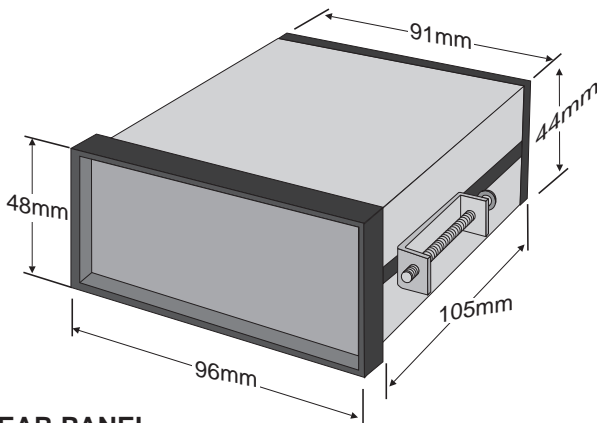
Connections: Plug in screw terminals (max 2.5mm² wire) plus 22 way terminal (max 1mm² wire)

Weight: 450 gms

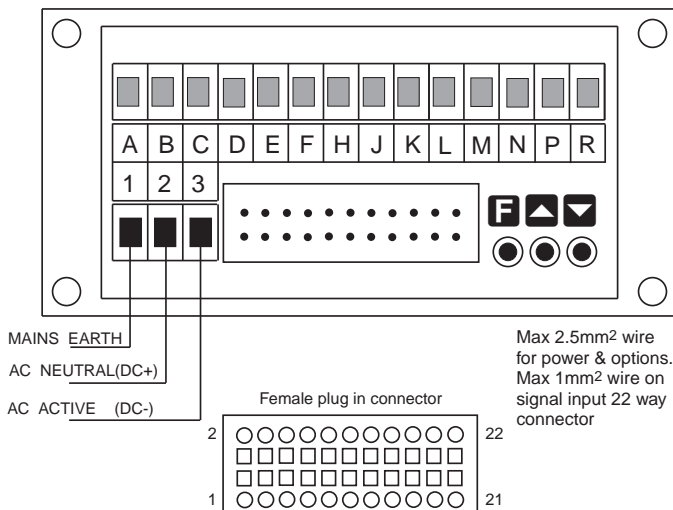
PANEL MOUNT INSTALLATION



INSTRUMENT DIMENSIONS



REAR PANEL



ORDER CODE

PM4-BC-	<input type="checkbox"/>	<input type="checkbox"/>	<input type="checkbox"/>	<input type="checkbox"/>	-	<input type="checkbox"/>	<input type="checkbox"/>
POWER SUPPLY							
PM4-BC-	<input type="checkbox"/>	<input type="checkbox"/>	<input type="checkbox"/>	<input type="checkbox"/>	-	<input type="checkbox"/>	<input type="checkbox"/>
240 VAC
110 VAC
32 VAC
24 VAC
12 to 48 VDC
50 to 110 VDC
DISPLAY TYPE							
PM4-BC-	<input type="checkbox"/>	<input type="checkbox"/>	<input type="checkbox"/>	<input type="checkbox"/>	-	<input type="checkbox"/>	<input type="checkbox"/>
4 DIGIT LED
5 DIGIT LED + KEYPAD + STATUS LEDs
6 DIGIT LED + KEYPAD
8 DIGIT LED + KEYPAD
BARGRAPH + 5 DIGIT DISPLAY + KEYPAD
4 DIGIT LCD
6 DIGIT LCD
OPTIONAL RELAY OUTPUTS							
PM4-BC-	<input type="checkbox"/>	<input type="checkbox"/>	<input type="checkbox"/>	<input type="checkbox"/>	-	<input type="checkbox"/>	<input type="checkbox"/>
1 RELAY
3 RELAYS
6 RELAYS
OPTIONAL RETRANSMISSION OUTPUT							
PM4-BC-	<input type="checkbox"/>	<input type="checkbox"/>	<input type="checkbox"/>	<input type="checkbox"/>	-	<input type="checkbox"/>	<input type="checkbox"/>
ANALOG (4-20 mA, 0-1 V or 0-10 V selectable)
DUAL ANALOG (4-20 mA, 0-1 V or 0-10 V select.)
RS232
RS485
BCD/Binary NPN
BCD/Binary PNP