

SG-LPC Series

Low Profile Universal



Capacities: 0-1t to 0-100t

Low profile tension and compression

Nickel plated tool steel construction

Sealed and coated for environmental protection to IP67

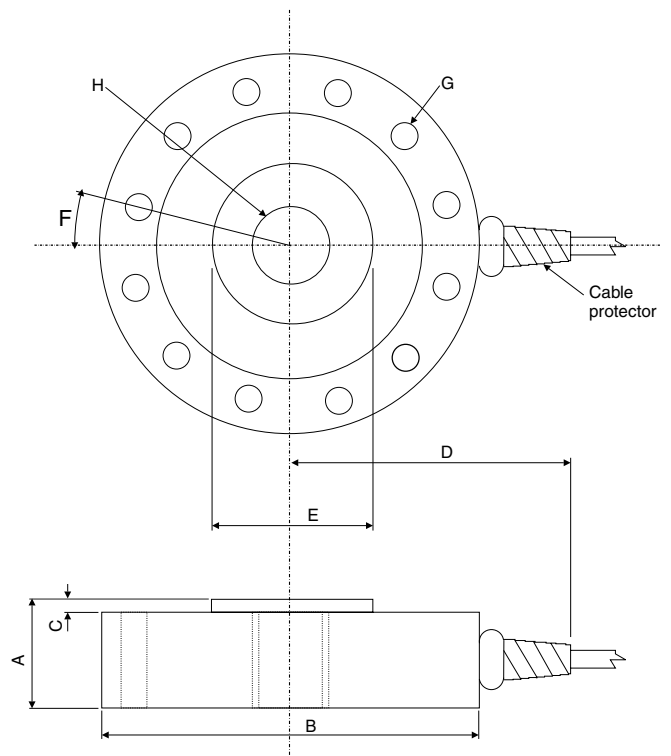
Simple Installation

Individually calibrated with test certificate supplied

Directly replaces international models

Specifications

Nominal Capacity	0-1t to 0-100t
Nominal Output at capacity	2mV/V \pm 0.1%
Factory calibration mode	Compression
Linearity error	<0.05% FSO
Non-Repeatability	<0.02% FSO
Zero return/creep (30 mins)	<0.03%/0.03% FSO
Temp effect on span/10°C	<0.02% FSO
Temp effect on zero/10°C	<0.025% capacity
Insulation resistance - bridge to ground	>5000M Ω
Insulation resistance - cable to ground	>1000M Ω
Compensated temperature range	-10° to 50°C
Output resistance	705 Ω nominal
Input resistance	820 Ω nominal
Service load	100% of capacity
Safe load	150% of capacity
Mechanical failure	300% of capacity
Recommended excitation	5V to 20V AC/DC
Maximum Excitation	25VDC
Environmental protection	IP67

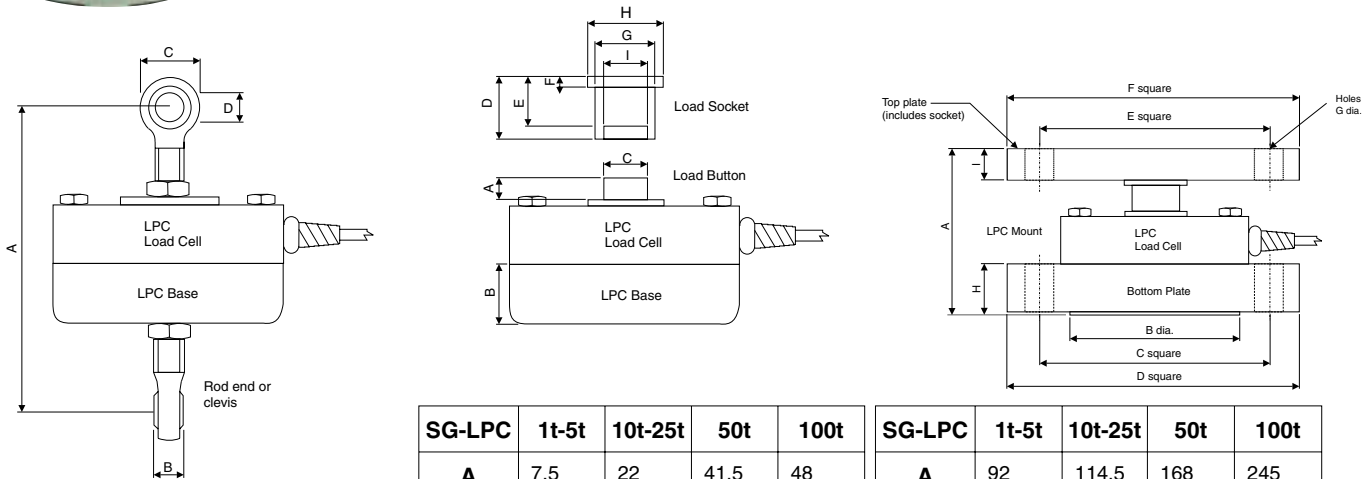


Capacity	Order Code
0-1t	SG-LPC-1T
0-2.5t	SG-LPC-2.5T
0-5t	SG-LPC-5T
0-10t	SG-LPC-10T
0-25t	SG-LPC-25T
0-50t	SG-LPC-50T
0-100t	SG-LPC-100T

SG-LPC	A	B	C	D	E	F	G	H
1T	35	105	3	95	35	22.5°	8 6.5 ϕ PCD 88.9	5/8"UNF
2.5T	35	105	3	95	35	22.5°	8 6.5 ϕ PCD 88.9	5/8"UNF
5T	35	105	3	95	35	22.5°	8 6.5 ϕ PCD 88.9	5/8"UNF
10T	44.5	155	3	125	65	15°	12 10.5 ϕ PCD 130.2	1 1/4"UNF
25T	44.5	155	3	125	65	15°	12 10.5 ϕ PCD 130.2	1 1/4"UNF
50T	63.5	205	6.5	145	95	11.25°	16 13 ϕ PCD 165.1	1 1/4"UNF
100T	90	280	13	185	125	11.25°	16 17.5 ϕ PCD 228.6	2 3/4"UNF



SG-LPC Series Accessories and Wiring Specifications



SG-LPC	1t-5t Rod End	10t-25t Rod End	50t Clevis	100t Clevis
A	164	220	272	411
B	19.05	35	50	80
C	38	70	100	160
D	15.88	25.4	40	85

SG-LPC	1t-5t	10t-25t	50t	100t
A	7.5	22	41.5	48
B	28.5	44.5	58	76
C	27	44.5	63.5	101.6
D	28	30	38	63
E	21.5	18	25	50
F	8	10	10	15
G	35	60	80	120
H	50	75	100	150
I	30	48	68.5	107

SG-LPC	1t-5t	10t-25t	50t	100t
A	92	114.5	168	245
B	76	100	150	260
C	127	140	200	290
D	150	200	250	325
E	127	140	200	290
F	150	200	250	325
G	14	17.5	17.5	17.5
H	28	30	38	57
I	18	20	28	32

Rod ends and clevises are used with the SG-LPC load cell for tension applications. They are used singly or in pairs and provide ease of installation with the additional self aligning action where a rod end can be used.

The load button and hardened socket are used with the SG-LPC in compression applications. With the load cell rigidly fixed to a base, load is applied through the socket. If a suitable load button is attached top and bottom, the load cell converts to self centring pendle action.

The complete mount is used with the SG-LPC in compression load applications. The mount can be ordered complete to simplify installation or the top and bottom plates can be ordered separately to match individual requirements.

SG-LPC	1t - 2.5t	5t	10t	25t	50t	100t
Rod end bearing	SG-A-RE0.625-2	SG-A-RE0.625-5	SG-A-RE1.250-10	SG-A-RE1.250-25	SG-A-RE1.750-50	SG-A-RE2.750-100
Load button	SG-A-LB0.625	SG-A-LB0.625	SG-A-LB1.250	SG-A-LB1.250	SG-A-LB1.750	SG-A-LB2.750
Load socket	SG-A-LS50	SG-A-LS50	SG-A-LS75	SG-A-LS75	SG-A-LS100	SG-A-LS150
LPC base	SG-A-TB-5	SG-A-TB-5	SG-A-TB-25	SG-A-TB-25	SG-A-TB-50	SG-A-TB-100
LPC mount	SG-M-LPC-5	AG-M-LPC-5	SG-M-LPC-25	SG-M-LPC-25	SG-M-LPC-50	SG-M-LPC-100
LPC bottom plate	SG-A-BPLPC-5	AG-A-BPLPC-5	SG-A-BPLPC-25	SG-A-BPLPC-25	SG-A-BPLPC-50	SG-A-BPLPC-100
LPC top plate	SG-A-TP-5	SG-A-TP-5	SG-A-TP-25	SG-A-TP-25	SG-A-TP-50	SG-A-TP-100
Spherical washer	A-SW16/30	A-SW16/30	A-SW32/60	A-SW32/60	A-SW45/90	A-SW70/140

WIRING SPECIFICATIONS

RED + Excitation
 BLACK - Excitation
 GREEN + Signal
 WHITE - Signal
 BROWN + Sense
 BLUE - Sense

CABLE LENGTH

Cable is 6 core silver grey quality PVC sheathed with screen and has a length as follows.
 SG-LPC 1t - 5t 3 metres
 SG-LPC 10t-25t 5 metres
 SG-LPC 50t-100t 10 metres