

SG-AR & SG-ARL Series

Annular Ring Load Cells

Features

- Standard AR and low-profile ARL
- Measure bolt tension
- Capacities 0-500kg to 0-300T
- Stainless & alloy steel construction
- IP65 rating

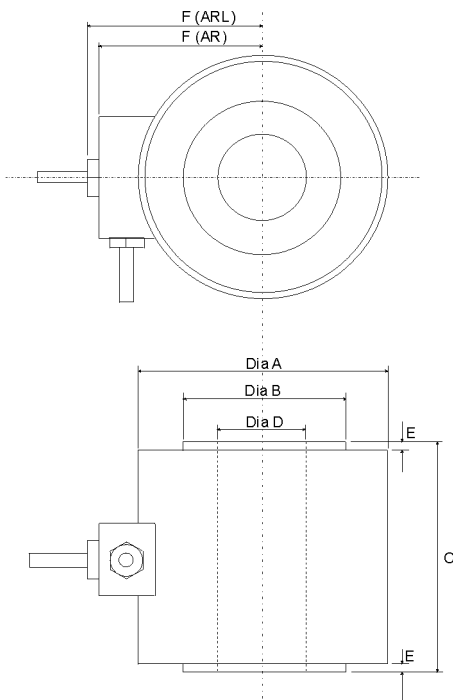


Order Code

SG-AR-0.5	Range 0-500kg
SG-AR-1	Range 0-1t
SG-AR-3	Range 0-3t
SG-AR-5	Range 0-5t
SG-AR-10	Range 0-10t
SG-AR-20	Range 0-20t
SG-AR-50	Range 0-50t
SG-AR-100	Range 0-100t
SG-AR-200	Range 0-200t
SG-AR-300	Range 0-300t
SG-ARL-6	Range 0-6t
SG-ARL-8	Range 0-8t
SG-ARL-12	Range 0-12t
SG-ARL-16	Range 0-16t
SG-ARL-35	Range 0-35t
SG-ARL-50	Range 0-50t
SG-ARL-75	Range 0-75t

Specifications

Specification	AR (Standard)	ARL (Low profile)
Output at capacity	1mV/V ± 0.1	1.5mV/V ± 0.5
Linearity error	<0.1% FSO	<1% FSO
Hysteresis	<0.1% FSO	<1% FSO
Non-repeatability	<0.05% FSO	<0.5% FSO
Creep (30 mins)	<0.1% FSO	<0.2% FSO
Temp effect span/10°C	<0.05% FSO	<0.2% FSO
Temp effect zero/10°C	<0.05% FSO	<0.2% FSO
Compensated temp. range	-10°C to +50°C	-10°C to +50°C
Operating temp. range	-20°C to +60°C	-20°C to +60°C
Safe load	150% of capacity	150% of capacity
Ultimate load	300% of capacity	300% of capacity
Recommended excitation	9 to 12VAC/DC	9 to 12VAC/DC
Maximum excitation	15VDC	15VDC
Input resistance	385 ± 10 Ω	380 ± 10 Ω
Input resistance	385 ± 10 Ω	380 ± 10 Ω
Environmental protection	IP65	IP65
Cable	6m long x 6mm dia.	6m long x 6mm dia.



Note: The cable is tangential for AR & radial for ARL.

Dimensions

Model	A	B	C	D	E	F	Wt(kg)
SG-AR-0.5	40	35	50	10	1.0	50	1.3
SG-AR-1	62	55	74	18	2.0	61	1.9
SG-AR-3	62	55	70	18	2.0	61	1.8
SG-AR-5	60	36	70	18	2.0	60	1.6
SG-AR-10	60	36	80	18	2.0	60	2.0
SG-AR-20	90	68	80	43	3.0	75	3.3
SG-AR-50	115	109	110	80	3.0	87.5	6
SG-AR-100	166	141	110	85	3.0	113	11
SG-AR-200	240	190	120	120	3.0	150	23
SG-AR-300	240	195	120	120	3.0	150	23
SG-ARL-6	24	17.8	12	10.3	0.2	21	0.5
SG-ARL-8	28	22.5	15	12.3	0.2	21	0.7
SG-ARL-12	32	28	15	16.3	0.3	21	0.7
SG-ARL-16	46	38	15	20.3	0.3	21	0.7
SG-ARL-35	54	48	22	24.5	0.5	21	1.1
SG-ARL-50	65	60	27	30.8	0.5	21	1.5
SG-ARL-75	79	64	27	37	1.0	21	1.3
Dimensions in millimetres unless noted							

LOPT-AR-1.2-0

AMALGAMATED INSTRUMENT CO PTY LTD

ACN: 001 589 439

Unit 5, 28 Leighton Place Hornsby
NSW 2077 Australia

Telephone: +61 2 9476 2244
Facsimile: +61 2 9476 2902

e-mail: sales@aicpl.com.au
Internet: www.aicpl.com.au