

SG-PT8000

Precision Transducers model SG-PT8000
welded, hermetically sealed load cell



Capacities: 0-5kg to 0-500kg

Complete stainless steel construction

4 wire load cell

Hermetically sealed to IP68

Hostile environment capability

Industry standard size and shape

OIML R60 and NTEP Approved

Precision Transducers model SG-PT8000 is a welded bending beam load cell manufactured in stainless steel. Hermetically sealed against moisture, the model SG-PT8000 construction and polyurethane shielded cable enables the load cell to function in harsh environments while maintaining its operating specifications

The low profile, high accuracy and sealing makes this load cell highly suitable for applications such as low profile platforms, weighing and packing machines, conversion of mechanical scales and a variety of other applications where sealed cells are required.

A conversion kit is available that converts the model SG-PT8000 to an "S" type tension load cell.

Other accessories include *Cellmates* for vessel weighing, *Shock Mounts* to minimise vibration and *Ball-in-cup* providing a flexible pivot.

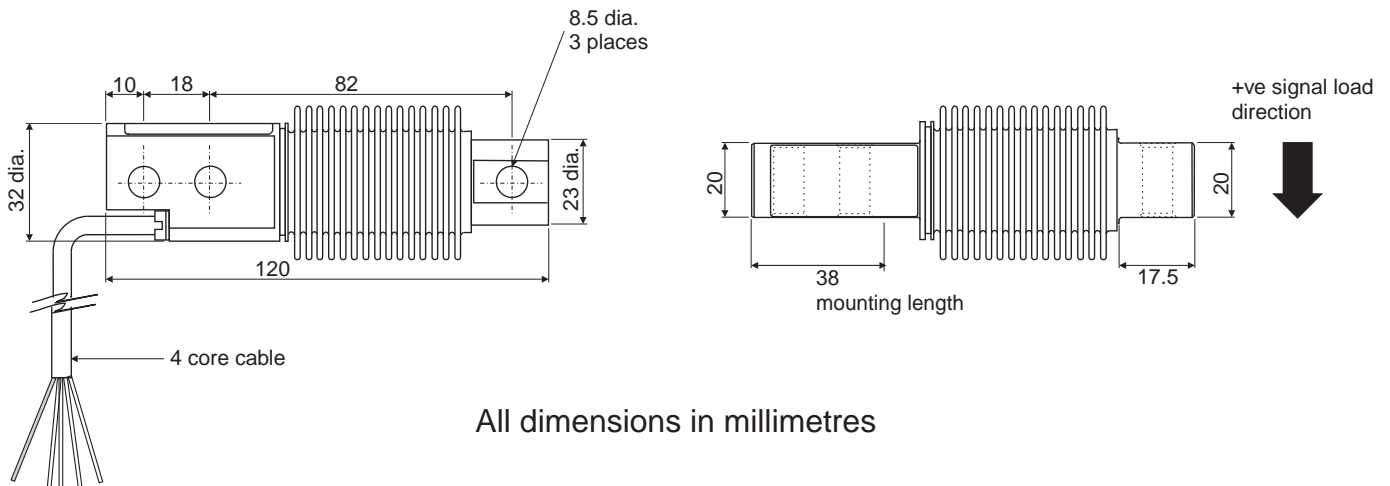
Capacity	Order Code
0-5kg	SG-PT8000-5
0-10kg	SG-PT8000-10
0- 20kg	SG-PT8000-20
0- 50kg	SG-PT8000-50
0-100kg	SG-PT8000-100
0-200kg	SG-PT8000-200
0-250kg	SG-PT8000-250
0-500kg	SG-PT8000-500

SG-PT8000 Specifications



Rated Capacities (kg)		0 -5, -10, -20, -50, -100, - 200, -250, -500
Rated Output		2.0 mV/V \pm 0.1%
Total Error		<0.0250 % FSO
Temperature Effect:	on Output on Zero	<0.0010 % FSO <0.0015 % FSO
Temperature Range:	Operating Compensated	-30 to +80 °C -10 to +40 °C
Safe Load		150% of rated capacity
Ultimate Load		300% of rated capacity
Full load deflection		<0.4mm
Excitation:	Recommended Maximum	5-12 Volts AC or DC 15 Volts AC or DC
Input Impedance		415 \pm 15 Ω
Output Impedance		350 \pm 3 Ω
Insulation Impedance		>5000 M Ω
Construction		Stainless Steel
Environmental Protection		Standard: IP68

Dimensions for all capacities



All dimensions in millimetres

WIRING SPECIFICATIONS

RED	+ Excitation
BLACK	- Excitation
GREEN	+ Signal
WHITE	- Signal

Also available

A conversion kit can be supplied that converts the model SG-PT8000 to an "S" type tension load cell. Other accessories include *Cellmates* for vessel weighing, *Shock mounts* to minimise vibration and *Ball-in-cup* providing a flexible pivot.

LOP_8000-3.1-0

AMALGAMATED INSTRUMENT CO PTY LTD

ACN: 001 589 439

Unit 5, 28 Leighton Place Hornsby
NSW 2077 AUSTRALIA

Telephone: +61 2 9476 2244
Facsimile: +61 2 9476 2902

e-mail: sales@aicpl.com.au
Internet: www.aicpl.com.au