

SG-SCN Series

Rope clamp load cells

Specifications

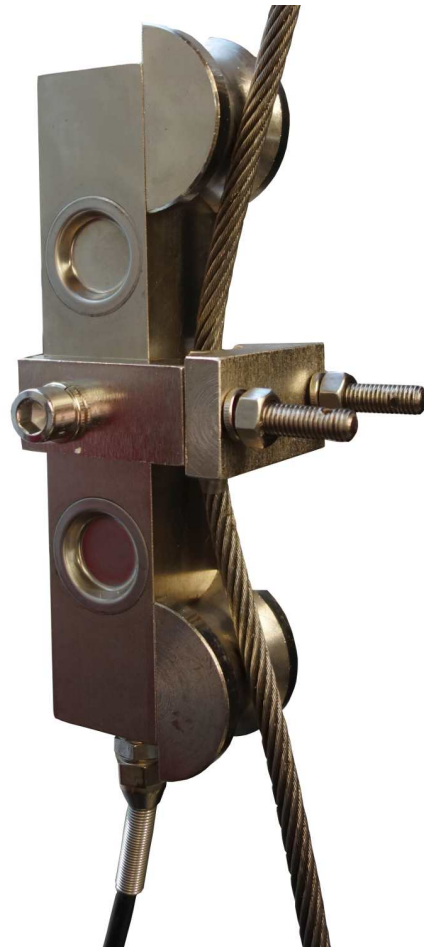
- Rope Size: Models for 10-18mm and 16-26mm wire rope
- Material: Alloy steel
- Protection class: IP67
- Cable: 6m length, 6mm dia.
- Excitation: 15VDDC maximum, 10VDC recommended
- Output: 1.0mV/V ± 0.1 mV
- Total error: $\pm 0.5\%$ of full scale
- Creep: $\pm 0.1\%$ of full scale (30 seconds)
- Zero balance: $\pm 1\%$ of full scale
- Operating temperature range: -30 to +60°C
- Input resistance: 750 Ω $\pm 50\Omega$
- Output resistance: 702 Ω $\pm 3\Omega$
- Safe overload: 1.2 x capacity
- Weight: 3kg (10-18mm model),
4kg (16-26mm model)

Order Codes

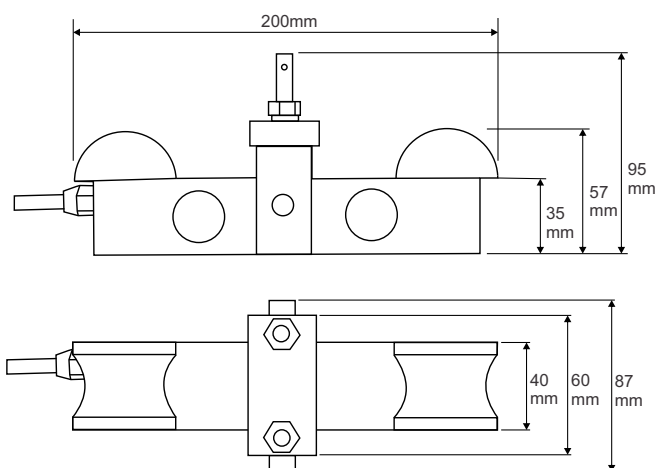
SG-SCN-10-18 For 10 to 18mm rope (2T wire force)
SG-SCN-16-26 For 16 to 26mm rope (5T wire force)

Wiring

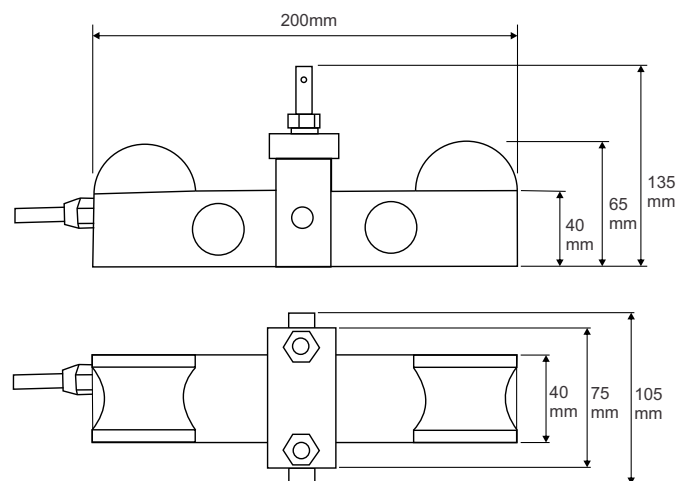
RED + Excitation
BLACK - Excitation
GREEN + Signal
WHITE - Signal



Dimensions: model SG-SCN-10-18



Dimensions: model SG-SCN-16-26



SGSCN-1.3-0

AMALGAMATED INSTRUMENT CO

ABN: 80 619 963 692

Unit 5, 28 Leighton Place Hornsby
NSW 2077 Australia

Telephone: +61 2 9476 2244
Facsimile: +61 2 9476 2902

e-mail: sales@aicpl.com.au
Internet: www.aicpl.com.au