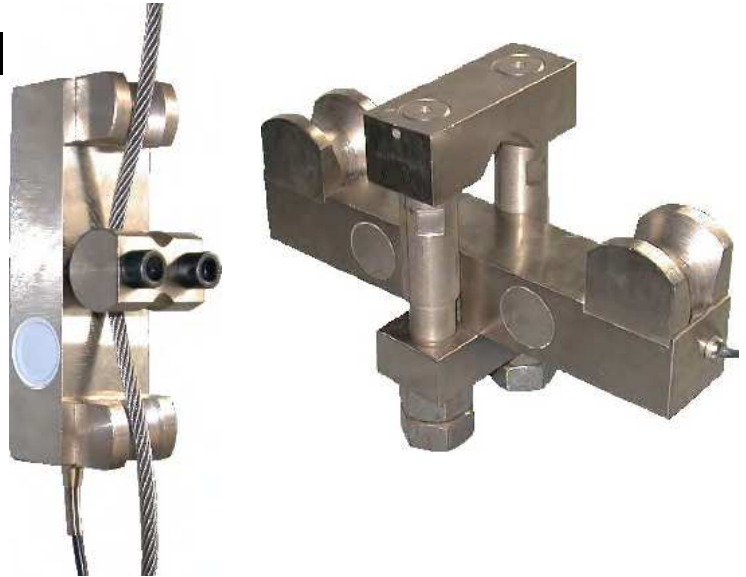
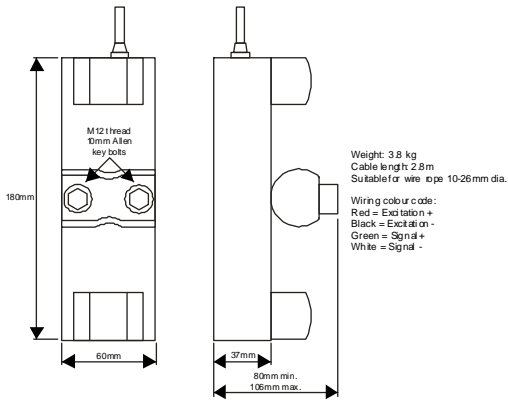
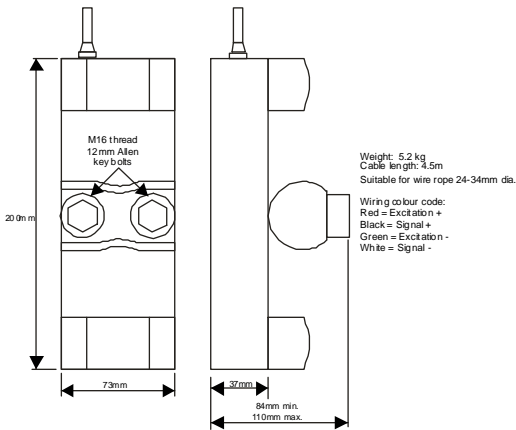


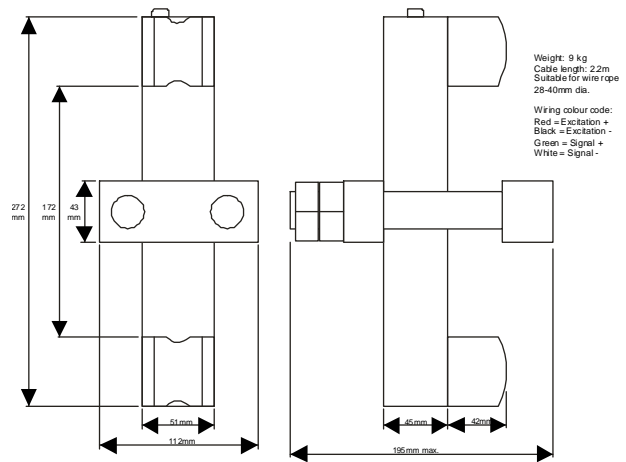
Rope Clamp Load Cell Model SG-CSFQ



SG-CSFQ-10-26 dimensions



SG-CSFQ-24-36 dimensions



SG-CSFQ-28-40 dimensions

Capacity	10-26mm rope dia	Operating Temperature	-40°C to 80°C
	24-36mm rope dia	Compensated range	-10°C to 40°C
	28-40mm rope dia	Insulation Resistance	2,000 mΩ
Output	1.5mV/V/nom.	Recommended Excitation	10VDC
Non-linearity	0.3% of full scale		
Temperature effect on output	< 20 ppm/°C applied load		
Temperature effect on zero	< 40 ppm/°C applied load		

Model	SG-CSFQ-10-26	SG-CSFQ-24-36	SG-CSFQ-28-40
Rope size	10mm to 26mm	24mm to 36mm	28mm to 40mm
Length	180mm	200mm	280mm
Width	60mm	73mm	112mm
Height	108mm max	110mm max	195mm max

Excitation +	Red
Excitation -	Black
Signal +	Green
Signal -	White

LOADCSFQ-2.1-0

AMALGAMATED INSTRUMENT CO PTY LTD

Unit 5, 28 Leighton Place Hornsby
NSW 2077 AUSTRALIA

Telephone: +61 2 9476 2244
Facsimile: +61 2 9476 2902

ACN: 001 589 439
e-mail: sales@aicpl.com.au
Internet: www.aicpl.com.au