

Large digit displays - 38, 45 or 57mm digit height models

LD-TR for pulse input

The LD-TR with the 38mm, 45mm & 57mm displays will be ideal for applications where rate/total indications need to be visible. The instrument can be used for counting product on a line, for displaying RPM, for flow applications, belt speed and many other applications where a pulse signal is available. These displays are also ideal for batching applications.

Displays



6 digit 38mm high LED (visibility to 18m)



5 digit 45mm high LED (visibility to 20m)

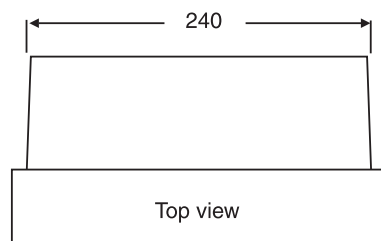
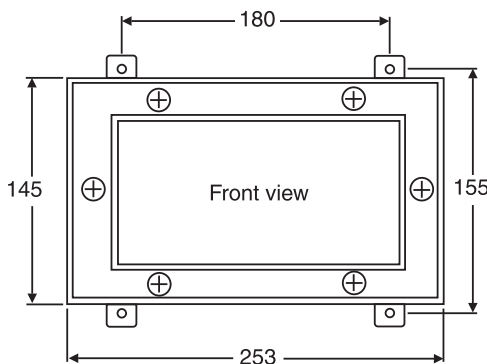


4 digit 57mm high LED (visibility to 25m)

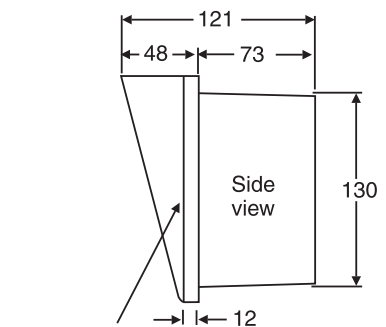


Features

- Rate, Total or Grand Total from pulse input
- 6 x 38mm LED - visibility rating to 18m
- 5 x 45mm LED - visibility rating to 20m
- 4 x 57mm LED - visibility rating to 25m
- Remote reset or programmable automatic reset
- Period display available for input signals less than 1kHz
- Totaliser display is configurable for up or down count
- Compatible with a wide range of input sensor types with a pulse output
- IP65 rated wall mount enclosure
- 2 configurable setpoint relays rated at 240VAC, 5A into a resistive load, form A.
- Relays can be set to send an indication that a multiple has been reached e.g. a pulse every 100 items
- Panel mount kit available
- Pushbutton setup and scaling
- Remote input can be configured to one of a wide range of functions including zero, display toggle, peak hold, etc.
- Programmable digital filter
- RS232 or RS485 serial communications optionally available
- The auto-brightness feature for LED displays varies the display brightness to suit the ambient light
- 2 year guarantee
- See separate brochures for 39mm flip digit, 100mm LED and flip digit and 200mm LED display models



All dimensions in mm



Can be ordered with or without hood

LDTR384557-4.4-0

AMALGAMATED INSTRUMENT CO PTY LTD

ACN: 001 589 439

Unit 5, 28 Leighton Place Hornsby
NSW 2077 Australia

Telephone: +61 2 9476 2244
Facsimile: +61 2 9476 2902

e-mail: sales@aicpl.com.au
Internet: www.aicpl.com.au

Specifications

Input types	Selectable types inc: NPN, PNP, switch contact, magnetic pickup, output from TTL, CMOS, square wave, etc Maximum 48VDC or 48V RMS
Reset input	Voltage free switch contact or 5VDC signal
Memory	Battery backed totaliser memory
Max. count rate	100kHz
Accuracy	Better than 0.01% for rate display (0.01% \pm 10 μ sec for period display)
Input Impedance	10k Ω
Display modes	Rate or total or for inputs less than 1kHz period can be displayed instead of rate Toggling between displays is possible via front pushbuttons or remote switch Grand total viewing via <input type="checkbox"/> or <input type="checkbox"/> pushbuttons
Sensor supply	5 VDC regulated or 18 to 24VDC unregulated, link selectable (25mA max.) For DC supply versions the unregulated supply is slightly less than supply voltage
Microprocessor:	MC68HC11 CMOS
Ambient temp:	-10°C to 60°C
Humidity:	5% to 95% non condensing
Display types:	38mm 6 digit red LED with alarm annunciators and 4 way keypad 45mm 5 digit red LED with alarm annunciators and 4 way keypad 57mm 4 digit red LED See separate LD-TR brochures for other display sizes
Power supply:	See order code table (type is factory configured)
Power usage:	AC supply 15VA max, DC supply typically 250mA at 24VDC (57mm display) DC supply typically 100mA at 24VDC (38 & 45mm displays)
Outputs (standard):	2 x relays, form A, rated at 240VAC, 5A resistive
Outputs (optional):	See order code table (type is factory configured)
Relay action:	Programmable N.O. or N.C. Can be set in totaliser operation to activate for a programable time on multiples of a set value
Environmental rating:	IP65
Weight:	1.3 kg
Dimensions:	See front page

Typical applications for the LD-TR

- Flow rate and/or flow totalising from pulse output flowmeter e.g. pipeline, refueling encoder etc.
- Belt speed display with input from proximity sensor or encoder
- Item counter for production lines etc. (total plus grand (accumulated) total available)
- Count down or count up totaliser for batching operation
- Frequency display e.g. RPM, kph, m/s, litres/sec., litres/hour, Hz etc.
- Length/height/distance measurement from encoder input

LDTR384557-4.4-0

AMALGAMATED INSTRUMENT CO PTY LTD

ACN: 001 589 439

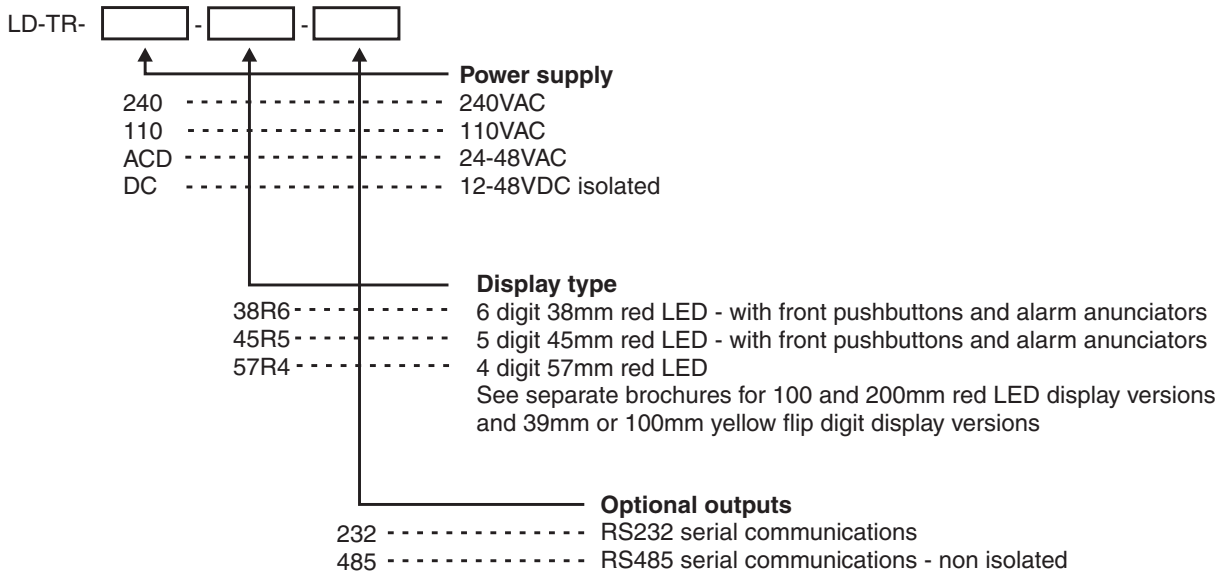
Unit 5, 28 Leighton Place Hornsby
NSW 2077 Australia

Telephone: +61 2 9476 2244
Facsimile: +61 2 9476 2902

e-mail: sales@aicpl.com.au
Internet: www.aicpl.com.au

LD-TR order codes for 38, 45 or 57mm displays

The last section is for optional outputs (if required).
Optional outputs are factory configured.

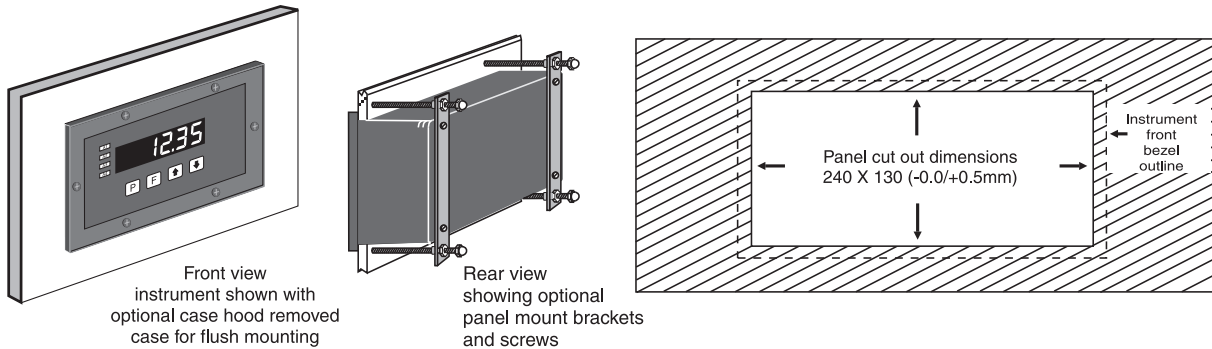


Panel mounting

The instrument is provided with removable surface (e.g.wall) mounting tabs mounting. A panel mount kit is optionally available which allows the instrument to be mounted in a panel cut out. If required the instrument can be optionally supplied with the front hood removed to allow a more flush panel mount fitting.

Part number for panel mount kit: LD-MTG-PM-KIT

Part number for hood removal: LD-HOOD-REMOVAL



Applications/input types available with large digit display models

- Analog input, process transmitters etc. $\pm 20\text{mA}$, 4-20mA or $\pm 2.5\text{VDC}$, $\pm 25\text{VDC}$, slidewire
- Pulse input, rate, total, count, grand total (encoders, switches, proximity sensors etc.)
- Temperature - RTD, thermocouple, 4-20mA
- Weighing - 4 or 6 wire mV/V output loadcells
- Pressure measurement - 4 or 6 wire mV/V pressure sensors or 4-20mA analog transducers
- Liquid level measurement - 4 or 6 wire mV/V pressure sensors or 4-20mA analog transducers
- Serial input - RS232, RS485, Serial current loop for slave displays etc.
- Synchronous Serial Interface (SSI) for high accuracy position etc. measurement
- Binary, BCD or Gray Code input
- Real Time clock with alarms
- Multifunction timer - elapsed time, stopwatch, run time etc.

LDTR384557-4.4-0

AMALGAMATED INSTRUMENT CO PTY LTD

ACN: 001 589 439

Unit 5, 28 Leighton Place Hornsby
NSW 2077 Australia

Telephone: +61 2 9476 2244
Facsimile: +61 2 9476 2902

e-mail: sales@aicpl.com.au
Internet: www.aicpl.com.au