

Large Digit Display – 39mm “flip” digit height LD-TMR multifunction timer



Features

- 4 or 6 x 39mm EMD “flip” digits visibility rating to 18m
- Stopwatch (start/stop/reset inputs), elapsed time and pulse timer modes
- 3 timer modes available, time display, scaled time display or inverse time (e.g. velocity) display
- Single pulse timing or accumulating time display options
- Resolution down to 0.01 seconds
- 2 configurable setpoint relays standard - capacity 240VAC, 5A, form A
- Pushbutton scaling and setup
- Remote reset or programmable automatic reset
- 2 year guarantee
- IP65 rated wall mount enclosure
- Panel mount kit available

Description

The LD-TMR range of large digit displays is designed for use with contact closure or 0-5VDC signals for “START”, “STOP” and “RESET” functions. The display can be set for count up or count down timing. In count down mode the “RESET” function can set the display to a preset time (e.g. counting down from 24 minutes).

Some jumpers are set within the instrument to define the input type but calibration, alarm settings, decimal point etc are all carried out using the push buttons on the main board of the instrument.

The 39mm “flip” displays are housed in rugged, IP65 rated, UV stabilised ASA enclosures.



LDTMR39-2.1-0

AMALGAMATED INSTRUMENT CO PTY LTD

ACN: 001 589 439

Unit 5, 28 Leighton Place Hornsby
NSW 2077 Australia

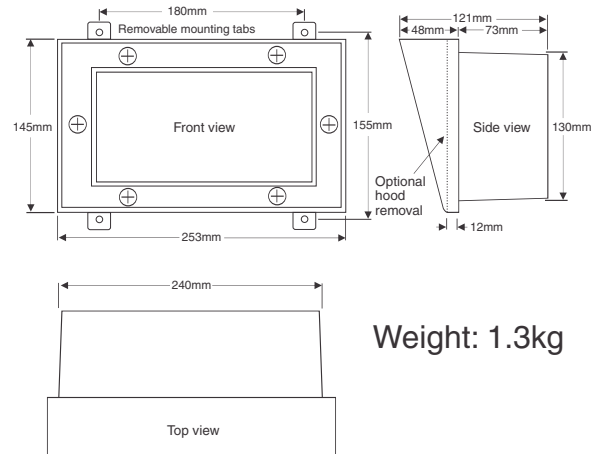
Telephone: +61 2 9476 2244
Facsimile: +61 2 9476 2902

e-mail: sales@aicpl.com.au
Internet: www.aicpl.com.au

Technical Specifications

Input types	Selectable types inc: NPN, PNP, switch contact, magnetic pickup, output from TTL, CMOS, square wave, etc
Reset input	Voltage free switch contact or 5VDC signal
Stop input	VOLTage free contact switch or 5VDC signal
Max. count rate	100kHz
Accuracy	Better than 0.01% for rate display (0.01% $\pm 10\mu\text{sec}$ for period display)
Input Impedance	10k Ω
Microprocessor	MC68HC11 CMOS
Sensor supply:	5VDC regulated or 18 to 25VDC unregulated, link selectable (25mA max.)
Ambient temperature	-10°C to 60°C
Humidity	5% to 95%
Outputs	2 x setpoint relays, form A, rated 5A at 240VAC (resistive load)
Power Supply	See order code table (type is factory configured)
Power Consumption	AC supply: 15VA max, DC supply: depends on supply voltage, typically 500mA (2A peak) for 24VDC using non isolated DC supply

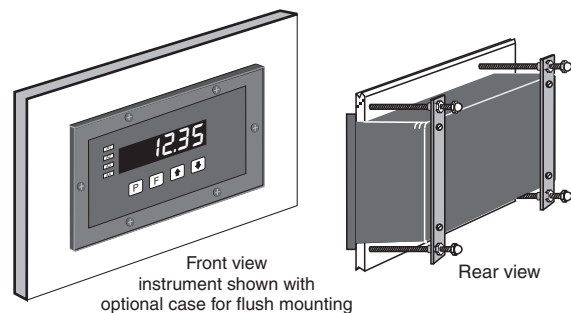
Dimensions



Order Codes

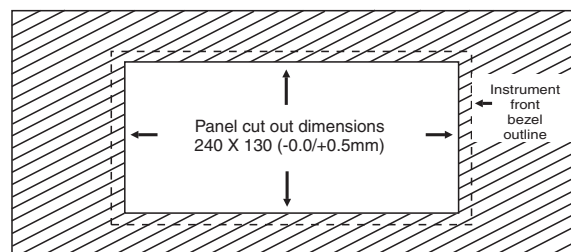
Order Code	Display	Supply Voltage
LD-TMR-240-39E4	4 x 39mm "flip"	240VAC
LD-TMR-110-39E4	4 x 39mm "flip"	110VAC
LD-TMR-DCN-39E4	4 x 39mm "flip"	24VDC non isolated
LD-TMR-DC-39E4	4 x 39mm "flip"	12-48VDC isolated
LD-TMR-240-39E6	6 x 39mm "flip"	240VAC
LD-TMR-110-39E6	6 x 39mm "flip"	110VAC
LD-TMR-DCN-39E6	6 x 39mm "flip"	24VDC non isolated
LD-TMR-DC-39E6	6 x 39mm "flip"	12-48VDC isolated

Panel Mounting Options

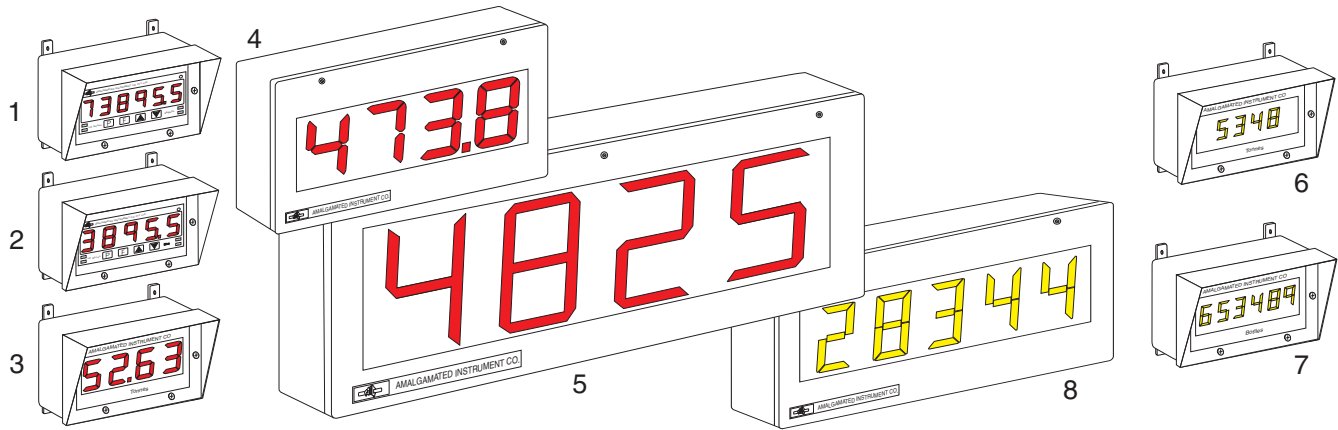


Options

Option Code	Description
LD-OPT-TMR-232	RS232 serial comms, non-isolated
LD-OPT-TMR-485	RS485 serial comms, non-isolated
LD-MTG-PM-KIT	Panel mount kit incl brackets & screws
LD-HOOD-REMOVAL	Front hood removal



Displays available in Large Digit Series



No.	LED digit size	No of digits	No.	"FLIP" digit size	No of digits
1	38mm (1.5")	6	6	39mm (1.5") - selected models	4
2	45mm (1.8")	5	7	39mm (1.5") - selected models	6
3	57mm (2.3")	4	8	100mm (4")	4, 5 and 6
4	100mm (4")	4 and 6	Other sizes and styles of display are under development		
5	200mm (8")	4			

Applications/input types available with large digit display models

- Analog input, process transmitters etc. $\pm 20\text{mA}$, 4-20mA or $\pm 2.5\text{VDC}$ or $\pm 25\text{VDC}$
- Pulse input, rate, total, count, grand total (encoders, switches, proximity sensors etc.)
- Temperature - RTD, thermocouple, 4-20mA
- Weighing - 4 or 6 wire mV/V output loadcells
- Pressure measurement - 4 or 6 wire mV/V pressure sensors or 4-20mA analog transducers
- Liquid level measurement - 4 or 6 wire mV/V pressure sensors or 4-20mA analog transducers
- Serial input - RS232, RS485, Serial current loop for slave displays etc.
- Synchronous Serial Interface (SSI) for high accuracy position etc. measurement
- Binary, BCD or Gray Code input
- Real Time clock with alarms
- Multifunction timer - elapsed time, stopwatch, run time etc.