

Large digit displays - 38, 45 or 57mm digit height models

LD-TMR multifunction timer

The LD-TMR with the 38mm, 45mm & 57mm displays will be ideal for timing applications where elapsed time or period measurement indications need to be visible at a distance. The instrument can be used for elapsed time or stopwatch functions with comprehensive alarm functions.

Displays



6 digit 38mm high LED (visibility to 18m)



5 digit 45mm high LED (visibility to 20m)

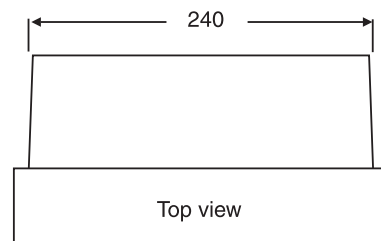
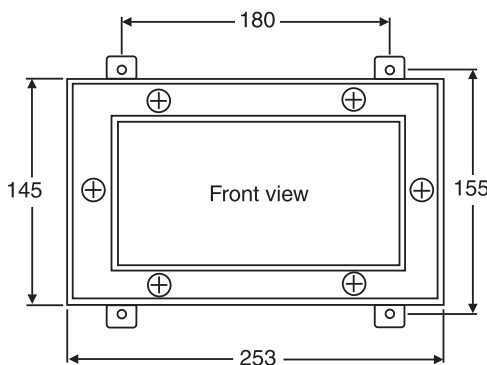


4 digit 57mm high LED (visibility to 25m)

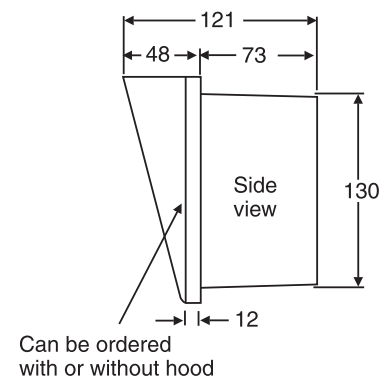


Features

- 6 x 38mm LED - visibility rating to 18m
- 5 x 45mm LED - visibility rating to 20m
- 4 x 57mm LED - visibility rating to 25m
- Stopwatch (start/stop/reset inputs), elapsed time and pulse timer modes
- 3 time modes available, time display, scaled time display or inverse time (e.g. velocity) display
- Single pulse timing or accumulating time display
- Resolution down to 0.01 seconds
- Remote reset or front panel **P** button reset (on displays with **P** buttons)
- Compatible with a wide range of input sensor types with a pulse output
- IP65 rated wall mount enclosure
- 2 configurable setpoint relays rated at 240VAC, 5A into a resistive load, form A.
- Panel mount kit available
- Pushbutton setup and scaling
- Input can be configured to one of a wide range of functions including zero, peak hold, etc.
- Programmable digital filter
- RS232 or RS485 serial communications optionally available
- The auto-brightness feature for LED displays varies the display brightness to suit the ambient light
- 2 year guarantee
- See separate brochures for 39mm flip digit, 100mm LED and flip digit and 200mm LED display models



All dimensions in mm



LDTMR384557-2.5-0

AMALGAMATED INSTRUMENT CO PTY LTD

ACN: 001 589 439

Unit 5, 28 Leighton Place Hornsby
NSW 2077 Australia

Telephone: +61 2 9476 2244
Facsimile: +61 2 9476 2902

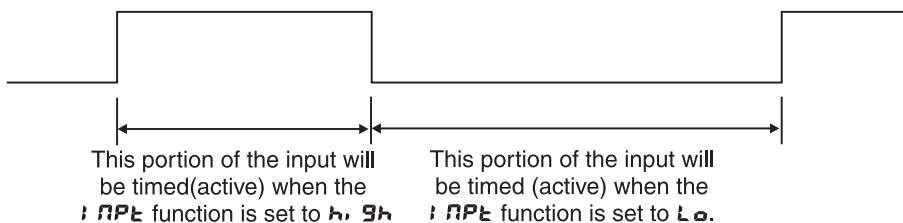
e-mail: sales@aicpl.com.au
Internet: www.aicpl.com.au

Specifications

Input types	Selectable types inc: NPN, PNP, switch contact, magnetic pickup, output from TTL, CMOS, square wave, etc Maximum 48VDC
Reset input	Voltage free switch contact or 5VDC signal
Memory	Battery backed time memory
Resolution	10mS when suitable display mode is selected
Input Impedance	10k Ω
Display modes	User selectable from days, days.hours, hours, hours.minutes, minutes, hours.minutes.seconds, minutes.seconds or seconds (down to 0.01 seconds) Selection also depends on number of display digits
Sensor supply	5 VDC regulated or 18 to 24VDC unregulated, link selectable (25mA max.) For DC supply versions the unregulated supply is slightly less than supply voltage
Microprocessor:	MC68HC11 CMOS
Ambient temp:	-10°C to 60°C
Humidity:	5% to 95% non condensing
Display types:	38mm 6 digit red LED with alarm annunciators and 4 way keypad 45mm 5 digit red LED with alarm annunciators and 4 way keypad 57mm 4 digit red LED See separate LD-TMR brochures for other display sizes
Power supply:	See order code table (type is factory configured)
Power usage:	AC supply 15VA max, DC supply typically 250mA at 24VDC (57mm display) DC supply typically 100mA at 24VDC (38 & 45mm displays)
Outputs (standard):	2 x relays, form A, rated at 240VAC, 5A resistive
Outputs (optional):	See order code table (type is factory configured)
Relay action:	Programmable N.O. or N.C.
Environmental rating:	IP65
Weight:	1.3 kg
Dimensions:	See front page

Operation modes for the LD-TMR

In non scaled timing mode there are 9 different timing modes available. For example the display can be set to increment during the active period and accumulate with the subsequent active inputs (e.g. hours run) or to reset automatically on receipt of the next active input. Stopwatch modes allow for up or down counting using separate start, stop and reset inputs. Some modes will automatically reset, other modes require an external reset input.



LDTMR384557-2.5-0

AMALGAMATED INSTRUMENT CO PTY LTD

ACN: 001 589 439

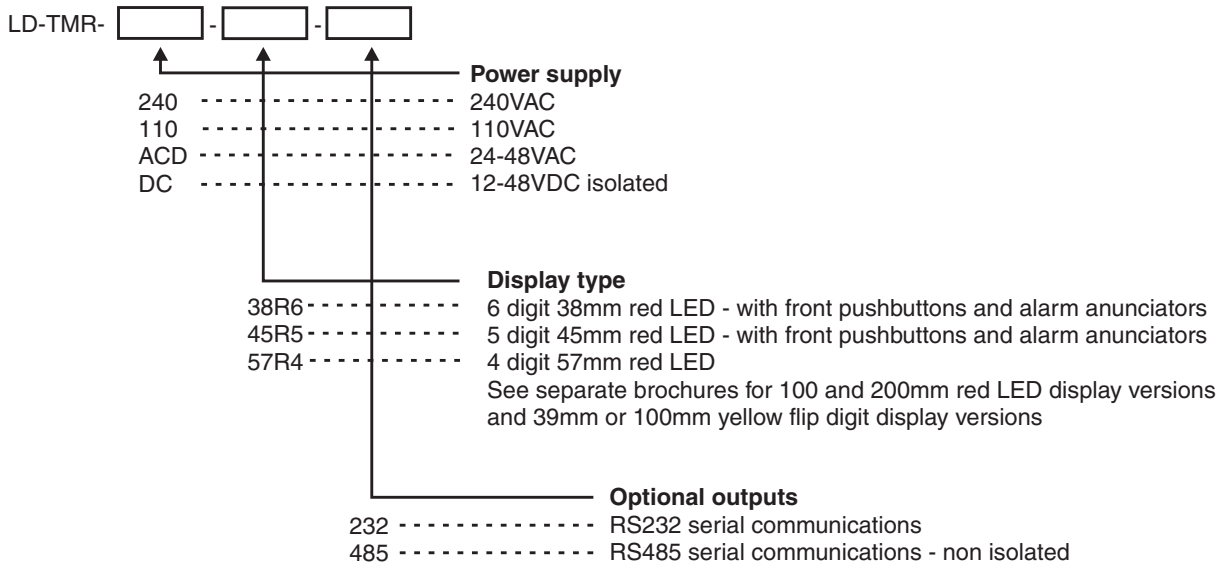
Unit 5, 28 Leighton Place Hornsby
NSW 2077 Australia

Telephone: +61 2 9476 2244
Facsimile: +61 2 9476 2902

e-mail: sales@aicpl.com.au
Internet: www.aicpl.com.au

LD-TMR order codes for 38, 45 or 57mm displays

The last section is for optional outputs (if required).
Optional outputs are factory configured.

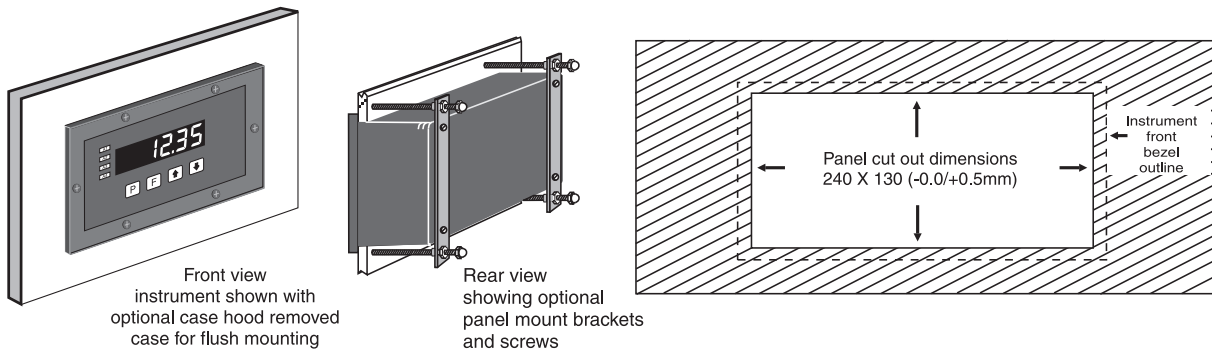


Panel mounting

The instrument is provided with removable surface (e.g.wall) mounting tabs mounting to cover most common timing requirements. A panel mount kit is optionally available which allows the instrument to be mounted in a panel cut out. If required the instrument can be optionally supplied with the front hood removed to allow a more flush panel mount fitting.

Part number for panel mount kit: LD-MTG-PM-KIT

Part number for hood removal: LD-HOOD-REMOVAL



Applications/input types available with large digit display models

- Analog input, process transmitters etc. $\pm 20\text{mA}$, 4-20mA or $\pm 2.5\text{VDC}$, $\pm 25\text{VDC}$, slidewire
- Pulse input, rate, total, count, grand total (encoders, switches, proximity sensors etc.)
- Temperature - RTD, thermocouple, 4-20mA
- Weighing - 4 or 6 wire mV/V output loadcells
- Pressure measurement - 4 or 6 wire mV/V pressure sensors or 4-20mA analog transducers
- Liquid level measurement - 4 or 6 wire mV/V pressure sensors or 4-20mA analog transducers
- Serial input - RS232, RS485, Serial current loop for slave displays etc.
- Synchronous Serial Interface (SSI) for high accuracy position etc. measurement
- Binary, BCD or Gray Code input
- Real Time clock with alarms
- Multifunction timer - elapsed time, stopwatch, run time etc.

LDTMR384557-2.5-0

AMALGAMATED INSTRUMENT CO PTY LTD

ACN: 001 589 439

Unit 5, 28 Leighton Place Hornsby
NSW 2077 Australia

Telephone: +61 2 9476 2244
Facsimile: +61 2 9476 2902

e-mail: sales@aicpl.com.au
Internet: www.aicpl.com.au