

# Large Digit Display – 200mm digit height

## LD-TMR multifunction timer



### Description

The LD-TMR range of large digit displays has a variety of timing modes available.

Flexible timing modes allow single event timing with automatic or manual reset or accumulating timing e.g. "Hours run".

Other modes include reciprocal timing for velocity display, scaled timing i.e. actual time can be scaled.

The display can be set for count up or count down timing. In count down mode the "RE-SET" function can set the display to a preset time (e.g. counting down from 24 minutes).

Some jumpers are set within the instrument to define the input type, but selection of operating mode, alarm settings, etc. are all carried out using the push buttons on the main board of the instrument.

The 200mm LED digit displays are housed in rugged, IP65 rated, powder coated zinc coated steel enclosures.

### Applications

- Stopwatch display
- Hours run display
- Up timer display
- Down timer display
- Velocity display from timed pulse input

### Features

- 4 digit 200mm Red LED
- Visible from 100 metres
- Versatile timing modes
- Single event or accumulated time
- Up or down timing or stopwatch operation
- Reciprocal timing mode allows velocity to be displayed
- Display configurable from seconds, minutes and seconds etc. to days display
- IP65 rated wall mount enclosure, powder coated steel standard, stainless steel optional
- 2 configurable setpoint relays standard rated at 240VAC, 5A into a resistive load, form C
- Relays can be set to operate from high or low value
- Remote reset or programmable automatic reset
- Period display for input signals less than 1kHz
- Pushbutton setup and scaling
- Remote inputs can be configured to one of a wide range of functions including zero, display hold, peak hold, etc.
- Programmable digital filter for rate display
- RS232 or RS485 serial communications optionally available
- The auto-brightness feature for LED displays varies the display brightness to suit the ambient light
- 2 year guarantee
- See separate brochures for 38, 45, 57mm and 100mm display models



LDTMR200-3.0-0

**AMALGAMATED INSTRUMENT CO PTY LTD**

ACN: 001 589 439

Unit 5, 28 Leighton Place Hornsby  
NSW 2077 Australia

Telephone: +61 2 9476 2244  
Facsimile: +61 2 9476 2902

e-mail: sales@aicpl.com.au  
Internet: www.aicpl.com.au

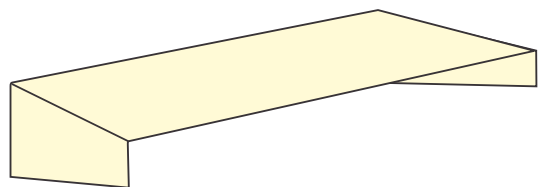
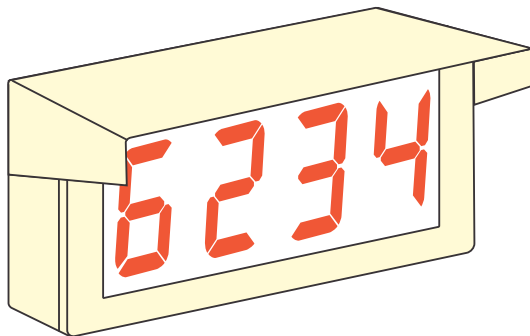
## Specifications

Timer input:	Selectable types inc: NPN, PNP, switch contact, magnetic pickup, output from TTL, CMOS, square wave, etc.
Reset input	Voltage free switch contact or 5VDC signal
Stop input	Voltage free switch contact or 5VDC signal
Memory	Battery backed memory
Input Impedance	10k $\Omega$
Sensor supply	5 VDC regulated or 18 to 24VDC unregulated, link selectable (50mA max.)
Microprocessor	MC68HC11 CMOS
Ambient temp	-10°C to 60°C
Humidity	5% to 95%
Display types:	200mm 4 digit red LED See separate LD-TMR brochures for other display sizes
Power supply:	See order code table (type is factory configured)
Power usage:	AC supply 15VA max, DC supply typically 1.3A at 24VDC for LED displays (plus current for sensor if on board supply is used)
Outputs (standard):	2 x relays, form C, rated at 240VAC, 5A resistive
Outputs (optional):	See order code table (type is factory configured)
Relay action:	Programmable N.O. or N.C.
Environmental rating:	IP65
Weight:	13kg
Dimensions:	850 x 360 x 155mm

## Optional shrouds

Shroud kits for 200mm displays are made from a single piece of powder coated zinc coated steel to match the metal enclosures.

The overhang of the shroud is 150mm.



LDTMR200-3.0-0

---

**AMALGAMATED INSTRUMENT CO PTY LTD**

ACN: 001 589 439

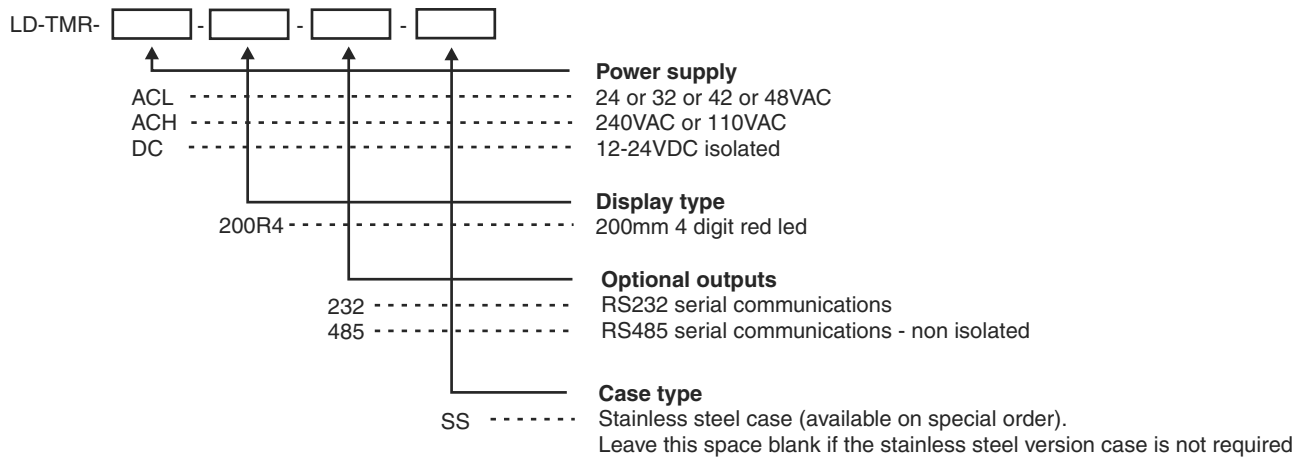
Unit 5, 28 Leighton Place Hornsby  
NSW 2077 Australia

Telephone: +61 2 9476 2244  
Facsimile: +61 2 9476 2902

e-mail: [sales@aicpl.com.au](mailto:sales@aicpl.com.au)  
Internet: [www.aicpl.com.au](http://www.aicpl.com.au)

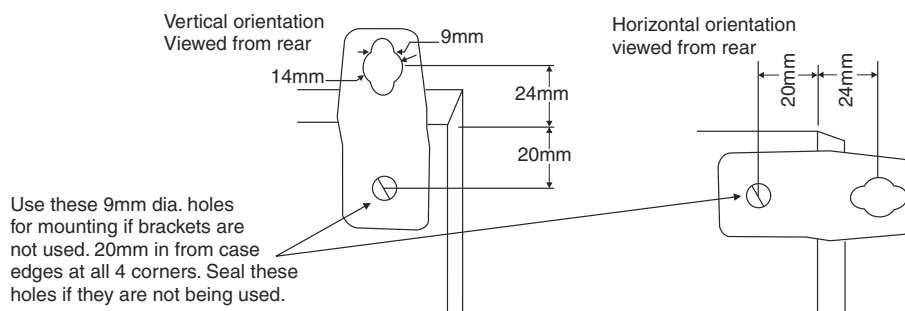
## LD-TMR order codes for 200mm displays

The last two sections are for optional items (if required).  
Optional outputs are factory configured.



## Mounting brackets

The 200mm models are shipped with 4 metal brackets and mounting hardware.  
The diagrams illustrate vertical and horizontal installation of these brackets. If mounting without the brackets, then the 9mm diameter case holes provided for the brackets can be used as alternative mounting holes. If the brackets are not used in mounting, then these holes should be sealed against dust and water.



## Applications/input types available with large digit display models

- Analog input, process transmitters etc.  $\pm 20\text{mA}$ , 4-20mA or  $\pm 2.5\text{VDC}$ ,  $\pm 25\text{VDC}$ , slidewire
- Pulse input, rate, total, count, grand total (encoders, switches, proximity sensors etc.)
- Temperature - RTD, thermocouple, 4-20mA
- Weighing - 4 or 6 wire mV/V output loadcells
- Pressure measurement - 4 or 6 wire mV/V pressure sensors or 4-20mA analog transducers
- Liquid level measurement - 4 or 6 wire mV/V pressure sensors or 4-20mA analog transducers
- Serial input - RS232, RS485, Serial current loop for slave displays etc.
- Synchronous Serial Interface (SSI) for high accuracy position etc. measurement
- Binary, BCD or Gray Code input
- Real Time clock with alarms
- Multifunction timer - elapsed time, stopwatch, run time etc.

LDTMR200-3.0-0

**AMALGAMATED INSTRUMENT CO PTY LTD**

ACN: 001 589 439

Unit 5, 28 Leighton Place Hornsby  
NSW 2077 Australia

Telephone: +61 2 9476 2244  
Facsimile: +61 2 9476 2902

e-mail: sales@aicpl.com.au  
Internet: www.aicpl.com.au