

Large digit displays - 38, 45 or 57mm digit height models

LD-TM Universal temperature display

The LD-TM with the 38, 45 & 57mm displays are ideal for applications where temperature needs to be visible from a distance. Foundries, smelters, cold rooms, swimming pools and greenhouses are just some of the possible applications. Input from Pt100 or Pt1000 temperature sensors, thermocouple (8 types selectable), 4-20mA, DC mV or DC Volts makes the LD-TM very flexible.

Displays



6 digit 38mm high LED (visibility to 18m)



5 digit 45mm high LED (visibility to 20m)

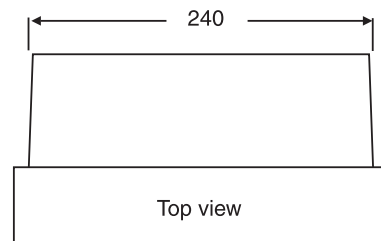
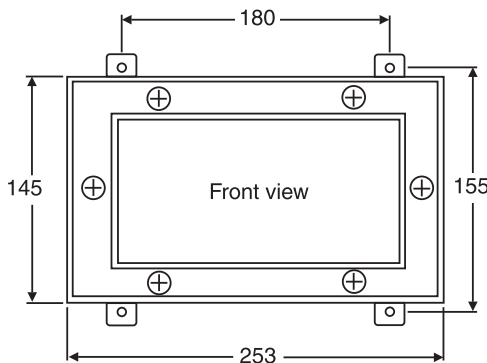


4 digit 57mm high LED (visibility to 25m)

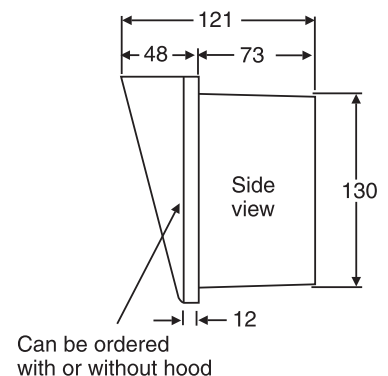


Features

- Temperature display from RTD or thermocouple
- Temperature display from 4-20mA or DC Volts transmitters
- Direct mV input with up to 5 linearisation points for uncommon or non standard mV output sensors
- 6 x 38mm LED - visibility rating to 18m
- 5 x 45mm LED - visibility rating to 20m
- 4 x 57mm LED - visibility rating to 25m
- IP65 rated wall mount enclosure
- Dual 4-20mA analog retransmission model available, the first analog output can be configured for retransmission or PI control
- 4 configurable setpoint relays rated at 240VAC, 5A into a resistive load, form C. Relays 1 & 2 can be set for alarm or PI control operation
- Panel mount kit available
- Pushbutton setup and calibration, display can be scaled without special tools
- 2 calibration memories can be stored
- 3 configurable remote inputs as standard
- Remote inputs can be configured to one of a wide range of functions e.g. display hold, peak hold, etc.
- Programmable digital filter
- RS232 or RS485 serial communications optionally available
- Inbuilt data logger optionally available
- The auto-brightness feature for LED displays varies the display brightness to suit the ambient light
- 2 year guarantee
- See separate brochures for 100mm and 200mm display models



All dimensions in mm



LDTM384557-3.5-0

AMALGAMATED INSTRUMENT CO PTY LTD

ACN: 001 589 439

Unit 5, 28 Leighton Place Hornsby
NSW 2077 Australia

Telephone: +61 2 9476 2244
Facsimile: +61 2 9476 2902

e-mail: sales@aicpl.com.au
Internet: www.aicpl.com.au

Specifications

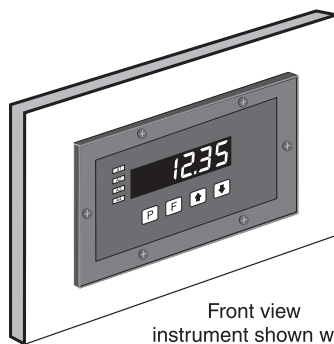
Input:	Pt100 or Pt1000 RTD sensors Type B, E, J, K, N, R, S or T thermocouples 4-20mA, $\pm 20\text{mA}$, $\pm 2.5\text{VDC}$ or $\pm 25\text{VDC}$ analog signals DC mV input $\pm 20\text{mV}$, $\pm 50\text{mV}$, $\pm 75\text{mV}$ or $\pm 200\text{mV}$ ranges
Accuracy:	RTD, 4-20mA, $\pm 20\text{mA}$, DC V, DC mV 0.1% when calibrated Thermocouples 0.1% $\pm 1^\circ$
ADC resolution	16 bit
Display update:	4-20mA, DCV & DCmV 4 samples/second RTD, 2 samples/second Thermocouple, 1 sample/second
Microprocessor:	MC68HC11 CMOS
Ambient temp:	LED models -10°C to 60°C
Humidity:	5% to 95% non condensing
Display types:	38mm 6 digit red LED with alarm annunciators and 4 way keypad 45mm 5 digit red LED with alarm annunciators and 4 way keypad 57mm 4 digit red LED See separate LD-TM brochures for other display sizes
Power supply:	See order code table (type is factory configured)
Power usage:	AC supply 15VA max, DC supply typically 100mA at 24VDC for 38 & 45mm, 250mA at 24VDC for 57mm for instrument with no output options
Outputs (standard):	4 x relays, form c, rated at 240VAC, 5A resistive
Outputs (optional):	See order code table (type is factory configured)
Relay action:	Programmable N.O. or N.C.
Environmental rating:	IP65
Weight:	1.3 kg
Dimensions:	See front page

Panel mounting

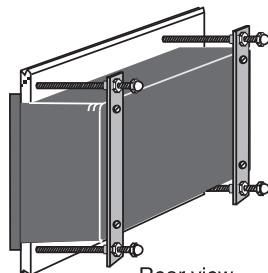
The instrument is provided with removable surface (e.g.wall) mounting tabs mounting. A panel mount kit is optionally available which allows the instrument to be mounted via a panel cut out. If required the instrument can be optionally supplied with the front hood removed to allow a more flush panel mount fitting.

Part number for panel mount kit: LD-MTG-PM-KIT

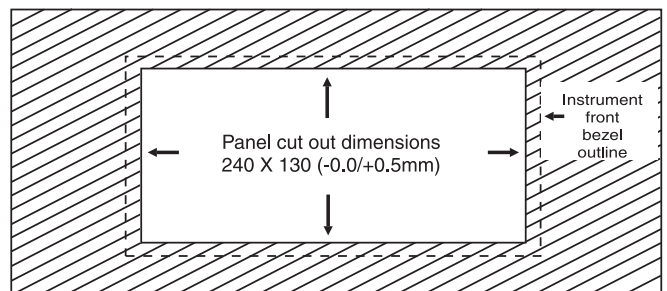
Part number for hood removal: LD-HOOD-REMOVAL



Front view
instrument shown with
optional case hood removed
case for flush mounting



Rear view
showing optional
panel mount brackets
and screws



LDTM384557-3.5-0

AMALGAMATED INSTRUMENT CO PTY LTD

ACN: 001 589 439

Unit 5, 28 Leighton Place Hornsby
NSW 2077 Australia

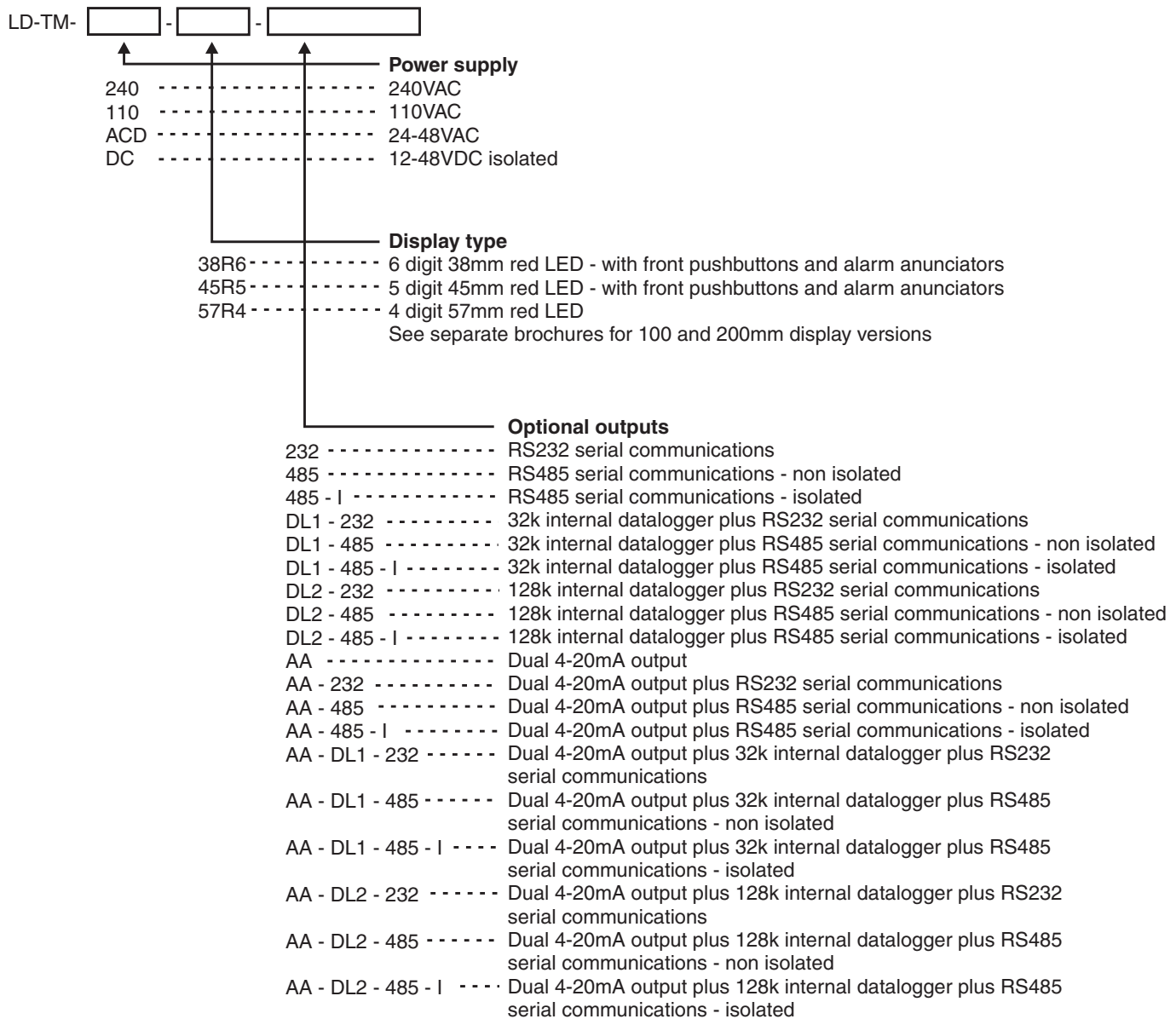
Telephone: +61 2 9476 2244
Facsimile: +61 2 9476 2902

e-mail: sales@aicpl.com.au
Internet: www.aicpl.com.au

LD-TM order codes for 38, 45 or 57mm displays

The last section is for optional outputs (if required).

Optional outputs are factory configured. Analog outputs cannot be retrofitted.



Applications/input types available with large digit display models

- Analog input, process transmitters etc. $\pm 20\text{mA}$, 4-20mA or $\pm 2.5\text{VDC}$, $\pm 25\text{VDC}$, slidewire
- Pulse input, rate, total, count, grand total (encoders, switches, proximity sensors etc.)
- Temperature - RTD, thermocouple, 4-20mA
- Weighing - 4 or 6 wire mV/V output loadcells
- Pressure measurement - 4 or 6 wire mV/V pressure sensors or 4-20mA analog transducers
- Liquid level measurement - 4 or 6 wire mV/V pressure sensors or 4-20mA analog transducers
- Serial input - RS232, RS485, Serial current loop for slave displays etc.
- Synchronous Serial Interface (SSI) for high accuracy position etc. measurement
- Binary, BCD or Gray Code input
- Real Time clock with alarms
- Multifunction timer - elapsed time, stopwatch, run time etc.

LDTM384557-3.5-0

AMALGAMATED INSTRUMENT CO PTY LTD

ACN: 001 589 439

Unit 5, 28 Leighton Place Hornsby
NSW 2077 Australia

Telephone: +61 2 9476 2244
Facsimile: +61 2 9476 2902

e-mail: sales@aicpl.com.au
Internet: www.aicpl.com.au