

Large Digit Display – 39mm “flip” display LD-232, 485, CL for serial input



Features

- 4 or 6 x 39mm “flip”
- visibility rating to 18m
- Models for RS232, RS485 or 20mA serial current loop (ASCII or Modbus RTU)
- Arithmetic mode - allows arithmetic operation from up to 4 sources of same manufacture
- Selectable 300 to 38400 baud rate
- Selectable odd, even or no parity
- Selectable 7 or 8 bit data
- One, two or three address characters, allows multiple displays to be connected using RS485 with different values sent to displays with different addresses
- Flexible setup, allows display from a wide range of sources
- High brightness LED or electromagnetic display type options
- Automatic or user selectable decimal point position (LED displays only)
- Pushbutton setup
- Two alarm/control relay outputs (5A). The relays can be configured with high and/or low trip points and for normally open or normally closed operation
- Trailing alarm mode, allows second relay to trail first relay by a programmable amount
- Rugged, weatherproof, IP65 rated housing
- Remote input to perform special functions e.g. high/low memory, peak hold, display hold, tare, zero, setpoint only access or security lockout
- 2 year guarantee

Description

The LD-232, 485 and CL range of large digit displays is designed for use with a serial input. The instruments can be configured recognise and edit a data stream to ignore unwanted information (start of text, end of text, byte count data etc).

Setup of the instrument is achieved without the use of special tools.

Some jumpers are set within the instrument to define the input type but calibration, alarm settings, decimal point etc are all carried out using the push buttons on the main board of the instrument

Applications

The LD-232, LD-485 and LD-CL with the 39mm “flip” digit displays will be ideal for applications where a display must be visible up to a distance of 18m.

The displays can be used wherever a serial signal is available and offers the capability of displaying numeric characters and a range of alpha characters and special characters limited by the flexibility of a 7 segment display.



LDSERL39-2.3-0

AMALGAMATED INSTRUMENT CO PTY LTD

ACN: 001 589 439

Unit 5, 28 Leighton Place Hornsby
NSW 2077 Australia

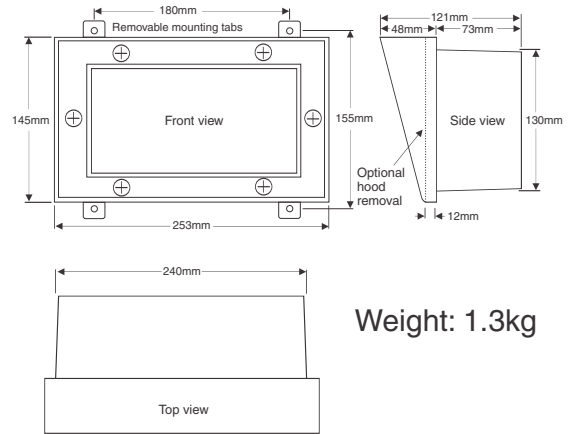
Telephone: +61 2 9476 2244
Facsimile: +61 2 9476 2902

e-mail: sales@aicpl.com.au
Internet: www.aicpl.com.au

Technical Specifications

Input types	RS232, RS485 or 20mA serial current loop models available (input type is factory configured)
Baud rate	300, 600, 1200, 2400, 4800, 9600, 19200 or 38400 baud (programmable)
Microprocessor	MC68HC11 CMOS
Ambient temperature	-10°C to 60°C
Humidity	5% to 95%
Outputs	2 x setpoint relays, form A, rated 5A at 240VAC (resistive load)
Power Supply	See order code table (type is factory configured)
Power Consumption	AC supply: 15VA max, DC supply: depends on supply voltage, typically 500mA (2A peak) for 24VDC using non isolated DC supply

Dimensions

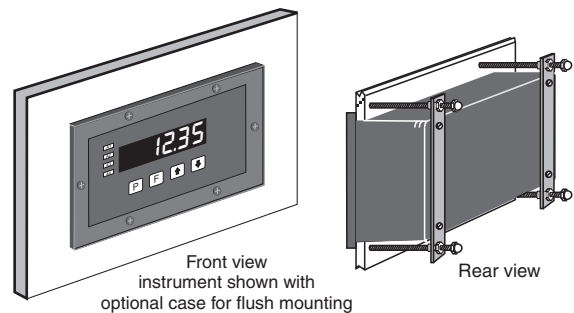


Weight: 1.3kg

Order Codes

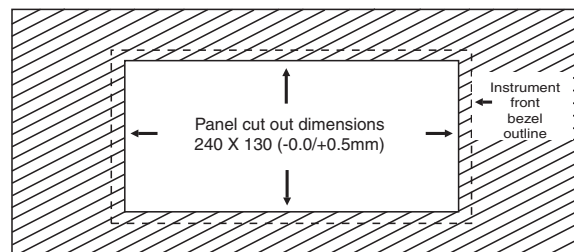
Order Code	Display	Supply Voltage
NOTE: XXX below represents the input type		
For RS232 input specify LD-232,		
For RS485 input specify LD-485		
For 20mA current loop input specify LD-CL		
LD-XXX-240-39E4	4 digit 39mm	240VAC
LD-XXX-110-39E4	4 digit 39mm	110VAC
LD-XXX-DCN-39E4	4 digit 39mm	24VDC non isolated
LD-XXX-DC-39E4	4 digit 39mm	12-48VDC isolated
LD-XXX-240-39E6	6 digit 39mm	240VAC
LD-XXX-110-39E6	6 digit 39mm	110VAC
LD-XXX-DCN-39E6	6 digit 39mm	24VDC non isolated
LD-XXX-DC-39E6	6 digit 39mm	12-48VDC isolated

Panel Mounting Options

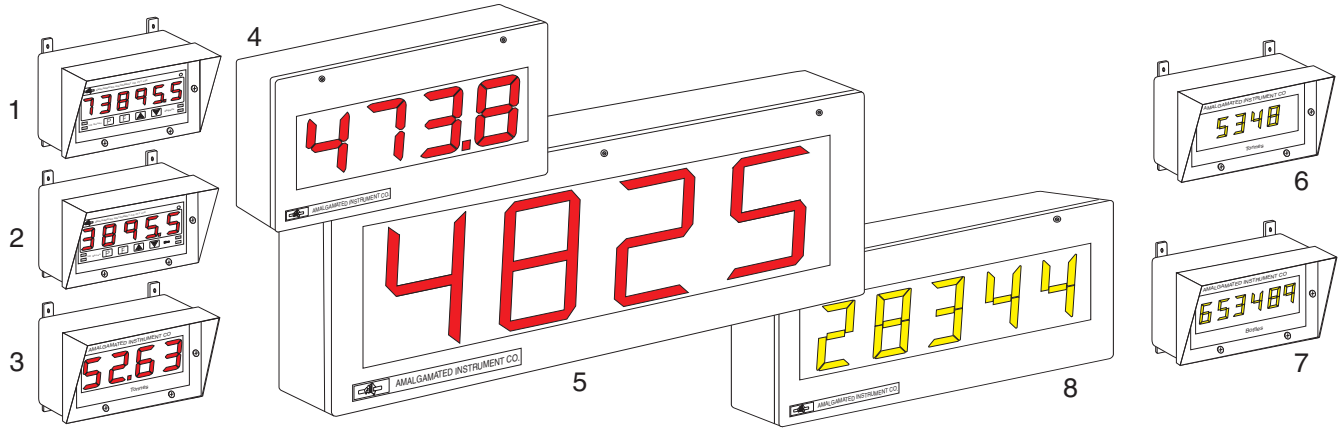


Options

Option Code	Description
LD-MTG-PM-KIT	Panel mount kit incl brackets & screws
LD-HOOD-REMOVAL	Front hood removal



Displays available in Large Digit Series



No.	LED digit size	No of digits	No.	"FLIP" digit size	No of digits
1	38mm (1.5")	6	6	39mm (1.5") - selected models	4
2	45mm (1.8")	5	7	39mm (1.5") - selected models	6
3	57mm (2.3")	4	8	100mm (4")	4, 5 and 6
4	100mm (4")	4 and 6	Other sizes and styles of display are under development		
5	200mm (8")	4			

Applications/input types available with large digit display models

- Analog input, process transmitters etc. $\pm 20\text{mA}$, 4-20mA or $\pm 2.5\text{VDC}$ or $\pm 25\text{VDC}$
- Pulse input, rate, total, count, grand total (encoders, switches, proximity sensors etc.)
- Temperature - RTD, thermocouple, 4-20mA
- Weighing - 4 or 6 wire mV/V output loadcells
- Pressure measurement - 4 or 6 wire mV/V pressure sensors or 4-20mA analog transducers
- Liquid level measurement - 4 or 6 wire mV/V pressure sensors or 4-20mA analog transducers
- Serial input - RS232, RS485, Serial current loop for slave displays etc.
- Synchronous Serial Interface (SSI) for high accuracy position etc. measurement
- Binary, BCD or Gray Code input
- Real Time clock with alarms
- Multifunction timer - elapsed time, stopwatch, run time etc.