

Large digit displays - 38, 45 or 57mm digit height models

LD-232, 485, CL for serial input

The LD-232, LD-485 and LD-CL with the 38mm, 45mm & 57mm displays will be ideal for applications where a display must be seen. The displays can be used wherever a serial signal is available and offers the capability of displaying numeric characters and a range of alpha characters and special characters limited by the flexibility of a 7 segment display.

Displays



6 digit 38mm high LED (visibility to 18m)



5 digit 45mm high LED (visibility to 20m)

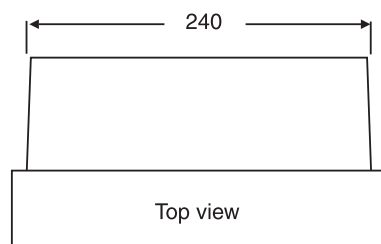
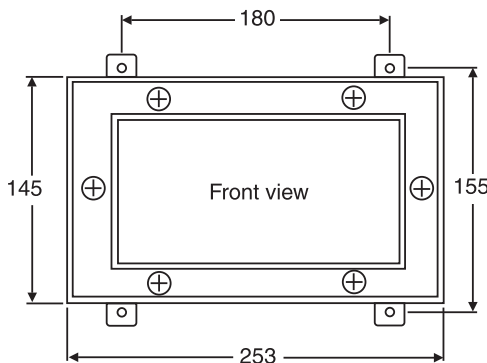


4 digit 57mm high LED (visibility to 25m)

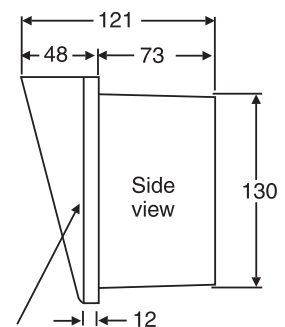


Features

- Models for RS232, RS485 or 20mA serial current loop (ASCII or Modbus RTU)
- Arithmetic mode - allows arithmetic operation from up to 4 sources of same manufacture as the LD display
- Scanning mode, allows input from up to 8 sources of same manufacture as the LD display
- 6 x 38mm LED - visibility rating to 18m
- 5 x 45mm LED - visibility rating to 20m
- 4 x 57mm LED - visibility rating to 25m
- Flexible setup, allows display from a wide range of sources
- IP65 rated wall mount enclosure
- One, two or three address characters, allows selection of which display receives the message when multiple displays are connected using RS485
- Automatic or user selectable decimal point position
- 2 configurable setpoint relays standard rated at 240VAC, 5A into a resistive load, form A
- Panel mount kit available
- Pushbutton setup
- Remote input can be configured to one of a wide range of functions including zero, tare, peak hold, etc.
- The auto-brightness feature for LED displays varies the display brightness to suit the ambient light
- 2 year guarantee
- See separate brochures for 39mm flip digit, 100mm LED and flip digit and 200mm display models



All dimensions in mm



Can be ordered with or without hood

LDSERL384557-3.4-0

AMALGAMATED INSTRUMENT CO PTY LTD

ACN: 001 589 439

Unit 5, 28 Leighton Place Hornsby
NSW 2077 Australia

Telephone: +61 2 9476 2244
Facsimile: +61 2 9476 2902

e-mail: sales@aicpl.com.au
Internet: www.aicpl.com.au

Specifications

Input:	RS232, RS485 or 20mA serial current loop models available (input type is factory configured)
Baud rate	300, 600, 1200, 2400, 4800, 9600, 19200 or 38400 baud (programmable)
Microprocessor:	MC68HC11 CMOS
Ambient temp:	LED models -10°C to 60°C
Humidity:	5% to 95% non condensing
Display types:	38mm 6 digit red LED with alarm annunciators and 4 way keypad 45mm 5 digit red LED with alarm annunciators and 4 way keypad 57mm 4 digit red LED See separate brochures for other display sizes
Power supply:	See order code table (type is factory configured)
Power usage:	AC supply 15VA max, DC supply typically 250mA at 24VDC (57mm display) DC supply typically 100mA at 24VDC (38 & 45mm displays)
Outputs (standard):	2 x relays, form A, rated at 240VAC, 5A resistive
Outputs (optional):	See order code table (type is factory configured)
Relay action:	Programmable N.O. or N.C.
Environmental rating:	IP65
Weight:	1.3 kg
Dimensions:	See front page

Compatibility

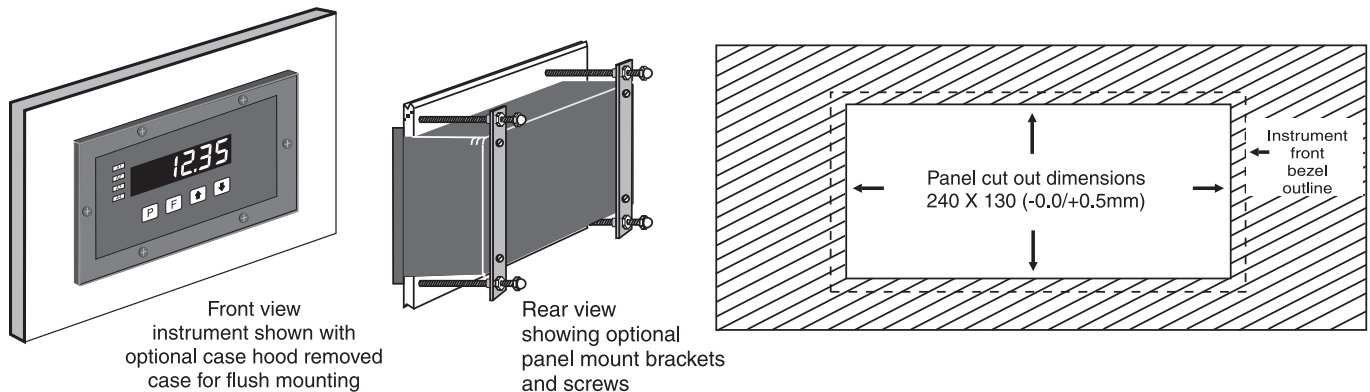
The LD serial input displays are designed to be flexible in operation and will accept inputs from most serial strings where there is a consistent format. Setup functions allow matching of baud rate, parity, and number of data bits. Other setup functions allow the display to ignore characters before or after the required display value in suitable input strings in order to extract the required display value from the input string.

Panel mounting

The instrument is provided with removable surface (e.g.wall) mounting tabs mounting. A panel mount kit is optionally available which allows the instrument to be mounted via a panel cut out. If required the instrument can be optionally supplied with the front hood removed to allow a more flush panel mount fitting.

Part number for panel mount kit: LD-MTG-PM-KIT

Part number for hood removal: LD-HOOD-REMOVAL



LDSERL384557-3.4-0

AMALGAMATED INSTRUMENT CO PTY LTD

ACN: 001 589 439

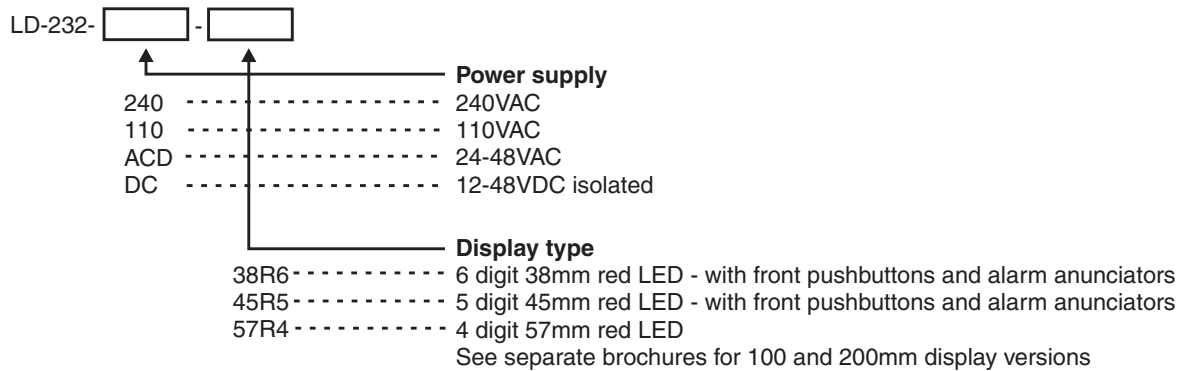
Unit 5, 28 Leighton Place Hornsby
NSW 2077 Australia

Telephone: +61 2 9476 2244
Facsimile: +61 2 9476 2902

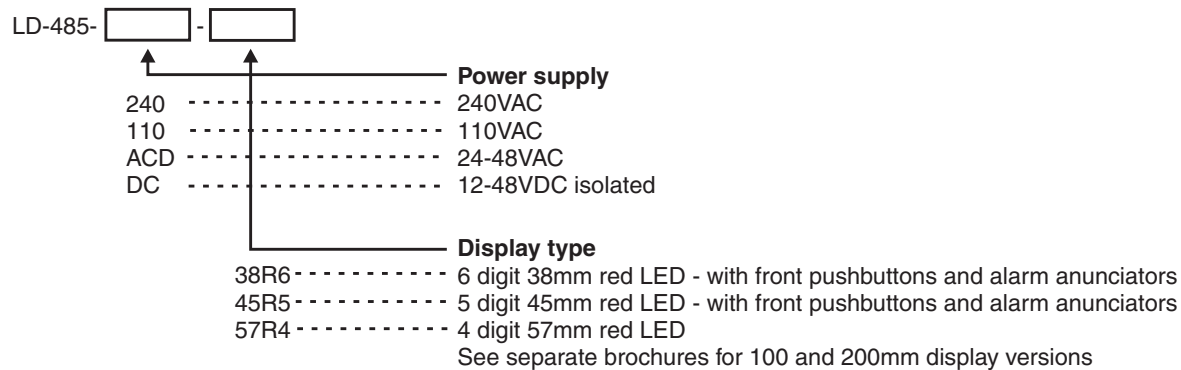
e-mail: sales@aicpl.com.au
Internet: www.aicpl.com.au

Order codes for serial input 38, 45 or 57mm displays

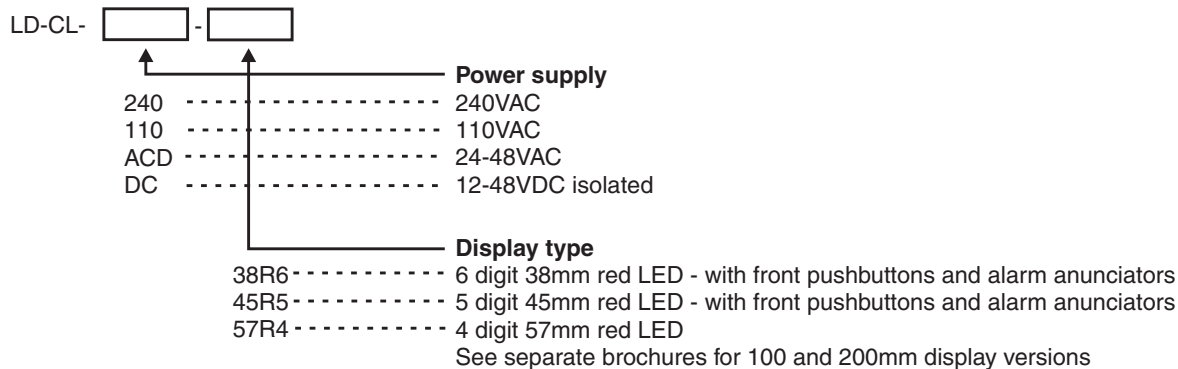
RS232 input



RS485 input



Serial current loop input



Applications/input types available with large digit display models

- Analog input, process transmitters etc. $\pm 20\text{mA}$, 4-20mA or $\pm 2.5\text{VDC}$, $\pm 25\text{VDC}$, slidewire
- Pulse input, rate, total, count, grand total (encoders, switches, proximity sensors etc.)
- Temperature - RTD, thermocouple, 4-20mA
- Weighing - 4 or 6 wire mV/V output loadcells
- Pressure measurement - 4 or 6 wire mV/V pressure sensors or 4-20mA analog transducers
- Liquid level measurement - 4 or 6 wire mV/V pressure sensors or 4-20mA analog transducers
- Serial input - RS232, RS485, Serial current loop for slave displays etc.
- Synchronous Serial Interface (SSI) for high accuracy position etc. measurement
- Binary, BCD or Gray Code input
- Real Time clock with alarms
- Multifunction timer - elapsed time, stopwatch, run time etc.

LDSERL384557-3.4-0

AMALGAMATED INSTRUMENT CO PTY LTD

ACN: 001 589 439

Unit 5, 28 Leighton Place Hornsby
NSW 2077 Australia

Telephone: +61 2 9476 2244
Facsimile: +61 2 9476 2902

e-mail: sales@aicpl.com.au
Internet: www.aicpl.com.au