

Large Digit Display – 39mm height “flip” digit LD-RTC Real Time Clock



Features

- 4 or 6 digit display, visibility 18m
- 12 hour, 24 hour or month and day display
- Internal clock chip or 50Hz or 60Hz mains, optional high accuracy crystal or optional GPS synchronisation
- Pushbutton scaling and setup
- Two alarm relays supplied as standard
- Relays can be set for day/time switch on and duration operation and for normally open or normally closed operation. Each relay can be allocated more than one alarm period (up to 32 total alarm periods can be set).
- Remote input to perform special functions e.g. setpoint only access or security lockout.
- Rugged, weatherproof, IP65 rated housing
- 2 year guarantee
- Master/slave operation using optional serial communications
- Special version available to accept temperature sensor input for temperature/time alternating display

Description

This instrument may be used as a 12 or 24 hour clock or may be set to display day/month/year. For example on a 6 digit display a total of seven display options are available, these are:

- month.day.year
- day.month.year
- hours.min.secs
- month.day
- day.month
- days
- hours.minutes

Clock synchronisation can be set to be from either the unit's internal clock generator, the 50Hz mains frequency, the 60Hz mains frequency, an optional high accuracy 10MHz crystal or optional GPS satellite receiver.

The 39mm “flip” displays are housed in rugged, IP65 rated, UV stabilised ASA enclosures.



Applications

The LD-RTC with the 39mm display is an ideal real time clock display where the time needs to be seen from to 18m in high ambient light conditions. The display suits outdoor applications where a distributed time display is necessary. Applications could include docks, loading bays, playing fields, commercial swimming pools and many others.

LDRTC39-2.2-0

AMALGAMATED INSTRUMENT CO PTY LTD

ACN: 001 589 439

Unit 5, 28 Leighton Place Hornsby
NSW 2077 Australia

Telephone: +61 2 9476 2244
Facsimile: +61 2 9476 2902

e-mail: sales@aicpl.com.au
Internet: www.aicpl.com.au

Technical Specifications

Function:	Real time clock
Display modes:	12 or 24 hour clock, date or number of days display
Clock sync:	50Hz mains, 60Hz mains, internal clock reference optional high accuracy crystal or optional GPS satellite synchronisation
Retention:	Display will blank during periods of no power - battery backed clock chip keeps time during these periods
Accuracy:	50 or 60Hz mains sync. - accurate to mains Internal clock chip - ± 30 seconds per month Optional high accuracy crystal - ± 3 seconds per month GPS - accurate to GPS system ± 0.1 sec
Microprocessor	MC68HC11 CMOS
Ambient temperature	-10°C to 60°C
Humidity	5% to 95%
Outputs	2 x setpoint relays, form A, rated 5A at 240VAC (resistive load)
Power Supply	See order code table (type is factory configured)
Power Consumption	AC supply: 15VA max, DC supply: depends on supply voltage, typically 500mA (2A peak) for 24VDC using non isolated DC supply

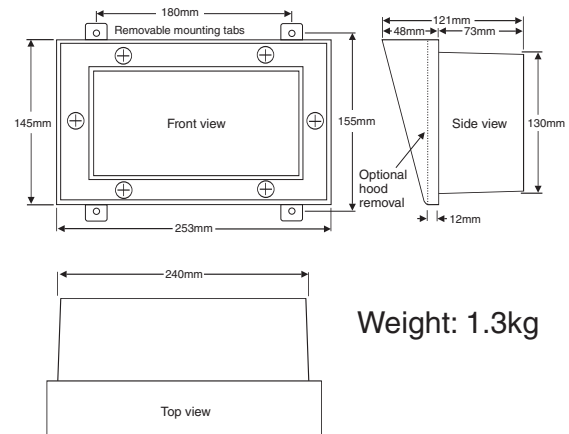
Order Codes

Order Code	Display	Supply Voltage
LD-RTC-240-39E4	4 x 39mm "flip"	240VAC
LD-RTC-110-39E4	4 x 39mm "flip"	110VAC
LD-RTC-DCN-39E4	4 x 39mm "flip"	12-24VDC non isolated
LD-RTC-DC-39E4	4 x 39mm "flip"	12-48VDC isolated
LD-RTC-240-39E6	6 x 39mm "flip"	240VAC
LD-RTC-110-39E6	6 x 39mm "flip"	110VAC
LD-RTC-DCN-39E6	6 x 39mm "flip"	12-24VDC non isolated
LD-RTC-DC-39E6	6 x 39mm "flip"	12-48VDC isolated

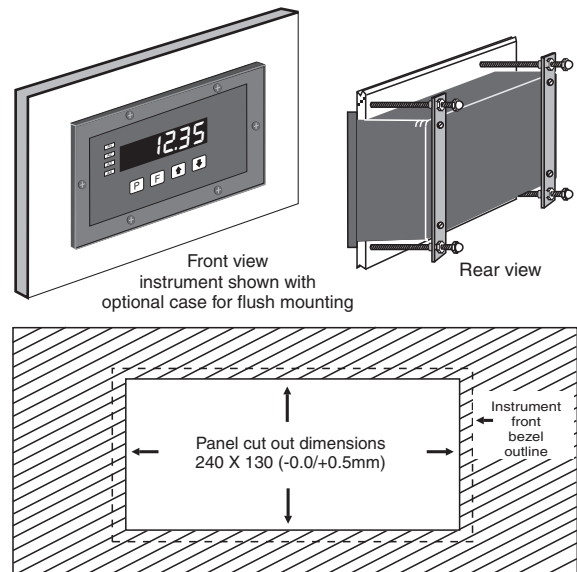
Options

Option Code	Description
LD-OPT-TR-232	RS232 serial comms, non-isolated
LD-OPT-TR-485	RS485 serial comms, non-isolated
LD-OPT-CLK1	High accuracy crystal
LD-OPT-GPS-1	GPS high accuracy time synchronisation
LD-MTG-PM-KIT	Panel mount kit incl brackets & screws
LD-HOOD-REMOVAL	Front hood removal

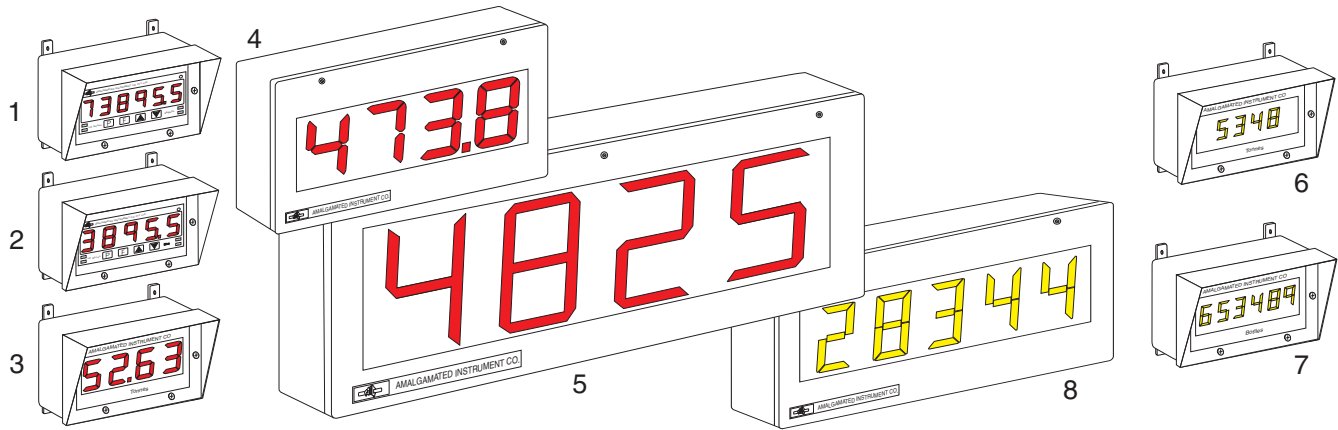
Dimensions



Panel Mounting Options



Displays available in Large Digit Series



No.	LED digit size	No of digits	No.	"FLIP" digit size	No of digits
1	38mm (1.5")	6	6	39mm (1.5") - selected models	4
2	45mm (1.8")	5	7	39mm (1.5") - selected models	6
3	57mm (2.3")	4	8	100mm (4")	4, 5 and 6
4	100mm (4")	4 and 6	Other sizes and styles of display are under development		
5	200mm (8")	4			

Other applications available with large digit displays

- Analog input, process transmitters etc.
4-20mA, 0-1VDC, 0-10VDC, slidewire
- Rate, total, count, grand total from pulse input
- Temperature - RTD, thermocouple, 4-20mA
- Weighing - mV/V ratiometric loadcells
- Pressure measurement - mV/V ratiometric or analog transducers
- Liquid level measurement - mV/V ratiometric or analog transducers
- Serial input - RS232, RS485, Current loop
- Synchronous Serial Interface (SSI)
- Binary, BCD or Gray Code input
- Real Time clock with alarms
- Multifunction timer - elapsed time, stopwatch, etc.
- Time and Temperature