

Large digit displays - 38, 45 or 57mm digit height models

LD-IVT Totaliser/ratemeter - analog input

The LD-IVT with the 38, 45 & 57mm displays are ideal for applications where indications need to be visible from a distance. Typical applications for the LD-IVT would be in flow totalising from analog output flow meters. The display can be toggled from rate to total and either rate or total can be chosen as the default display. The display can be scaled to display in different engineering units such as litres, ML, litres/min etc.

Displays



6 digit 38mm high LED (visibility to 18m)



5 digit 45mm high LED (visibility to 20m)

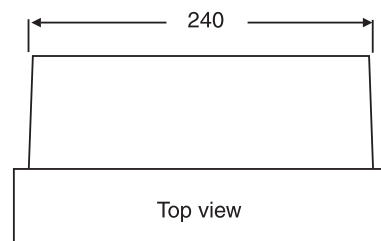
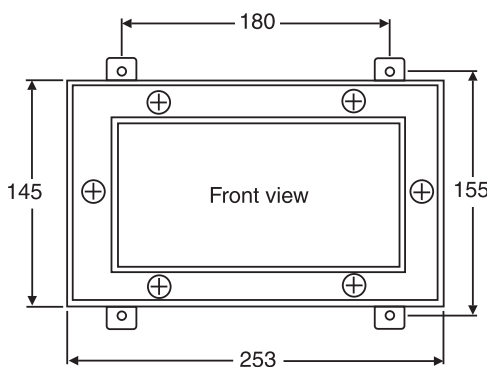


4 digit 57mm high LED (visibility to 25m)

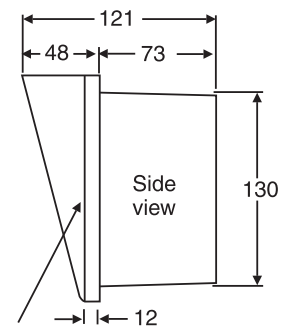


Features

- Integrating Total or Rate display
- $\pm 20\text{mA}$, $4\text{-}20\text{mA}$, $\pm 2.5\text{V}$, $\pm 25\text{V}$ or slidewire input
- 6 x 38mm LED - visibility rating to 18m
- 5 x 45mm LED - visibility rating to 20m
- 4 x 57mm LED - visibility rating to 25m
- Scalable display from analog input (square root extraction selectable)
- IP65 rated wall mount enclosure
- Dual 4-20mA analog retransmission model optional
- 4 configurable setpoint relays rated at 240VAC, 5A into a resistive load, form C. Each relay can be selected for use from either rate or total
- Panel mount kit available
- Pushbutton setup and calibration
- 2 calibration memories can be stored
- 3 configurable remote inputs as standard
- Remote inputs can be configured to one of a wide range of functions including zero, tare, peak hold, etc.
- Transmitter supply 10VDC ($\pm 5\text{VDC}$), 24VDC ($\pm 12\text{VDC}$) standard
- Programmable digital filter
- RS232 or RS485 serial communications optionally available
- Inbuilt data logger optionally available
- The auto-brightness feature for LED displays varies the display brightness to suit the ambient light
- 2 year guarantee
- See separate brochures for 100mm and 200mm display models



All dimensions in mm



Can be ordered with or without hood

LDIVT384557-3.5-0

AMALGAMATED INSTRUMENT CO PTY LTD

ACN: 001 589 439

Unit 5, 28 Leighton Place Hornsby
NSW 2077 Australia

Telephone: +61 2 9476 2244
Facsimile: +61 2 9476 2902

e-mail: sales@aicpl.com.au
Internet: www.aicpl.com.au

Specifications

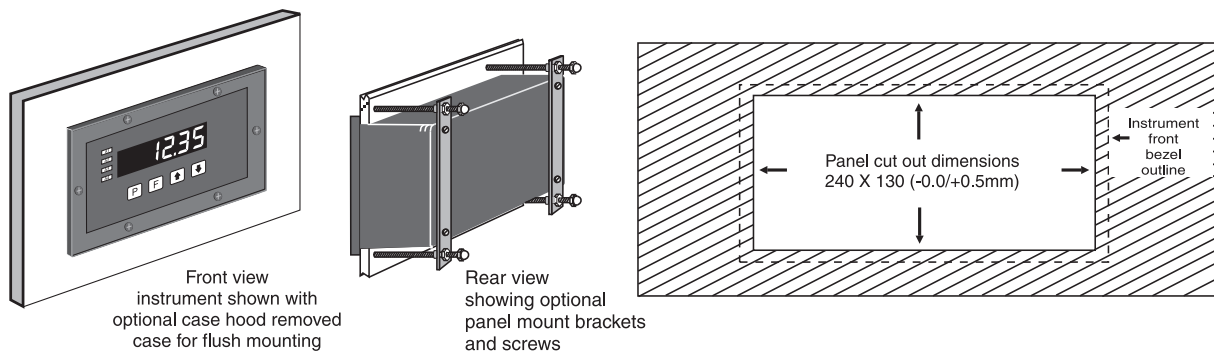
Input:	Link selectable $\pm 20\text{mA}$, $4\text{-}20\text{mA}$ or $\pm 2.5\text{VDC}$, $\pm 25\text{VDC}$ Slidewire: $0\text{-}1\text{k}\Omega$ to $0\text{-}1\text{M}\Omega$ potentiometer
Accuracy:	Better than 0.1% when calibrated
Sample rate:	5 samples/second
Memory retention	Total held in memory for 10 years with power removed
ADC resolution:	1 in 32,000
ADC conversion:	Sigma delta
Microprocessor:	MC68HC11 CMOS
Ambient temp:	LED models -10°C to 60°C
Humidity:	5% to 95% non condensing
Display types:	38mm 6 digit red LED with alarm annunciators and 4 way keypad 45mm 5 digit red LED with alarm annunciators and 4 way keypad 57mm 4 digit red LED See separate LD-IVT brochures for other display sizes
Power supply:	See order code table (type is factory configured)
Power usage:	AC supply 15VA max, DC supply typically 100mA at 24VDC for 38 & 45mm, 250mA at 24VDC for 57mm for instrument with no output options
Outputs (standard):	4 x relays, form c, rated at 240VAC, 5A resistive
Outputs (optional):	See order code table (type is factory configured)
Relay action:	Programmable N.O. or N.C.
Environmental rating:	IP65
Weight:	1.3 kg
Dimensions:	See front page

Panel mounting

The instrument is provided with removable surface (e.g.wall) mounting tabs mounting. A panel mount kit is optionally available which allows the instrument to be mounted in a panel cut out. If required the instrument can be optionally supplied with the front hood removed to allow a more flush panel mount fitting.

Part number for panel mount kit: LD-MTG-PM-KIT

Part number for hood removal: LD-HOOD-REMOVAL



LDIVT384557-3.5-0

AMALGAMATED INSTRUMENT CO PTY LTD

ACN: 001 589 439

Unit 5, 28 Leighton Place Hornsby
NSW 2077 Australia

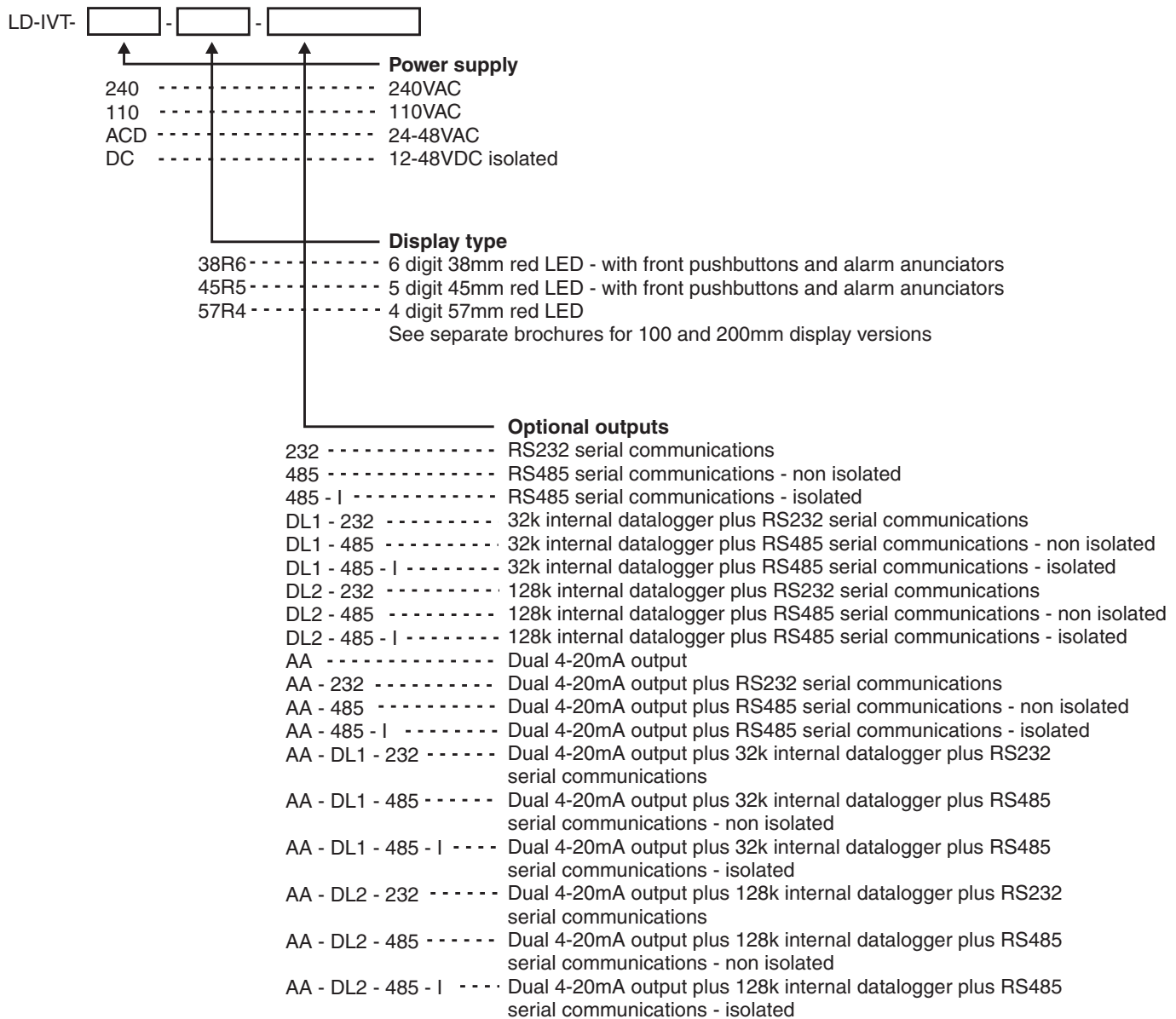
Telephone: +61 2 9476 2244
Facsimile: +61 2 9476 2902

e-mail: sales@aicpl.com.au
Internet: www.aicpl.com.au

LD-IVT order codes for 38, 45 or 57mm displays

The last section is for optional outputs (if required).

Optional outputs are factory configured. Analog outputs cannot be retrofitted.



Applications/input types available with large digit display models

- Analog input, process transmitters etc. $\pm 20\text{mA}$, 4-20mA or $\pm 2.5\text{VDC}$, $\pm 25\text{VDC}$, slidewire
- Pulse input, rate, total, count, grand total (encoders, switches, proximity sensors etc.)
- Temperature - RTD, thermocouple, 4-20mA
- Weighing - 4 or 6 wire mV/V output loadcells
- Pressure measurement - 4 or 6 wire mV/V pressure sensors or 4-20mA analog transducers
- Liquid level measurement - 4 or 6 wire mV/V pressure sensors or 4-20mA analog transducers
- Serial input - RS232, RS485, Serial current loop for slave displays etc.
- Synchronous Serial Interface (SSI) for high accuracy position etc. measurement
- Binary, BCD or Gray Code input
- Real Time clock with alarms
- Multifunction timer - elapsed time, stopwatch, run time etc.

LDIVT384557-3.5-0

AMALGAMATED INSTRUMENT CO PTY LTD

ACN: 001 589 439

Unit 5, 28 Leighton Place Hornsby
NSW 2077 Australia

Telephone: +61 2 9476 2244
Facsimile: +61 2 9476 2902

e-mail: sales@aicpl.com.au
Internet: www.aicpl.com.au