

# Large Digit Display – 20 to 58mm digit height

## LD5-RTT and LE5-RTT Range

### Clock and temperature display

The LD5-RTT and LE5-RTT range of large digit displays are clock displays with the facility to attach a temperature sensor for time and temperature display if required. The length of time the temperature is displayed and the length of time the time is displayed is adjustable by the user. LE5 model versions include Ethernet communications web page. High contrast versions, viewable even in bright sunlight are available in 38mm and 58mm digit height in red, green, amber or white. Clock synchronisation can be set to be from either the units internal clock generator, the 50Hz mains frequency, the 60Hz mains frequency or an optional GPS satellite receiver or NTP (LE5 version only).

#### Displays



6 digit 38mm high red LED (visibility to 18m)



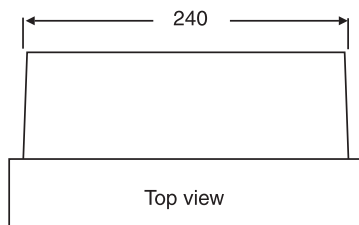
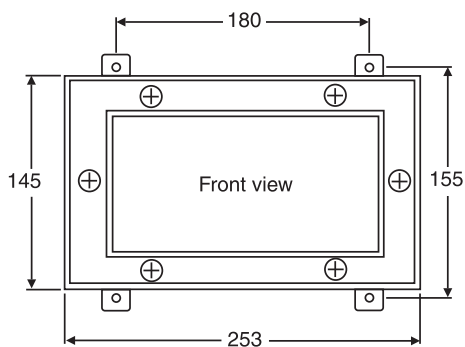
4 digit 57mm high red LED (visibility to 25m)



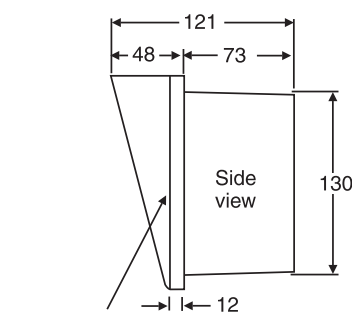
4 digit high contrast 58mm high green LED (visibility to 25m)

#### Features

- 6 x 20mm LED - visibility rating to 10m
- 6 x 38mm LED - visibility rating to 18m
- 5 x 45mm LED - visibility rating to 20m
- 4 x 57mm or 58mm LED - visibility rating to 25m
- High contrast, daylight viewable 38 or 58mm versions in green, red, amber or white
- IP65 rated wall mount enclosure
- 4 configurable setpoint relays standard rated at 240VAC, 5A into a resistive load
- Panel mount kit available
- Pushbutton setup
- Automatic daylight saving adjustment
- Ethernet with web page in LE5 models
- Isolated RS232/RS485 serial communications optionally available. Both RS232 and RS485 are fitted but only once at a time can be used
- The auto-brightness feature for LED displays varies the display brightness to suit the ambient light
- 2 year guarantee



All dimensions in mm



Can be ordered with or without hood

LD5RTT2058-1.0-0

**AMALGAMATED INSTRUMENT CO**

ABN: 80 619 963 692

Unit 5, 28 Leighton Place Hornsby  
NSW 2077 Australia

Telephone: +61 2 9476 2244  
Facsimile: +61 2 9476 2902

e-mail: sales@aicpl.com.au  
Internet: www.aicpl.com.au

## Specifications

Memory	Battery backed time memory
Display types:	20mm 6 digit red led 38mm 6 digit red, green, amber or white LED with alarm annunciators and 4 way keypad 45mm 5 digit red LED with alarm annunciators and 4 way keypad 57mm 4 digit red or 58mm 4 digit red, green, amber or white LED
Ambient temp:	-10°C to 60°C
Humidity:	5% to 95% non condensing
Power supply:	See order code table (type is factory configured)
Power usage:	AC supply 15VA max, DC supply typically 100mA at 24VDC for 38 & 45mm standard brightness, 250mA at 24VDC for 57mm or 38 & 58mm high contrast
Outputs (standard):	4 x relays, (1 x form C, 3 x form A), rated at 240VAC, 5A resistive
Outputs (optional):	See order code table (type is factory configured)
Relay action:	Set day, switch on time and duration and select relay
Environmental rating:	IP65
Weight:	1.3 kg
Dimensions:	See front page See separate brochures for other display sizes

## Applications/input types available with large digit display models - see individual brochures

- 8 channel scanning, RTD, Thermocouple and 4-20mA/DCV input versions available
- Analog input, process transmitters etc.  $\pm 20\text{mA}$ , 4-20mA or  $\pm 2.5\text{VDC}$  or  $\pm 25\text{VDC}$
- Pulse input, rate, total, count, grand total (encoders, switches, proximity sensors etc.)
- Temperature - RTD, thermocouple, 4-20mA
- Weighing - 4 or 6 wire mV/V output loadcells
- Pressure measurement - 4 or 6 wire mV/V pressure sensors or 4-20mA analog transducers
- Liquid level measurement - 4 or 6 wire mV/V pressure sensors or 4-20mA analog transducers
- Serial input - RS232, RS485 for slave displays etc.
- Synchronous Serial Interface (SSI) for high accuracy position etc. measurement
- Binary, BCD or Gray Code input
- Real Time clock with alarms
- Multifunction timer - elapsed time, stopwatch, run time etc.

LD5RTT2058-1.0-0

---

**AMALGAMATED INSTRUMENT CO**

ABN: 80 619 963 692

Unit 5, 28 Leighton Place Hornsby  
NSW 2077 Australia

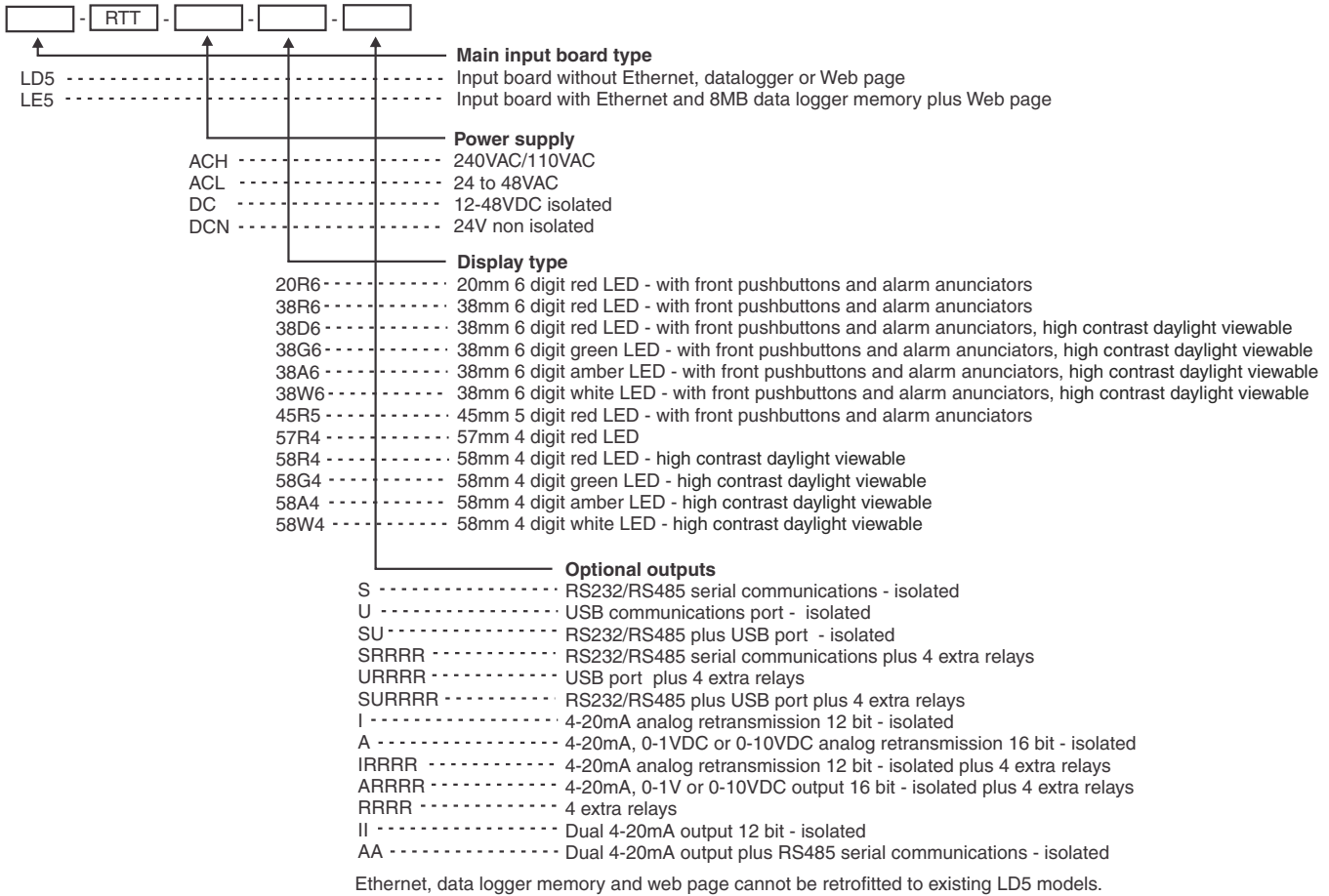
Telephone: +61 2 9476 2244  
Facsimile: +61 2 9476 2902

e-mail: sales@aicpl.com.au  
Internet: www.aicpl.com.au

## Order codes for 20, 38, 45, 57 or 58mm displays

The last section is for optional outputs (if required).

Optional outputs are factory configured.

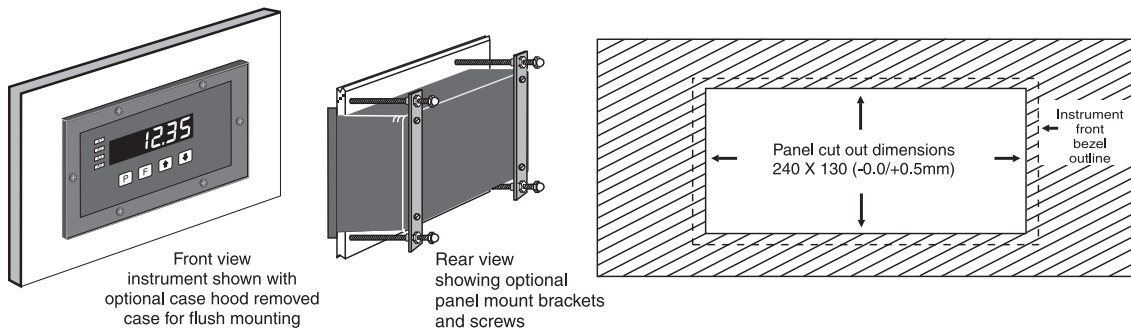


## Panel mounting

The instrument is provided with removable surface (e.g.wall) mounting tabs mounting to cover most common timing requirements. A panel mount kit is optionally available which allows the instrument to be mounted in a panel cut out. If required the instrument can be optionally supplied with the front hood removed to allow a more flush panel mount fitting.

Part number for panel mount kit: LD-MTG-PM-KIT

Part number for hood removal: LD-HOOD-REMOVAL



LD5RTT2058-1.0-0