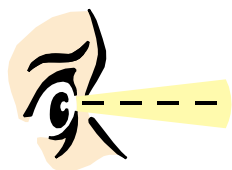


57mm Red LED - Large Digit Displays



Viewing distance
up to 25 metres



Analog Input Models

- DC Analog Input:
 - Process 4-20mA/0-100mV ... 0-100V or slidewire
 - Totaliser 4-20mA/0-100mV ... 0-100V
 - Lineariser 4-20mA/0-100mV ... 0-100V
- Load cell/pressure sensor, 4 or wire type
- Temperature
 - RTD Pt100 or Pt1000
 - Thermocouple B, E, J, K, N, R, S or T
- AC Amps 0-1 ... 0-5A True RMS (via CT)
- AC Volts 0-1 ... 0-250VAC True RMS

Digital Input Models

- Pulse Input - Ratemeter/Totaliser
- Serial Data Input
 - RS232
 - RS485
 - Serial current loop
- Real Time Clock
- Timer (switch, pulse input)

NOTE:

Please refer to individual datasheets for specifications for each input type



Features

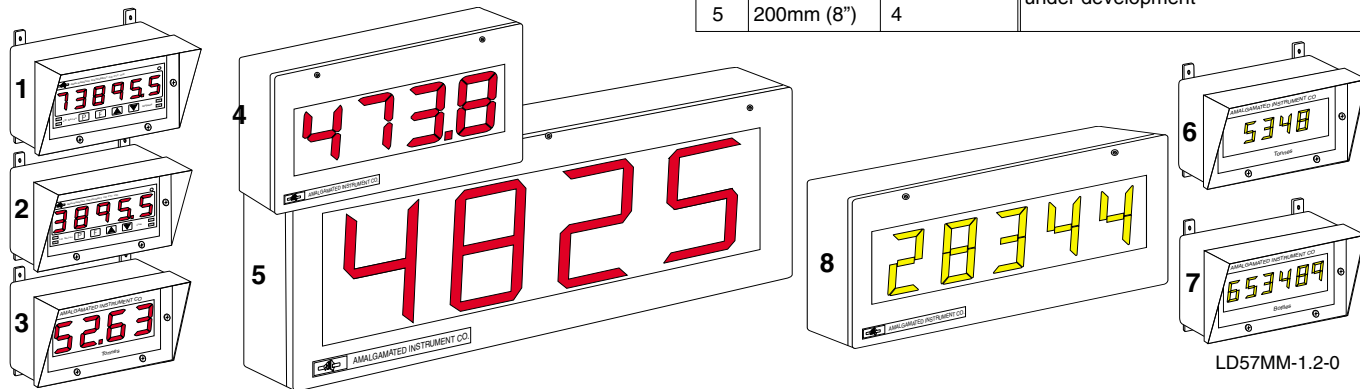
- IP65 rated environmental enclosure
- High brightness 57mm (2.3") LED display
- Easy Calibration & Setup - no test equipment needed
- Setpoint Relays
 - 2 relays (all models)
 - 4 relays (selected models)
- Power supply
 - AC - 240, 110, 48, 42, 32 and 24
 - DC12-48V (isolated)
- Sensor supply included (where applicable)

Options - check availability for particular models

- Analog retransmission (isolated)
 - Single 4-20mA/DCV output
 - Dual 4-20mA/DCV output (selected models)
- RS232 or RS485 retransmission
- Datalogger - 32K, 128K or 512K with software
- Remote Programmer/Configurator
- Panel Mounting kit

Displays available in the Large Digit Range

No.	LED digit size	Number of digits	No.	"FLIP" digit size	Number of digits
1	38mm (1.5")	6	6	39mm (1.5")	4
2	45mm (1.8")	5	7	39mm (1.5")	6
3	57mm (2.3")	4	8	100mm (4")	4, 5 and 6
4	100mm (4")	4 and 6	Other sizes and styles of display are under development		
5	200mm (8")	4			



LD57MM-1.2-0

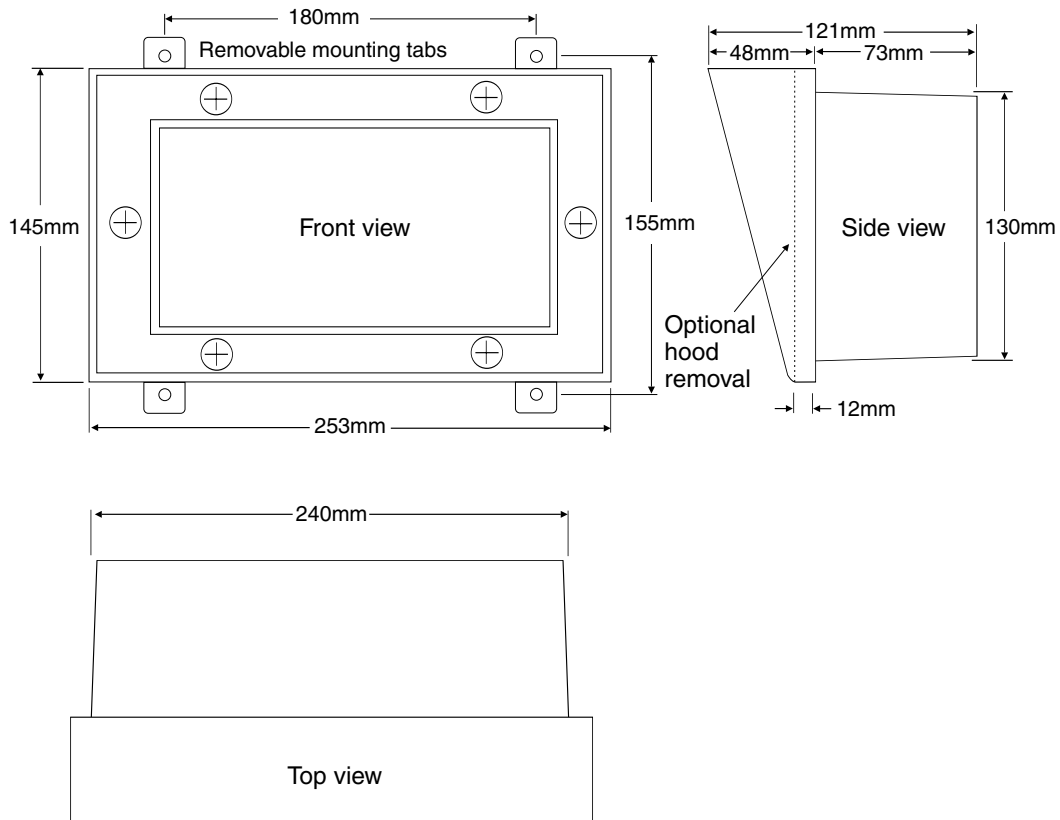
AMALGAMATED INSTRUMENT CO PTY LTD

ACN: 001 589 439

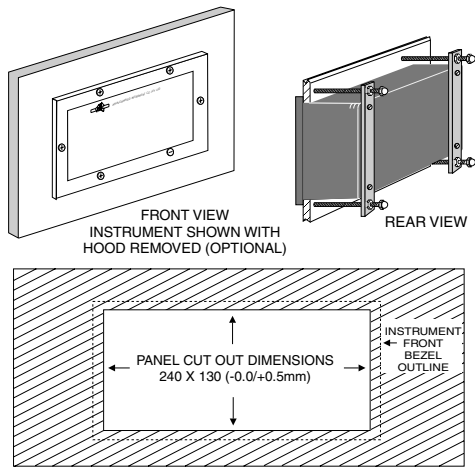
Unit 5, 28 Leighton Place Hornsby
NSW 2077 AUSTRALIA

Telephone: +61 2 9476 2244
Facsimile: +61 2 9476 2902

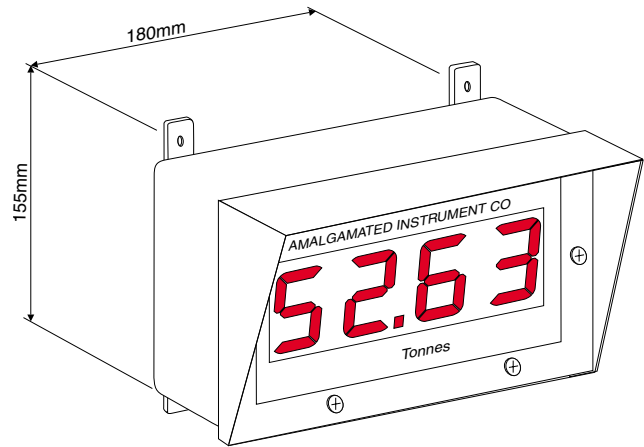
e-mail: sales@aicpl.com.au
Internet: www.aicpl.com.au



Enclosure Dimensions



Panel Mounting Cut out when using optional kit



Hole centres for wall mounting

Weight: 1.6kg

Select from list below to access brochure for your specific application or input requirement.

Analog Input Models

- DC Analog Input:
 - Process 4-20mA/0-100mV ... 0-100V or slidewire
 - Totaliser 4-20mA/0-100mV ... 0-100V
 - Lineariser 4-20mA/0-100mV ... 0-100V
- Load cell/pressure sensor, 4 or 6 wire type
- Temperature
 - RTD Pt100 or Pt1000
 - Thermocouple B, E, J, K, N, R, S or T

Digital Input Models

- Pulse Input - Ratemeter/Totaliser
- BCD/Binary/Gray Code
- Serial Data Input
 - RS232
 - RS485
 - Serial current loop
 - Synchronous Serial Interface (SSI)
- Real Time Clock
- Timer (switch, pulse input)