

Economical Large Digit Display

LD4-AI True RMS AC Current

4 x 57mm high LED digits



Features

- 57mm high digits (visible to 25m)
- True RMS measurement
- Displays in engineering units (scaleable)
- High brightness LED display
- Pushbutton calibration and setup item Digital filter improves stability. Uses weighted average method to reduce effects of short term interference.
- 2 alarm/control relay outputs. The relays can be configured with high and/or low trip points and for normally open or normally closed operation. Relay trip time and reset delay times can also be set if required.
- Remote input to perform special functions e.g. brightness level switching, high/low memory, peak hold, display hold, setpoint only access, security lockout, tare, zero or calibration scaling switching.
- High and low limits can be set for visual alarm - can be set to cause display to flash the value on the display or to display error message "or"
- Rugged, weatherproof, IP65 rated housing
- 2 year guarantee
- Optional panel mounting kit and hood removal.

Description

Model LD4-AI is a high visibility AC Current display. The instrument accepts inputs of 0-5 AMPS AC with the measurement being true RMS. From these inputs the display can be scaled to read in engineering units.

High brightness red LED displays are used to achieve good visibility, even in areas with high ambient light levels.

The instruments feature flexible pushbutton scaling and programming with "on display" messages being used to assist in setting up.

Each instrument is supplied with a two control/alarm setpoint relays.

The programmable digital filter can be used to improve stability by smoothing out short term interference.

An external input is configurable to perform one of various functions e.g. brightness level switching, high/low memory, peak hold, display hold, setpoint only access or security lockout.

The display is housed in a robust industrial IP65 enclosure.



LD4AI-2.4-0

AMALGAMATED INSTRUMENT CO PTY LTD

ACN: 001 589 439

Unit 5, 28 Leighton Place Hornsby
NSW 2077 Australia

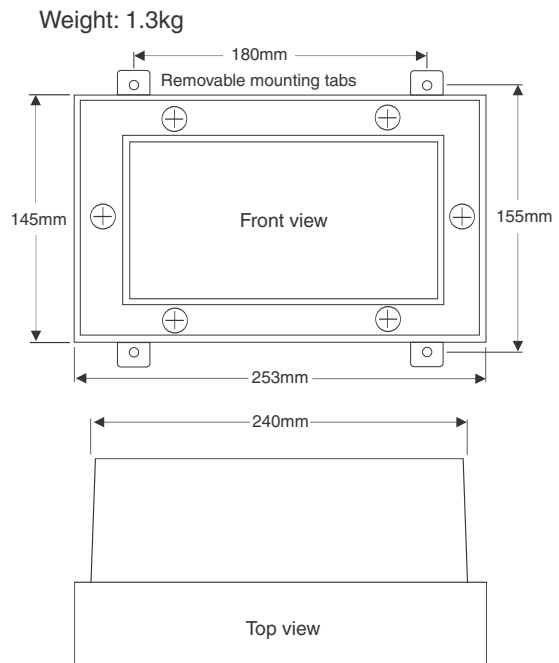
Telephone: +61 2 9476 2244
Facsimile: +61 2 9476 2902

e-mail: sales@aicpl.com.au
Internet: www.aicpl.com.au

Technical Specifications

Input Types:	0-5 Amps AC
Accuracy:	0.25% of full scale when calibrated
Sample rate:	4 per second
ADC resolution:	1 in 20,000
Microprocessor:	MC68HC11 CMOS
Ambient Temp:	-10°C to 60°C
Humidity:	5% to 95% non condensing
Outputs:	2 x setpoint relays, form A, rated 5A at 240VAC (resistive load)
Power Supply:	See order code table (type is factory configured)
Power consumption:	AC supply, 15VA max. DC supply, depends on supply voltage, typically 500mA (2Apeak) for 24V using non isolated power supply

Dimensions



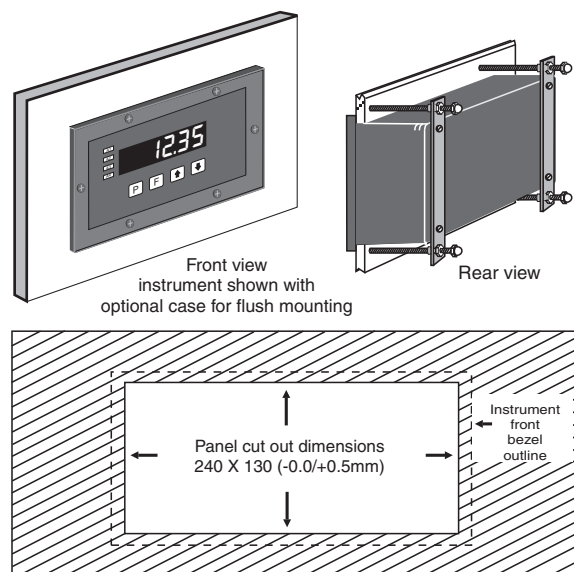
Order Codes

Order Code	Display	Supply Voltage
LD4-AI-240-574	4 x 57mm red LED	240VAC
LD4-AI-110-574	4 x 57mm red LED	110VAC
LD4-AI-DCN-574	4 x 57mm red LED	15-24VDC non isolated
LD4-AI-DC-574	4 x 57mm red LED	12-48VDC isolated

Options

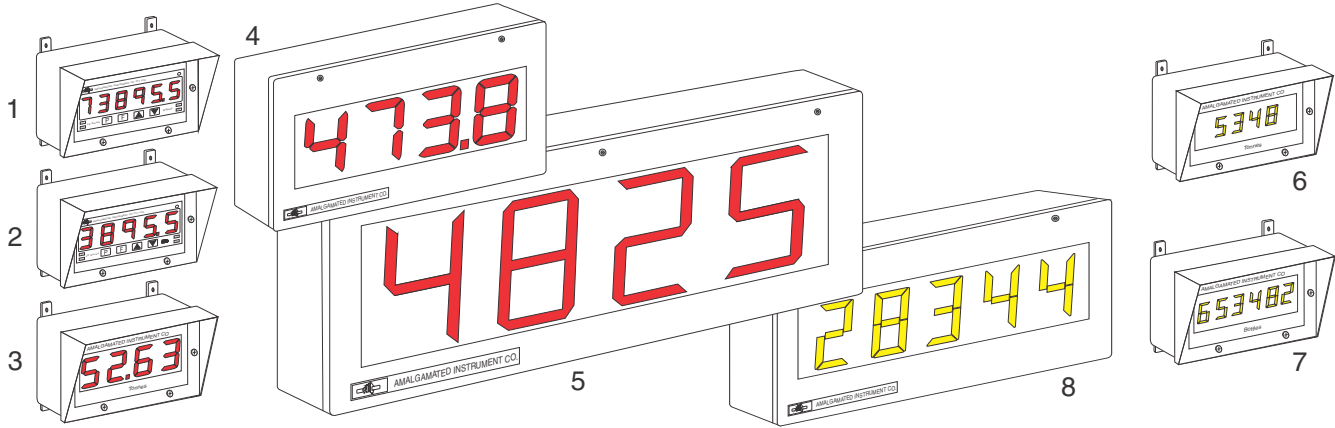
Option Code	Description
LD-MTG-PM-KIT	Panel mount kit incl brackets & screws
LD-HOOD-REMOVAL	Front hood removal

Panel Mounting Options



LD4AI-2.4-0

Displays available in Large Digit Series



No.	LED digit size	No of digits	No.	"FLIP" digit size	No of digits
1	38mm	6	6	39mm - selected models	4
2	45mm	5	7	39mm - selected models	6
3	57mm or 58mm	4	8	100mm	4, 5 and 6
4	100mm	4 and 6	38, 58, 100 and 200mm LED displays		
5	200mm	4	are available in red, green, amber or white		

Applications/input types available with large digit display models

- Analog input, process transmitters etc. $\pm 20\text{mA}$, 4-20mA or $\pm 2.5\text{VDC}$ or $\pm 25\text{VDC}$
- Pulse input, rate, total, count, grand total (encoders, switches, proximity sensors etc.)
- Temperature - RTD, thermocouple, 4-20mA
- Weighing - 4 or 6 wire mV/V output loadcells
- Pressure measurement - 4 or 6 wire mV/V pressure sensors or 4-20mA analog transducers
- Liquid level measurement - 4 or 6 wire mV/V pressure sensors or 4-20mA analog transducers
- Serial input - RS232, RS485, Serial current loop for slave displays etc.
- Synchronous Serial Interface (SSI) for high accuracy position etc. measurement
- Binary, BCD or Gray Code input
- Real Time clock with alarms
- Multifunction timer - elapsed time, stopwatch, run time etc.

LD4AI-2.4-0

AMALGAMATED INSTRUMENT CO PTY LTD

ACN: 001 589 439

Unit 5, 28 Leighton Place Hornsby
NSW 2077 Australia

Telephone: +61 2 9476 2244
Facsimile: +61 2 9476 2902

e-mail: sales@aicpl.com.au
Internet: www.aicpl.com.au