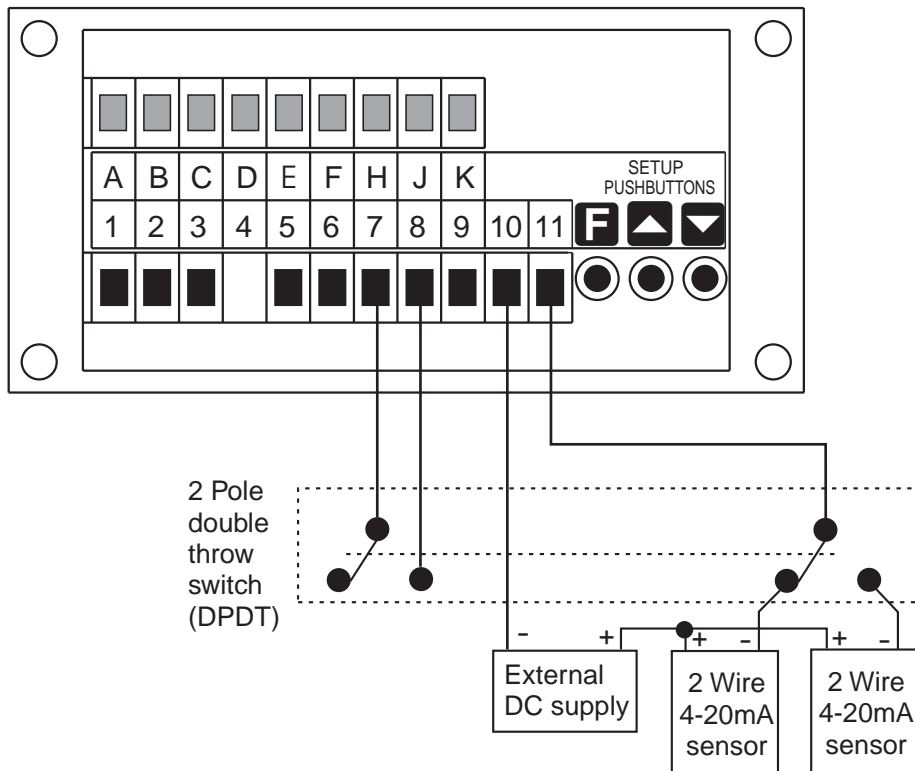


Application Note No: AN37

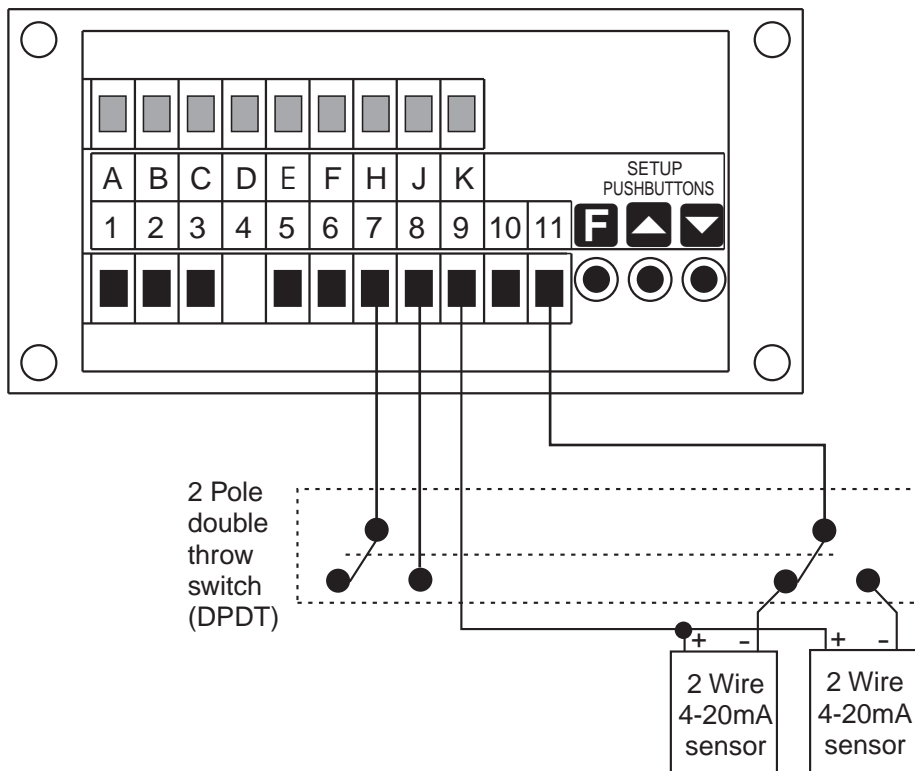
Connecting 2 analog transducers to a single analog display

Connection of two switched sensors to one PM4-IV input. Note: R.INP function must be set to CAL.S in order to switch calibration when sensor is switched

Example 1: using external DC supply to power sensors



Example 2: using internal DC transducer supply (where available) to power sensors



IV2INPUT-1.0-0