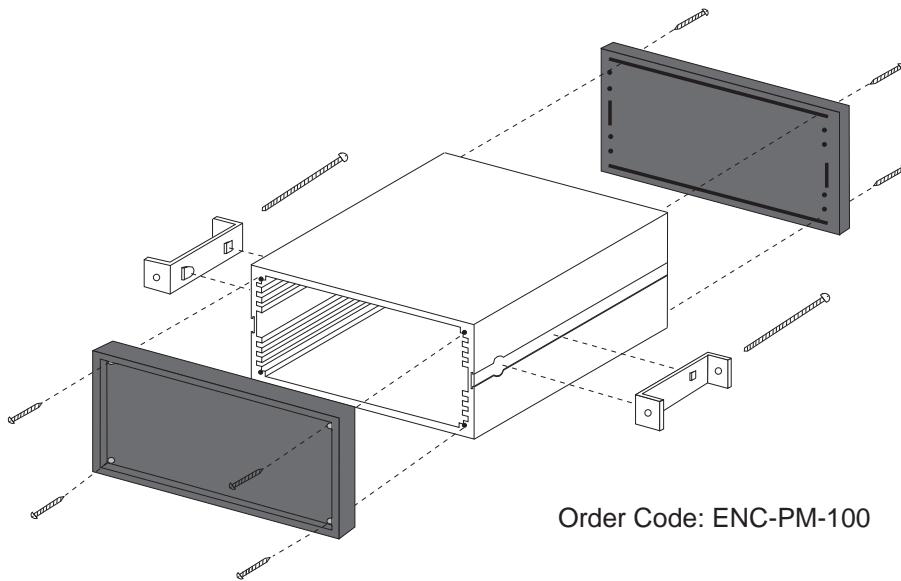


# Panel Mount Enclosure



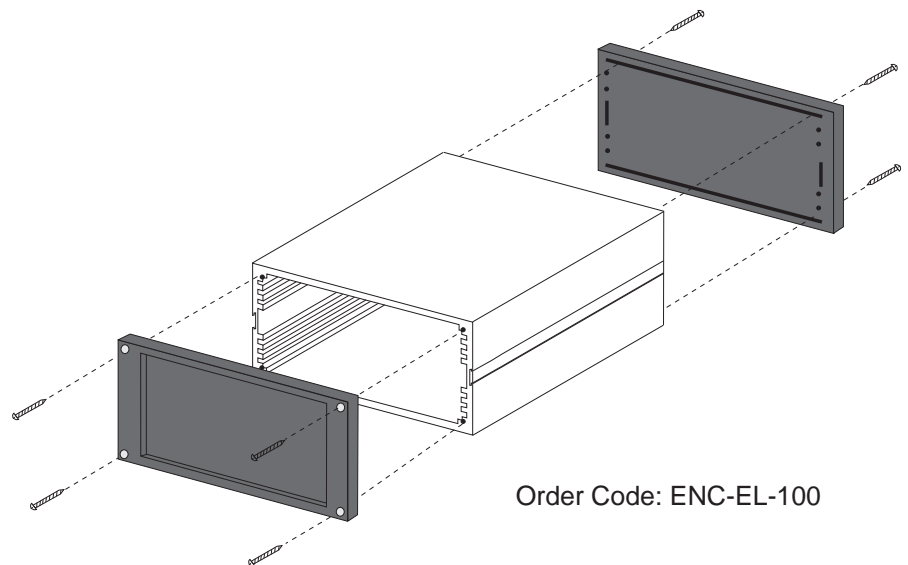
- Standard DIN Case
- Rugged Construction
- Easily Sealed
- Suitable for Projects/Test Gear
- Industrial Quality
- Standard extrusion length of 100mm
- Other lengths available
- Fast Delivery
- Competitive Prices
- Australian Made

Order Code: ENC-PM-100

AIC's Panel mount enclosure is suitable for housing instruments or electronic equipment e.g. Digital Displays, Alarm Modules, Thermocouple Switches etc. The aluminium extrusion is available in a standard length of 100mm, for custom sizes consult AIC. The enclosure comprises an aluminium extrusion section, plastic front and rear panel, eight securing screws and two mounting clips. Front Bezel Size: 48mm x 96mm. Panel Cut Out: 45mm x 92mm. Suitable for mounting PCBs or other boards with a width of 3.4" (86.5mm).

# Electronics Enclosure

AIC's electronics enclosure is suitable for housing instruments and electronic equipment e.g. Portable Test Gear, Computer Interfaces, Electronic Projects, Power Supplies etc. The aluminium extrusion is available in a standard length of 100mm, for custom sizes consult AIC. The enclosure comprises an aluminium extrusion section, plastic front and rear panel and eight securing screws. Case size: 44mm x 91mm x various lengths. Suitable for mounting PCBs or other boards with a width of 3.4" (86.5mm).



Order Code: ENC-EL-100

ENKIT-1.1-0

## AMALGAMATED INSTRUMENT CO PTY LTD

ACN: 001 589 439

Unit 5, 28 Leighton Place Hornsby  
NSW 2077 AUSTRALIA

Telephone: +61 2 9476 2244  
Facsimile: +61 2 9476 2902

e-mail: [sales@aicpl.com.au](mailto:sales@aicpl.com.au)  
Internet: [www.aicpl.com.au](http://www.aicpl.com.au)