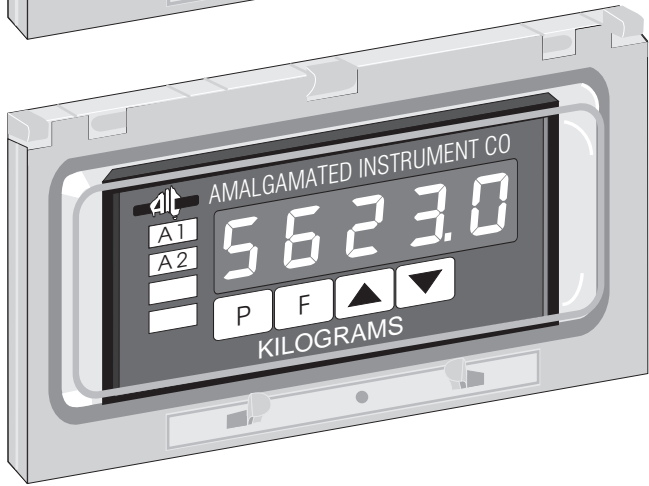
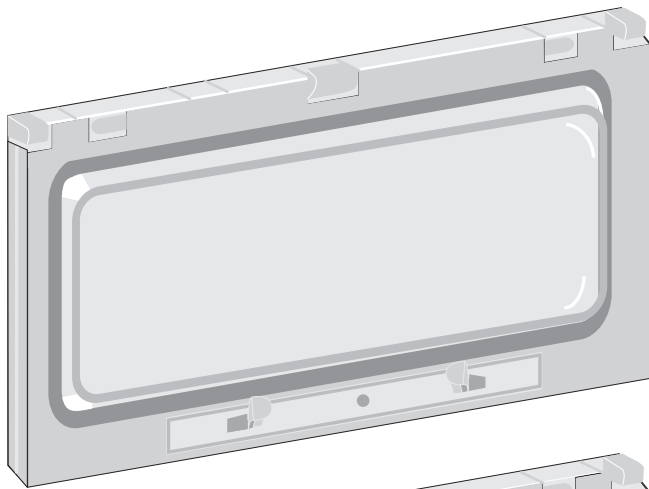
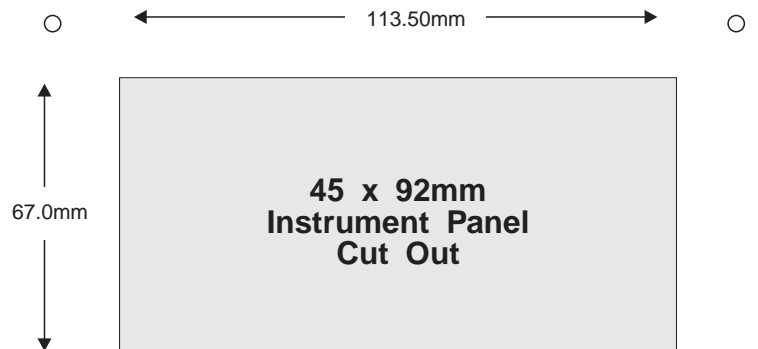
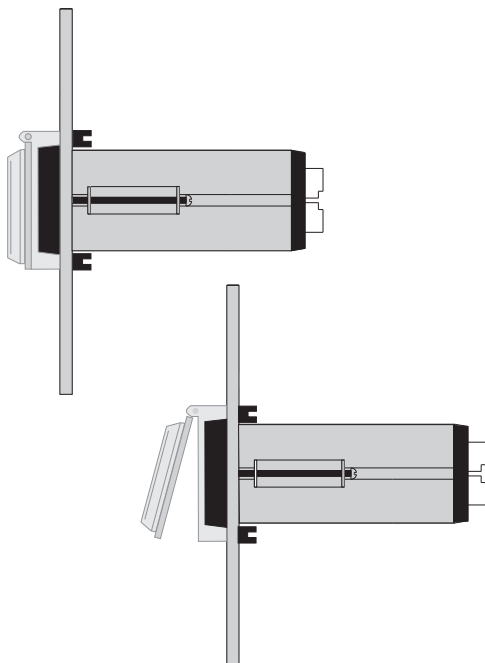


IP65 Weatherproof Access Cover for Panel Meters



- Suits 48 x 96mm bezel sizes
- Tough, clear polycarbonate plastic
- IP65 rating protects against dust and water
- Hinged flap allows access to keypads
- Allows instrument to be removed without losing panel seal
- Easy to install:
Held in place by 4 screws
- Drilling template supplied
- Dimensions 130 x 78 x 25mm



Drill 4 x 3.5mm holes equally spaced around panel cut out. Make sure surface is clean and free from burrs for 'O' ring panel seal contact. Fit 4 x self tapping screws (supplied) through strengthening bar to secure access cover.

ORDER CODE: COVER-IP65

ENCOV65-1.1-0

AMALGAMATED INSTRUMENT CO PTY LTD

ACN: 001 589 439

Unit 5, 28 Leighton Place Hornsby
NSW 2077 AUSTRALIA

Telephone: +61 2 9476 2244
Facsimile: +61 2 9476 2902

e-mail: sales@aicpl.com.au
Internet: www.aicpl.com.au