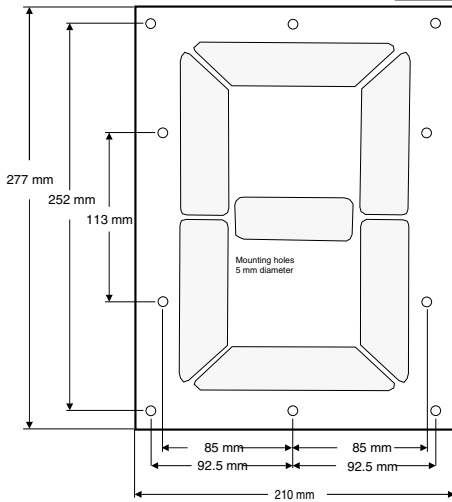
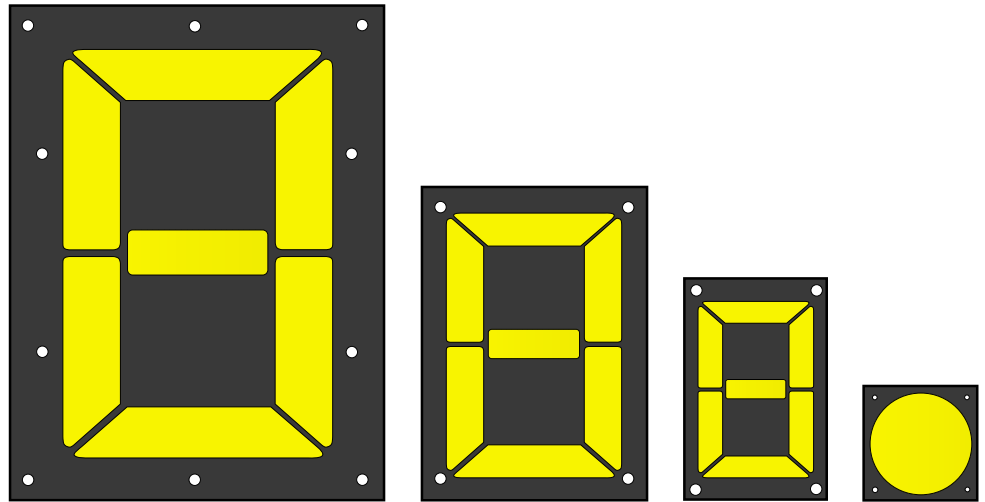


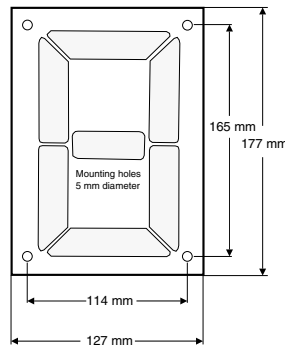
Electromagnetic "flip" digits and dots

Features

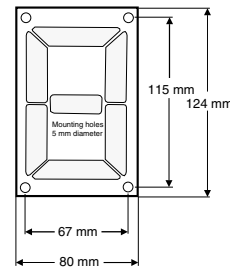
- Rugged construction
- Standard vane colour - high reflective yellow
- Other vane colours by special order
- Low power consumption
- Easy to install
- High visibility
- Positive action



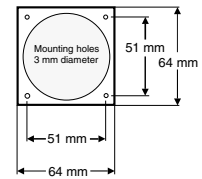
230 mm digit
(9" digit)



150 mm digit
(6" digit)



100 mm digit
(4" digit)



55 mm dia dot
(2.2" diameter)

	Digit Size			Dot Size (dia.)
	230 mm nom. (h) x 152 mm nom. (w)	150 mm nom. (h) x 89 mm nom. (w)	100 mm nom. (h) x 61 mm nom. (w)	55 mm nom. (dia)
ORDER CODE	DISP-225-46YC	DISP-150-32YC	DISP-100-32YC	DISP-D55-32YC
Operating voltage	12VDC	12VDC	12VDC	12VDC
Operating current	min 0.45 Amp	min 0.375 Amp	min 0.3 Amp	min 0.375 Amp
Coil resistance (std)	46Ω	32Ω	32Ω	32Ω
Base plate size (h x w)	277 mm x 210 mm	177 mm x 127 mm	124 mm x 80 mm	64 mm x 64 mm
Overall digit depth	51 mm	51 mm	51 mm	51 mm
Materials	ABS, glass filled ABS & polycarbonate	ABS, glass filled ABS & polycarbonate	ABS, glass filled ABS & polycarbonate	ABS, glass filled ABS & polycarbonate
Pulse length	200-220 msec	200-220 msec	200-220 msec	200-220 msec
Temperature range	-20°C to 75°C	-20°C to 75°C	-20°C to 75°C	-20°C to 75°C
Viewing distance & angle	100 m 70° either side	80 m 70° either side	50 m 70° either side	80 m 70° either side
Electrical Connections	16 position plug cable length 750 mm	16 position plug cable length 750 mm	16 position plug cable length 200 mm	3 position plug cable length 750 mm