

# TBPS Series Conductivity Cells



## Description

The TPBS cells are available in probe constants of 0.1 and 1.0. The 5m cable is integrated into the encapsulated cell. This low cost cell is ideal for installation into plastic flow lines and is commonly used in water purification systems. The electrodes are made from high density carbon.

The standard inbuilt temperature sensor is an Pt100 RTD which is compatible with AIC conductivity monitors. Other sensor types may be available to order. The maximum operational temperature of these cells is 50°C and the maximum operating pressure is 7 bar. The cell body is moulded from polypropylene to ensure high strength and excellent electrical resistant properties. The sensor is epoxy filled to prevent leakage of the measured sample into the cell body.

The cell is available in K=0.1 and K=1 cell constants.

The measuring range of each of these cell constants (when used with AIC conductivity meters) is:

K = 0.1 conductivity from 0 to 1,250 uS/cm

K = 1.0 conductivity from 10 to 12,500 uS/cm

## Wiring colour code:

Red - temperature sensor, Green (or Black) - temperature sensor

Yellow (or white) - conductivity electrode, Blue - conductivity electrode

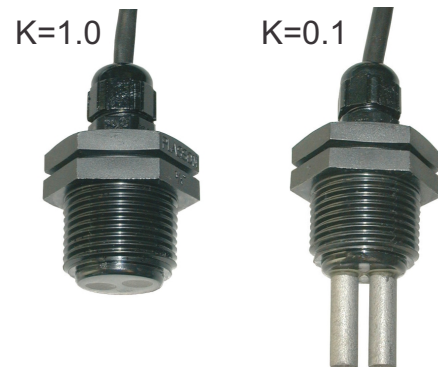
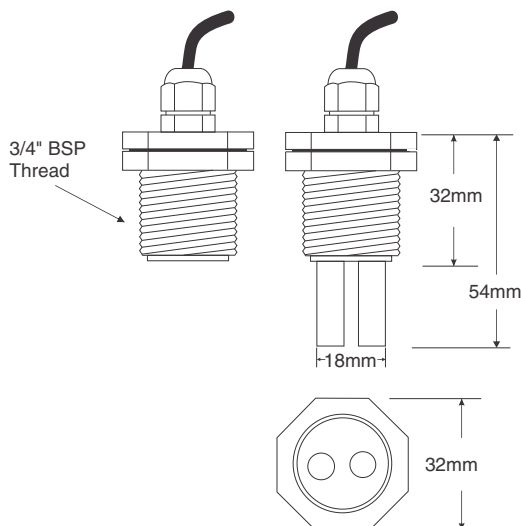
**Temperature range:** Up to 50°C

**Pressure:** Max. 7 bar

## Order Codes:

**P-K=0.1TBPSRT5M** - for cell K=0.1,  $\frac{3}{4}$ " BSP/NPT thread, Pt100 RTD temperature sensor, 5 m cable

**P-K=1.0TBPSRT5M** - for cell K=1.0,  $\frac{3}{4}$ " BSP/NPT thread, Pt100 RTD temperature sensor, 5 m cable



CONDTBPS-1.0-0

**AMALGAMATED INSTRUMENT CO PTY LTD**

ACN: 001 589 439

Unit 5, 28 Leighton Place Hornsby  
NSW 2077 Australia

Telephone: +61 2 9476 2244  
Facsimile: +61 2 9476 2902

e-mail: sales@aicpl.com.au  
Internet: www.aicpl.com.au