

# Delta Ohm Conductivity Transmitter/Monitor

## Description

The Delta Ohm conductivity transmitter measures conductivity in the range 0.00 to 199.9 mS/cm with the display auto-ranging to uS/cm below 2.00 mS (2000 uS). The 4-20mA loop output can be adjusted anywhere over the display range. The instrument can be loop powered or powered from 240VAC. Also if being used as a monitor only the instrument can be DC powered.

The instrument has provision for both a conductivity cell and Pt100 (100Ω RTD) temperature sensor input for automatic temperature compensation. A default temperature can be manually set if no temperature sensor is used. Two form C (changeover) voltage free relay outputs are provided for alarm or on/off control. All calibration and setup functions are set via the instruments front pushbuttons. The instrument is rated to IP64.

## Specifications

Measuring range:	Autoranging uS or mS, 0.00 to 199.9 mS/cm (0.0 to 1999 uS/cm on uS range)
Cell constant:	0.01 to 199.9 programmable
Output:	4-20mA proportional to conductivity
Display:	12mm high 3½ digit displays for temperature and conductivity
Transducer energisation:	10-1000mV at 200-1600Hz (levels depend on conductivity)
Input impedance:	>100 MΩ
Max. cable length:	<10 metres unscreened or <50 metres screened (2nF cond., 5nF temperature)
Conductivity accuracy:	0.5% of reading ±2 digits ±0.01% per °C drift in temperature
Temperature accuracy:	0.2°C ±1% of reading ±0.01% per °C drift in temperature
4-20mA accuracy:	0.5% of reading ±0.02mA
Temperature range:	-50.0 to 199.9°C automatic or manually set
Temperature coefficient:	Programmable from 0.00 to 4.00%/°C
Relays:	2 off form C, voltage free, rated at 3A/230VAC into resistive load
Power supply:	240VAC (48-62Hz, 1VA) or DC or loop powered (10 to 35VDC)
Dimensions:	120mm (h) x 121.5mm (w) x 56mm (d) (cable glands PG7 21mm)
Protection class:	IP64

## Features

- Operates as a transmitter and monitor
- 240VAC or 2 wire loop powered or may be DC powered and used as a monitor only
- Pushbutton calibration & setup
- Automatic or manual temperature compensation
- Conductivity + temperature + relay status display
- Temperature display in °C or °F
- Two changeover relays
- 0-199.9 mS/cm measuring range
- Range indicator in mS/cm or uS/cm (autoranging)
- 4-20mA output can be scaled over entire range
- Cell input is galvanically isolated from the 4-20mA output
- Accepts 2 or 4 wire RTD (Pt100)
- LCD display with 12mm high digits
- IP64 environmental rating
- CE approved

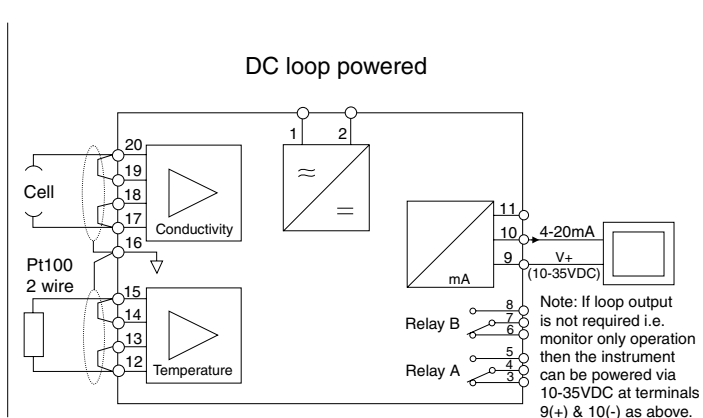
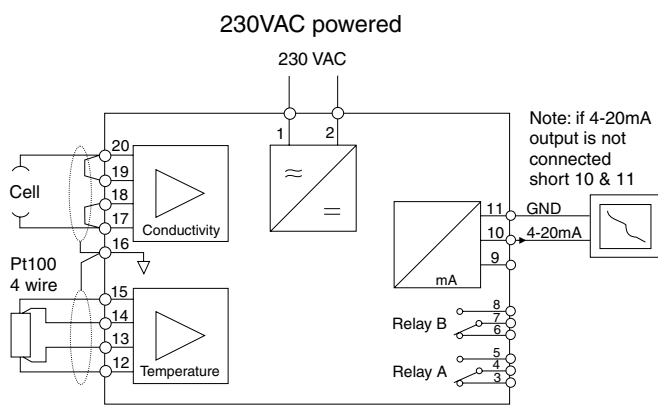


**Order Code: TX-DO9766T-230V**

**Transmitter interior showing screw connectors:**



**Electrical connections:**



**Dimensions:**

