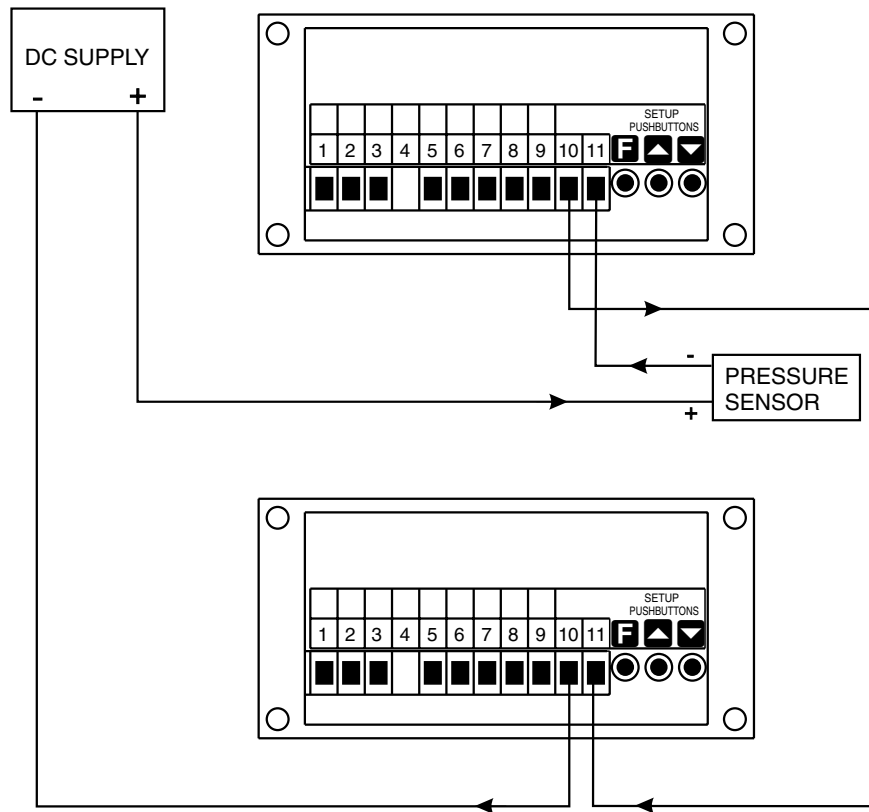


Application Note: Number AN19

Connecting 1 x 4-20mA transducer to 2 x PM4 monitors

Using external transmitter supply



Using PM4 standard unregulated transmitter supply (AC powered PM4 models only)

